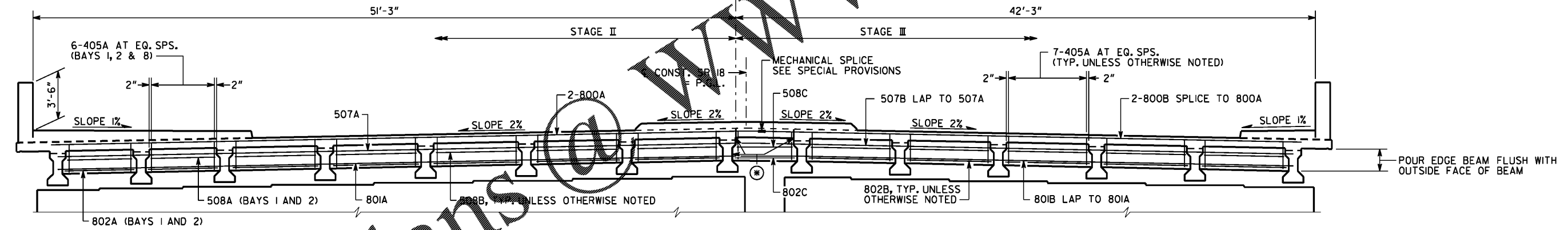
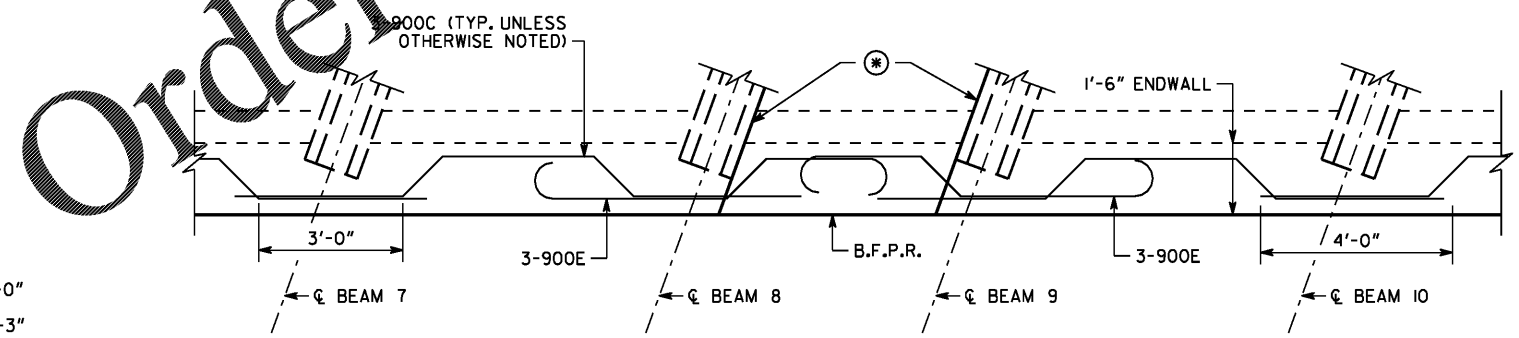


SECTION THRU ENDWALL

* CONSTRUCTION JOINT



SECTION THRU EDGE BEAM
BEARINGS PADS NOT SHOWN



SECTION A-A
SCALE: 1/8" = 1'-0"

NOTES

1. LAP 507 BARS A MINIMUM OF 3'-0"
2. LAP 801 BARS A MINIMUM OF 4'-3"
3. LAP 900 BARS A MINIMUM OF 3'-0"

Order Plans @ WWW.LDILine.com

BRIDGE NO. 1													
GEORGIA DEPARTMENT OF TRANSPORTATION ENGINEERING DIVISION-OFFICE OF BRIDGES AND STRUCTURES													
DECK SECTIONS - SPANS 1 AND 2 SR 18 OVER LONG CANE CREEK TROUP COUNTY 0013999													
SCALE: 1/4" = 1'-0" UNLESS OTHERWISE NOTED NOVEMBER 2020													
REVISIONS DATE	<table border="1" style="width: 100%; border-collapse: collapse;"> <tr> <td style="width: 20%;">DESIGNED</td> <td style="width: 20%;">D.V.W.</td> <td style="width: 20%;">CHECKED</td> <td style="width: 20%;">S.A.W.</td> <td style="width: 20%;">REVIEWED</td> <td style="width: 20%;">D.L.C./S.K.G.</td> </tr> <tr> <td>DRAWN</td> <td>D.L.R.</td> <td>DESIGN GROUP</td> <td>DPD</td> <td>APPROVED</td> <td>W.M.D.</td> </tr> </table>	DESIGNED	D.V.W.	CHECKED	S.A.W.	REVIEWED	D.L.C./S.K.G.	DRAWN	D.L.R.	DESIGN GROUP	DPD	APPROVED	W.M.D.
DESIGNED	D.V.W.	CHECKED	S.A.W.	REVIEWED	D.L.C./S.K.G.								
DRAWN	D.L.R.	DESIGN GROUP	DPD	APPROVED	W.M.D.								

INFRASTRUCTURE CONSULTING & ENGINEERING
 4940 PEACHTREE INDUSTRIAL BLVD., SUITE 310
 NORCROSS, GEORGIA 30071

DRAWING NO. 35-0008
 BRIDGE SHEET 8 OF 34

1 INCH WHEN PRINTED FULL SIZE