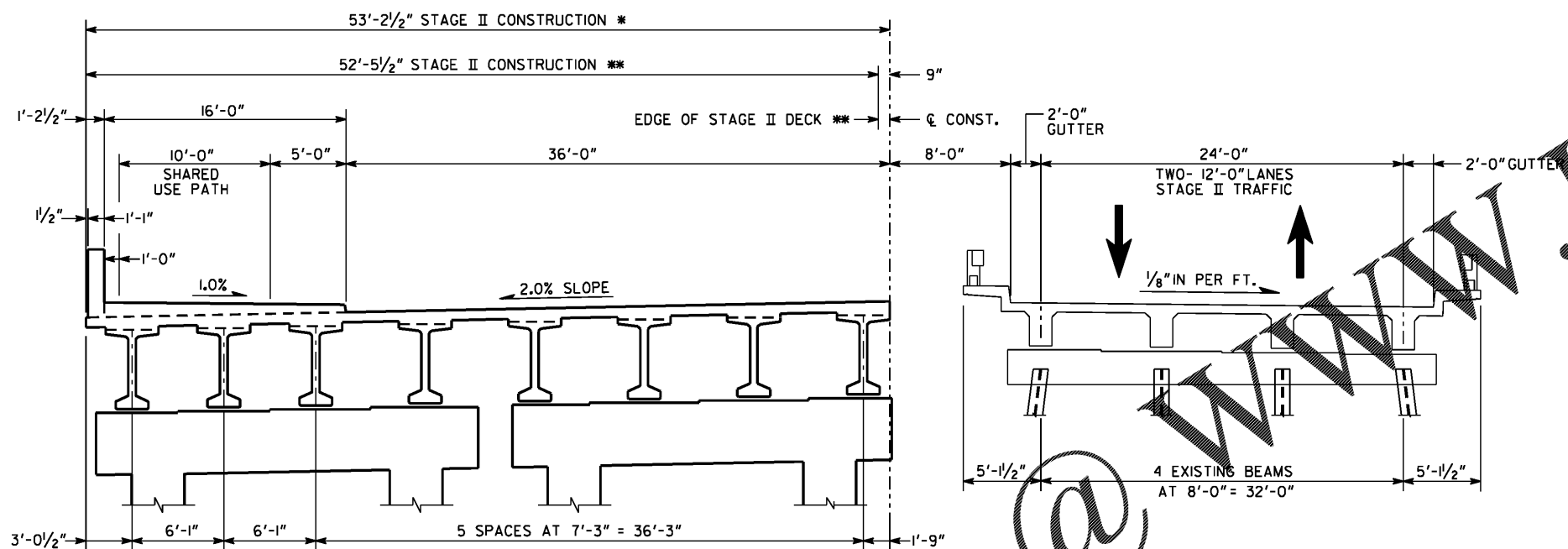


DECK SECTION - STAGE II

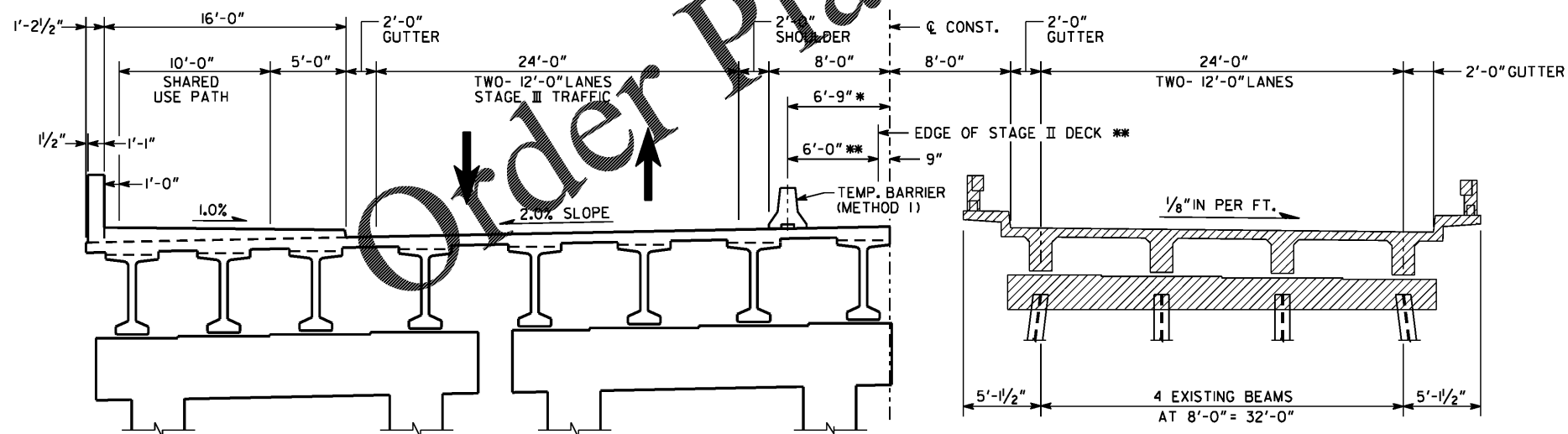
— DENOTES PORTION OF EXISTING BRIDGE TO BE REMOVED



NOTE: SPANS 3 AND 4 SHOWN. SEE DECK SECTIONS FOR SPAN 1 AND 2 BEAMS.

\* - SPANS 3 AND 4  
\*\* - SPANS 1 AND 2

DECK SECTION - STAGE II



DECK SECTION - STAGE III

CONSTRUCTION SEQUENCE

- STAGE I:  
SEE ROADWAY PLANS.
- STAGE II:  
1. SHIFT AND MAINTAIN TWO 12'-0" LANES OF TRAFFIC ON SOUTH EXISTING BRIDGE. REMOVE NORTH EXISTING BRIDGE.  
2. CONSTRUCT THE NORTH PORTION OF NEW BRIDGE.
- STAGE III:  
1. PLACE THE TEMPORARY BARRIER ON THE NEW BRIDGE AS SHOWN. SHIFT AND MAINTAIN TWO 12'-0" LANES OF TRAFFIC ON THE NEW BRIDGE.  
2. REMOVE SOUTH SIDE EXISTING BRIDGE.

NOTE: COORDINATE THE AFOREMENTIONED SEQUENCE WITH ROADWAY OPERATIONS, SEE ROADWAY PLANS. IN LIEU OF THE ABOVE CONSTRUCTION SEQUENCE, THE CONTRACTOR MAY SUBMIT A PROPOSED CONSTRUCTION SEQUENCE FOR APPROVAL BY THE ENGINEER.

Order Plans @ WWW.LDLine.com

BRIDGE NO. 1

GEORGIA  
DEPARTMENT OF TRANSPORTATION  
ENGINEERING DIVISION-OFFICE OF BRIDGES AND STRUCTURES

CONSTRUCTION SEQUENCE  
SR 18 OVER LONG CANE CREEK  
TROUP COUNTY 0013999

SCALE: 3/16" = 1'-0"

NOVEMBER 2020

**INFRASTRUCTURE**  
CONSULTING & ENGINEERING  
4940 PEACHTREE INDUSTRIAL BLVD., SUITE 310  
NORCROSS, GEORGIA 30071

DRAWING NO.  
35-0003

BRIDGE SHEET  
3 OF 34

DATE	REVISIONS	BY

DESIGNED <b>SAW</b>	CHECKED <b>DVW</b>	REVIEWED <b>DLC/SKG</b>
DRAWN <b>SSD</b>	DESIGN GROUP <b>DPD</b>	APPROVED <b>WMD</b>

1 INCH WHEN PRINTED FULL SIZE