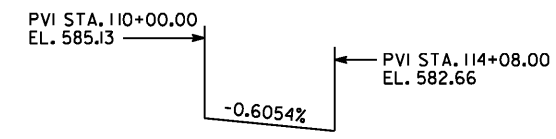
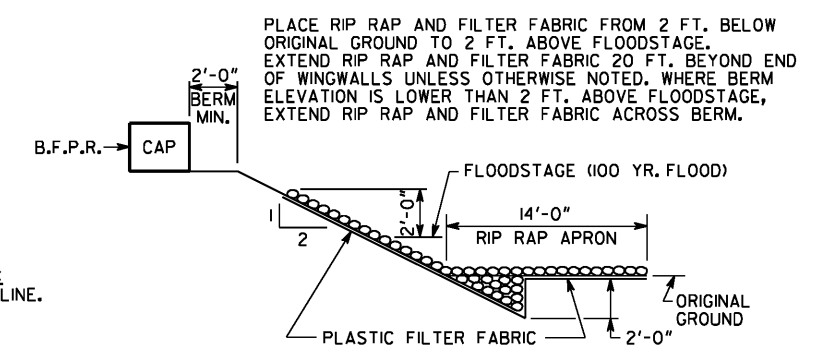


PLAN

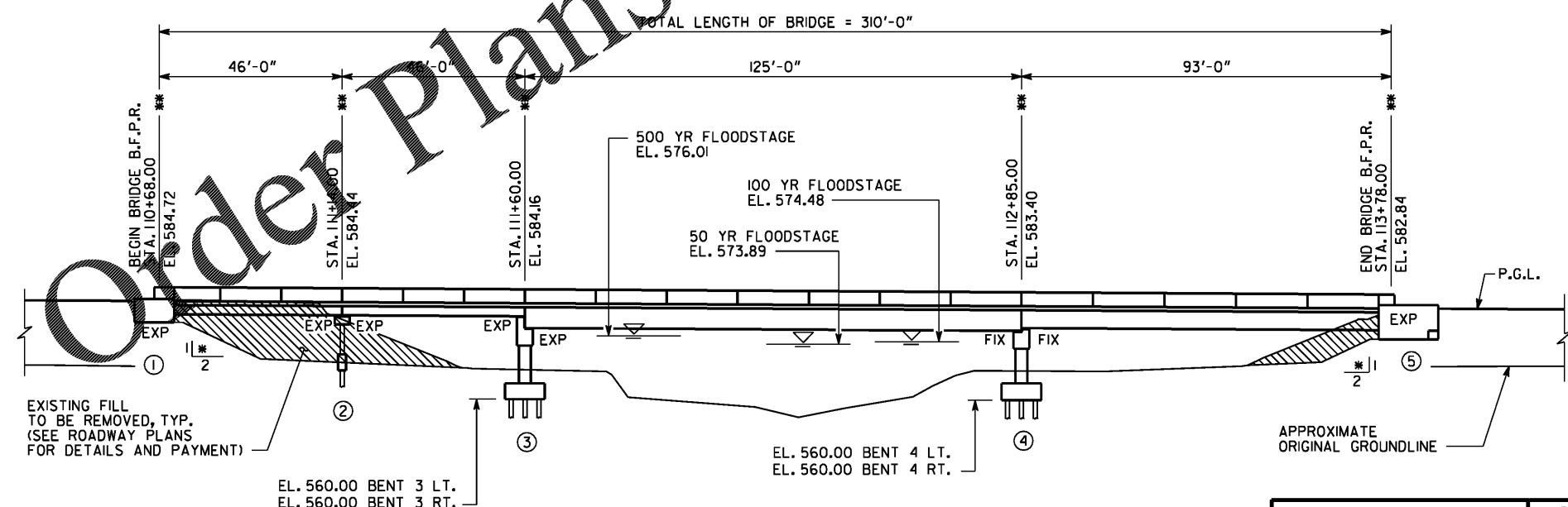


GRADE DATA

- NOTES:
- ALL BENTS ARE PARALLEL.
 - END BENT PILES NOT SHOWN.
- * SLOPE NORMAL TO END BENT.
- ** STATIONS SHOWN ARE AT THE INTERSECTION OF BRIDGE C AND B.F.P.R. OR C BENT. ELEVATIONS ARE PROFILE GRADELINE.



RIP RAP DETAIL
NO SCALE



ELEVATION



LEFT BRIDGE SERIAL NO. 285-0023-0
 LEFT BRIDGE I.D. NO. 285-00018D-001.34E
 RIGHT BRIDGE SERIAL NO. 285-0022-0
 RIGHT BRIDGE I.D. NO. 285-00018D-001.33E
 PROJECT P.I. NO. 0013999

BRIDGE NO. 1	
GEORGIA DEPARTMENT OF TRANSPORTATION ENGINEERING DIVISION-OFFICE OF BRIDGES AND STRUCTURES	
PLAN AND ELEVATION SR 18 OVER LONG CANE CREEK TROUP COUNTY 0013999	
SCALE: 1" = 20'-0" UNLESS OTHERWISE NOTED NOVEMBER 2020	
DESIGNED SAW	CHECKED DVW
DRAWN JNA	DESIGN GROUP DPD
REVIEWED DLC/SKG	APPROVED WMD

INFRASTRUCTURE
CONSULTING & ENGINEERING
4940 PEACHTREE INDUSTRIAL BLVD., SUITE 310
NORCROSS, GEORGIA 30071

DRAWING NO. 35-0001
BRIDGE SHEET 1 OF 34

1 INCH WHEN PRINTED FULL SIZE