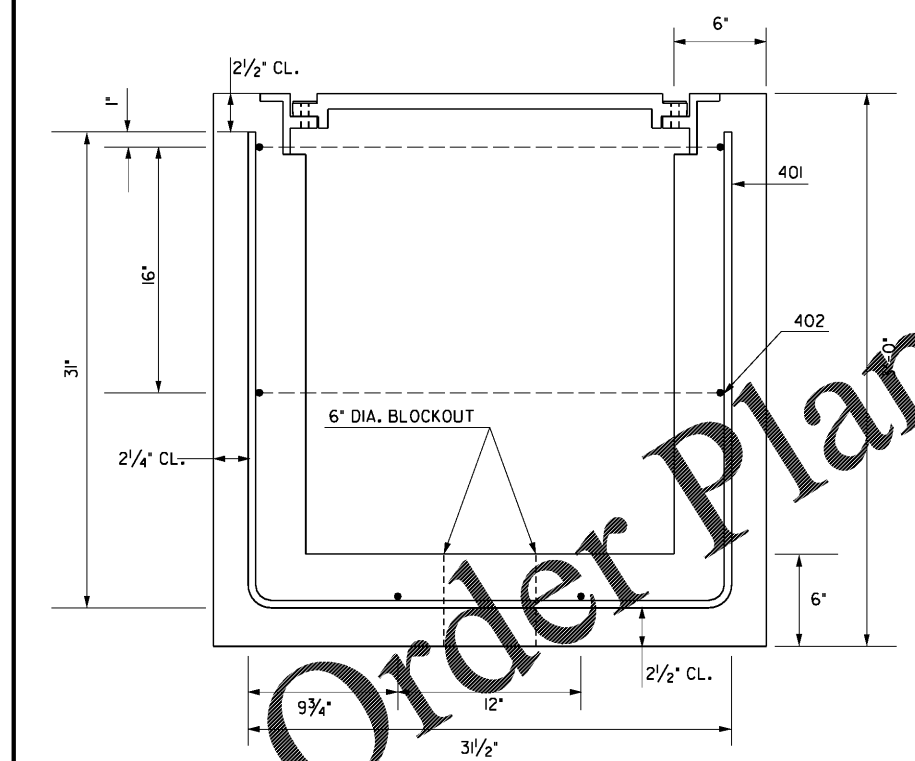
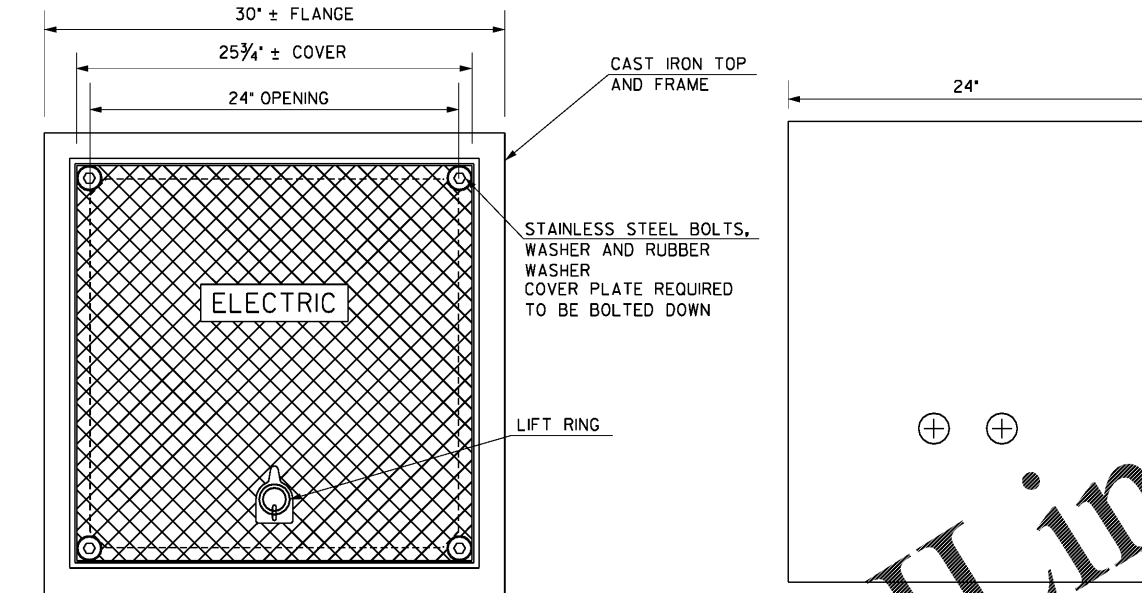


PLAN



ELEVATION

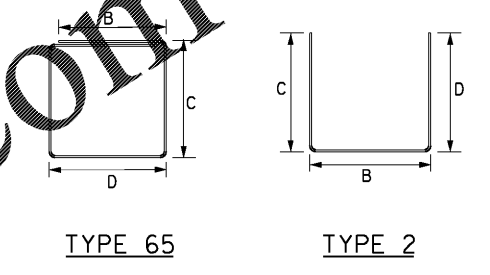


CAST IRON TOP AND FRAME  
STAINLESS STEEL BOLTS, WASHER AND RUBBER WASHER  
COVER PLATE REQUIRED TO BE BOLTED DOWN

LIFT RING

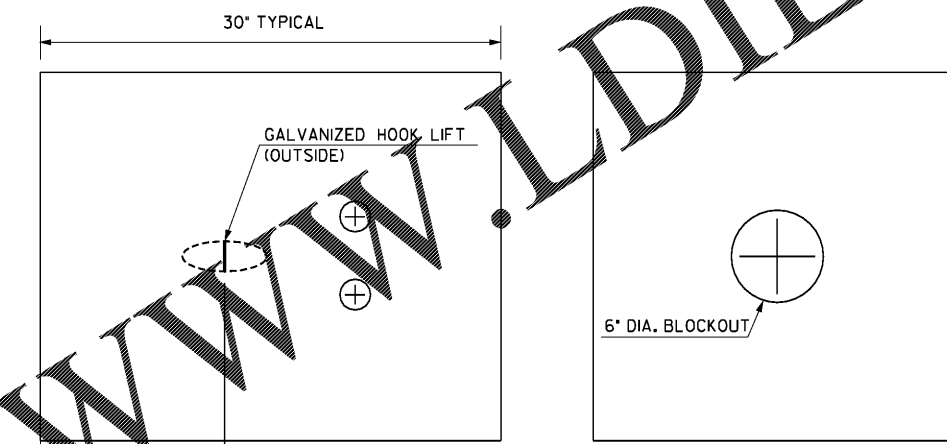
ELECTRIC

| BAR REINFORCEMENT DETAILS |     |          |            |      |   |           |           |           |
|---------------------------|-----|----------|------------|------|---|-----------|-----------|-----------|
| MARK                      | BAR | QUANTITY | LENGTH     | TYPE | A | B         | C         | D         |
| 401                       | #4  | 4        | 7'-9 1/2"  | 2    |   | 2'-7 1/2" | 2'-7"     | 2'-7"     |
| 402                       | #4  | 2        | 12'-2 1/2" | 65   |   | 2'-3 1/2" | 2'-6 1/2" | 2'-6 1/2" |

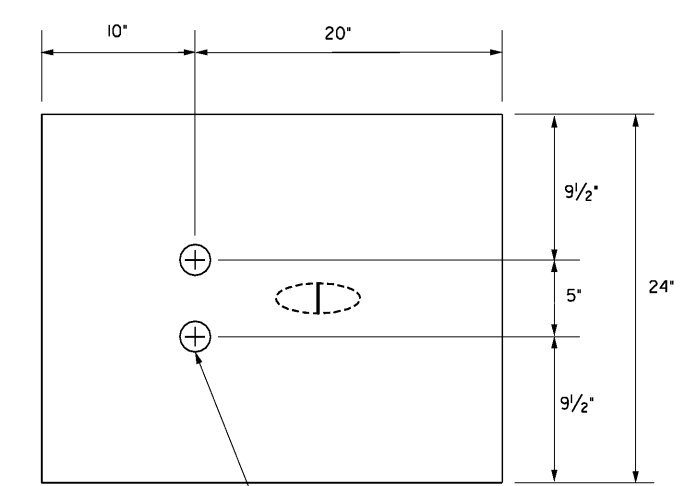


TYPE 65

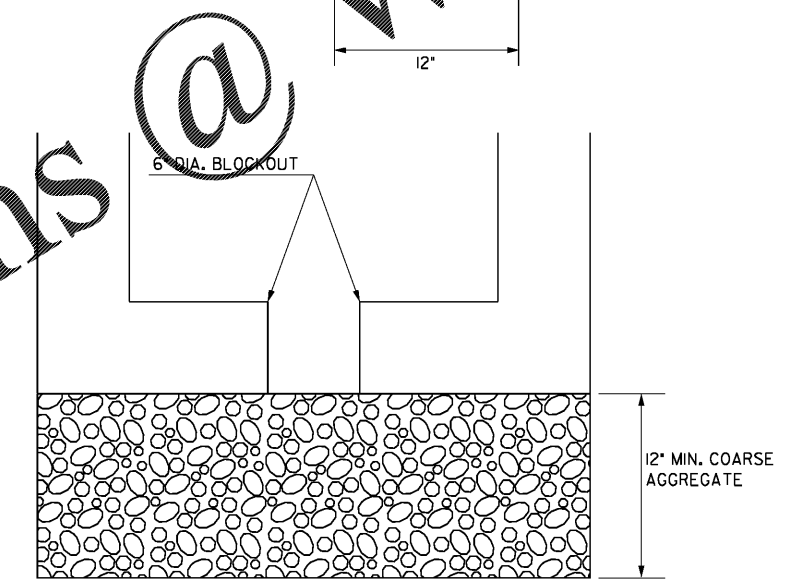
TYPE 2



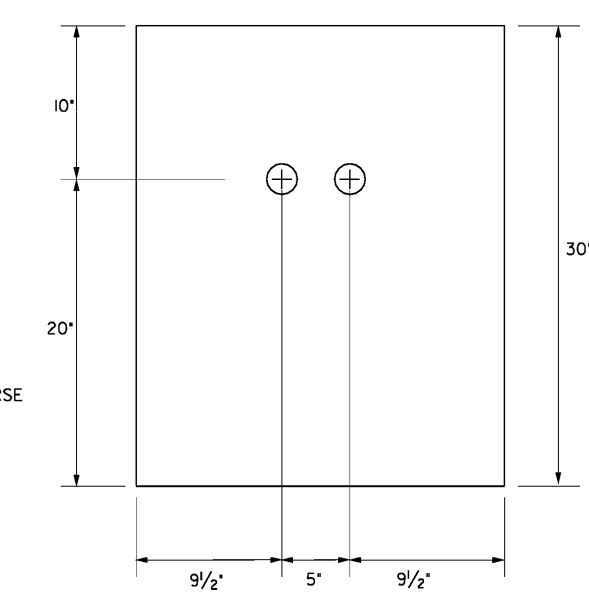
WALL FOLD DOWN



(8) 2" DIA HOLES TYPICAL 4 SIDES



DRAINAGE



| REINFORCEMENT |                      |
|---------------|----------------------|
| BASE SLAB     | #4 @ 12" EW (CTR)    |
| WALLS         | #4 @ 12" VERTICAL    |
|               | #4 @ 16" HORIZ (CTR) |

NOTE:

- 1) CAST IRON TOP AND FRAME MAY HAVE A DIFFERENT CROSS SECTION THAN WHAT IS SHOWN.
- 2) THERE SHALL BE NO CABLE SPLICING WITHIN PULL BOX. PULL BOX SHALL BE USED ONLY AS A CABLE PASS THROUGH.

Order Plans @



NOT TO SCALE

| REVISION DATES |  |
|----------------|--|
|                |  |
|                |  |
|                |  |
|                |  |
|                |  |
|                |  |
|                |  |
|                |  |
|                |  |
|                |  |

**LIGHTING PLANS**  
1-85 @ SR 18 & SR 18 @ SR 103

PULL BOX DETAILS

|              |       |             |
|--------------|-------|-------------|
| CHECKED:     | DATE: | DRAWING No. |
| BACKCHECKED: | DATE: | 25-0023     |
| CORRECTED:   | DATE: |             |
| VERIFIED:    | DATE: |             |