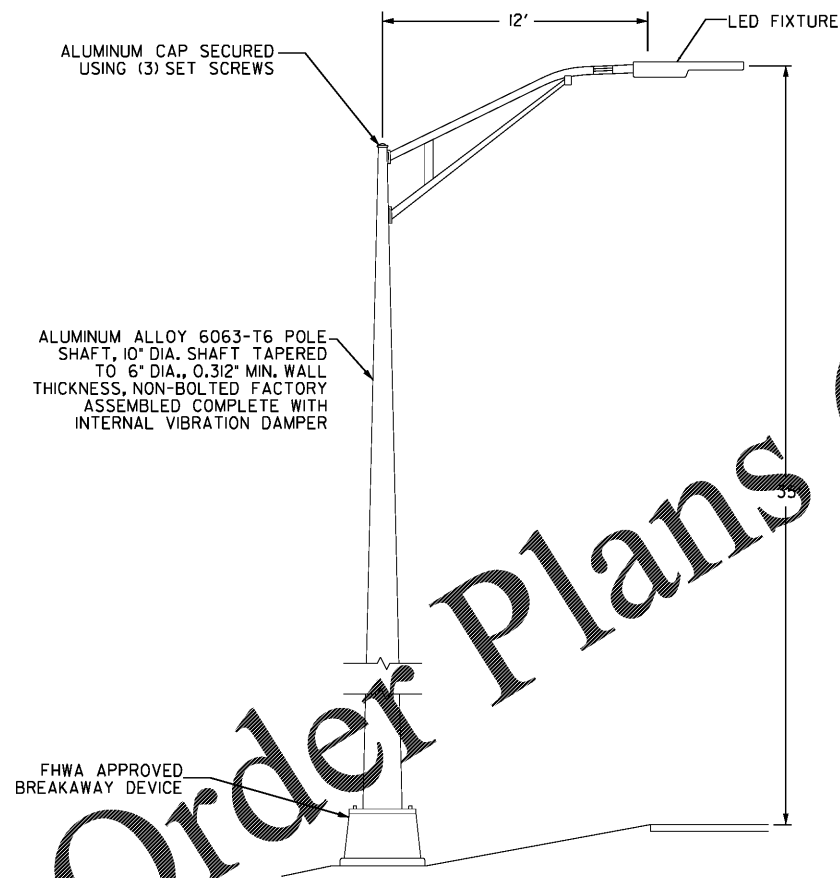
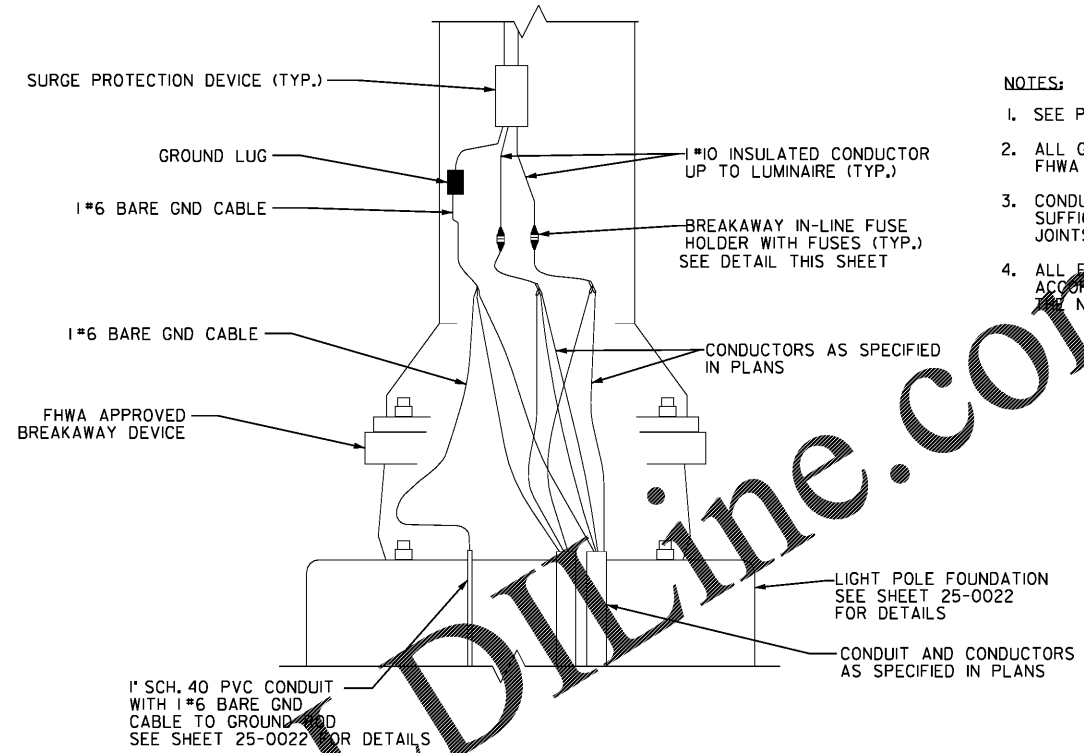


ISOLATED JOINT DETAIL



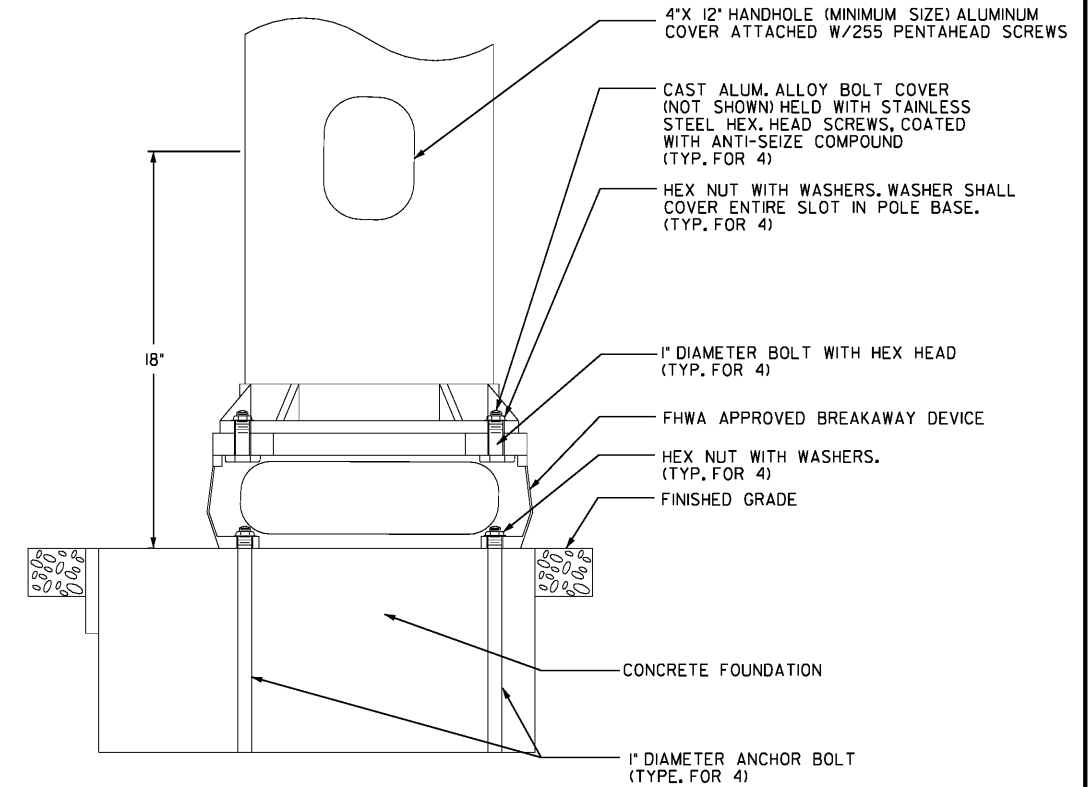
ROADWAY POLE ELEVATION VIEW



LIGHT POLE WIRING DETAILS

NOTES:

1. SEE POLE FOUNDATION DETAILS ON SHEET 25-0022.
2. ALL GROUND MOUNTED LIGHT POLES ARE TO BE MOUNTED ON FHWA APPROVED BREAKAWAY DEVICE.
3. CONDUCTORS EXTENDED INTO POLE BASE SHALL BE OF SUFFICIENT LENGTH TO WITHDRAW SPLICES AND/OR ISOLATED JOINTS A MINIMUM OF 18' OUT OF THE POLE HANDHOLE.
4. ALL EQUIPMENT SHALL BE GROUNDED AND BONDED IN ACCORDANCE WITH THE NATIONAL ELECTRICAL CODE AND THE NATIONAL ELECTRICAL SAFETY CODE.



LIGHT POLE MOUNTING DETAIL

Order Plans @ www.LDILine.com



Wi-Skies, LLC

NOT TO SCALE

REVISION DATES

NO.	DATE	DESCRIPTION

LIGHTING PLANS
1-85 @ SR 18 & SR 18 @ SR 103
GROUND MOUNTED LIGHT POLE DETAILS

CHECKED:	DATE:	DRAWING No.
BACKCHECKED:	DATE:	25-0021
CORRECTED:	DATE:	
VERIFIED:	DATE:	