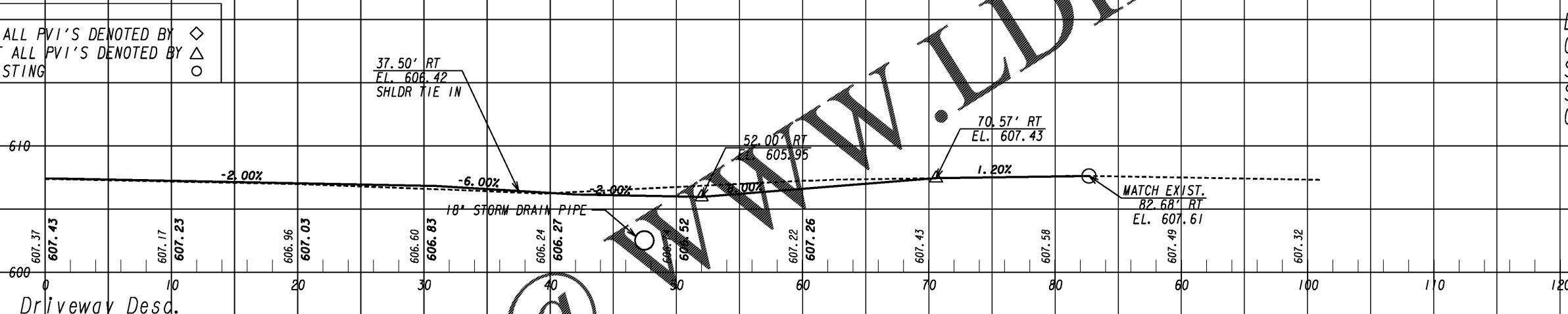
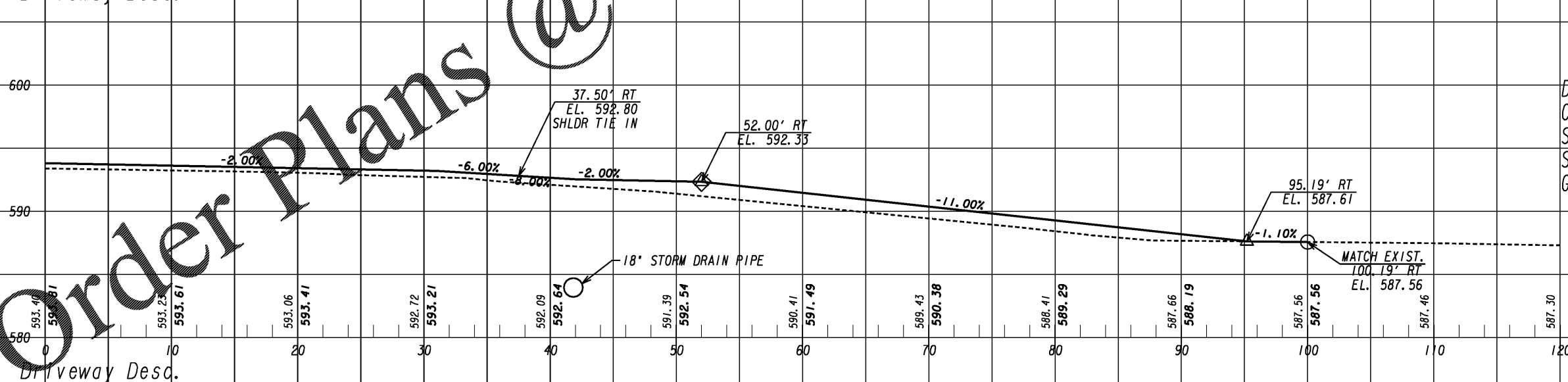


DW 3
CONCRETE
SR 18
STA 30+01 RT
GA DETAIL A2

NOTE:
 5' VC AT ALL PVI'S DENOTED BY \diamond
 10' VC AT ALL PVI'S DENOTED BY \triangle
 MATCH EXISTING \circ



DW 2
CONCRETE
SR 18
STA 28+79 RT
GA DETAIL A2

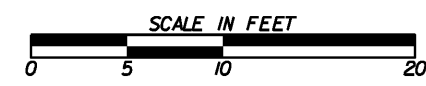


DW 1
CONCRETE
SR 18
STA 25+47 RT
GA DETAIL A2

Order Plans @ www.LDILine.com

Kimley»Horn

Engineering, Planning, and Environmental Consultants
Suite 350, 3930 East Jones Bridge Road
Peachtree Corners, Georgia 30092



REVISION DATES

DRIVEWAY PROFILE
1-85 @ SR 18 & SR 18 @ SR 103
SR 18

CHECKED:	DATE:	DRAWING No.
BACKCHECKED:	DATE:	17-0001
CORRECTED:	DATE:	
VERIFIED:	DATE:	