

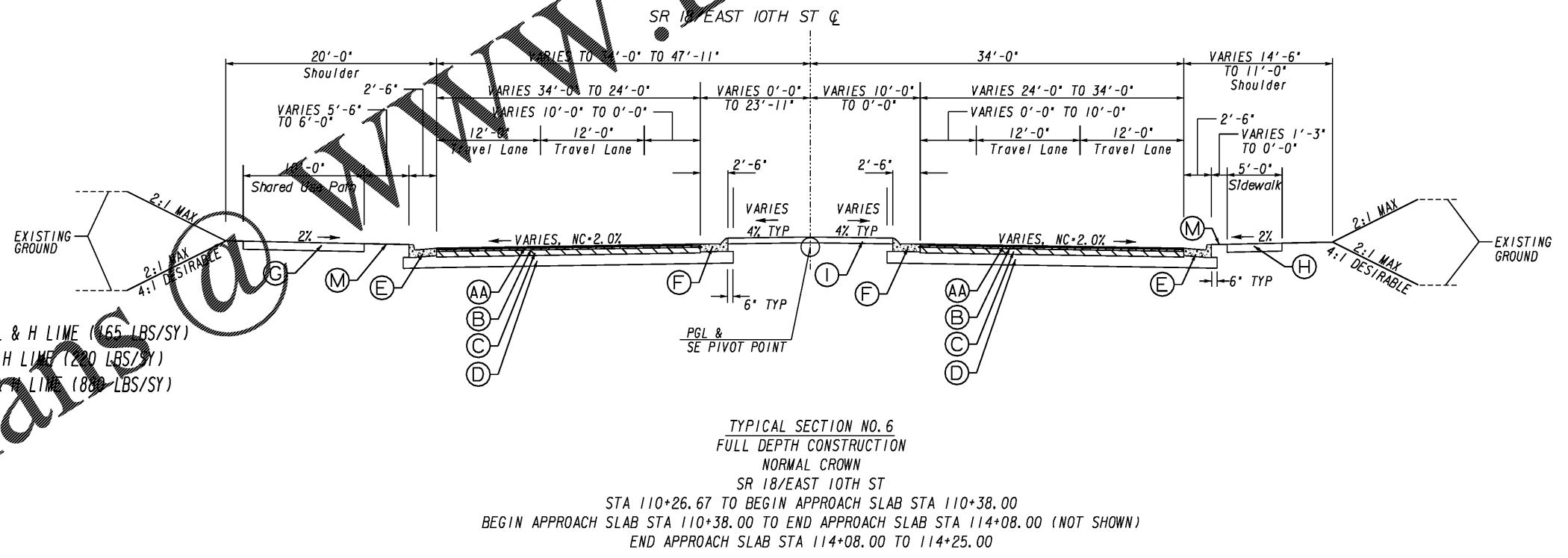
SLOPE CONTROLS FILL & CUT	
SLOPE	HIGH FROM SHOULDER PT
4:1	0' TO 6'
*2:1	6' AND OVER

*GUARDRAIL IS REQUIRED ON FILL SECTION

- NOTES:**
- SEE GEORGIA STANDARDS 4000 SERIES FOR GUARDRAIL SHOULDER INFORMATION, AND GEORGIA DETAIL S-4 FOR SURFACING TO THE FACE OF THE GUARDRAIL.
 - SEE ROADWAY PLANS FOR CROSS SLOPE TRANSITIONS.
 - SEE ROADWAY PLANS FOR LOCATION OF GUARDRAIL.
 - SEE ROADWAY PLANS FOR PAVEMENT WIDTH TRANSITIONS.
 - SEE CROSS SECTIONS FOR SLOPE INFORMATION & LOCATIONS.

LEGEND

- (AA) RECYCLED ASPH CONC 12.5 MM SUPERPAVE, GP 2 ONLY, INCL POLYMER-MODIFIED BITUM MATL & H LIME (165 LBS/SY)
- (A) RECYCLED ASPH CONC 12.5 MM SUPERPAVE, GP 2 ONLY, INCL BITUM MATL & H LIME (165 LBS/SY)
- (B) RECYCLED ASPH CONC 19 MM SUPERPAVE, GP 1 OR 2, INCL BITUM MATL & H LIME (200 LBS/SY)
- (C) RECYCLED ASPH CONC 25 MM SUPERPAVE, GP 1 OR 2, INCL BITUM MATL & H LIME (800 LBS/SY)
- (D) GR AGGR BASE CRS, 12 INCH, INCL MATL
- (E) CONC CURB & GUTTER, 6 IN X 30 IN, TP 2
- (F) CONC CURB & GUTTER, 6 IN X 30 IN, TP 7
- (G) CONC SIDEWALK, 6 IN
- (H) CONC SIDEWALK, 4 IN
- (I) CONCRETE MEDIAN, 4 IN
- (J) CONCRETE HEADER CURB, 6 IN, TP 2
- (K) MILL ASPH CONC PVT, 1 1/2 IN DEPTH
- (L) PAVEMENT EDGE TREATMENT PER SA DETAIL P-7
- (M) PLAIN STAMPED CONCRETE
- (N) PAVEMENT REINFORCEMENT FABRIC, TP 2, 18'
- (O) CENTERLINE RUMBLE STRIPS



INFRASTRUCTURE
CONSULTING & ENGINEERING
4940 PEACHTREE INDUSTRIAL BLVD., SUITE 310
NORCROSS, GEORGIA 30071

NOT TO SCALE

REVISION DATES

TYPICAL SECTIONS
SR 18 BRIDGE REPLACEMENT @ LONG CAME CREEK
TROUP COUNTY

CHECKED:	DATE:	DRAWING No.
BACKCHECKED:	DATE:	
CORRECTED:	DATE:	
VERIFIED:	DATE:	

05-0003