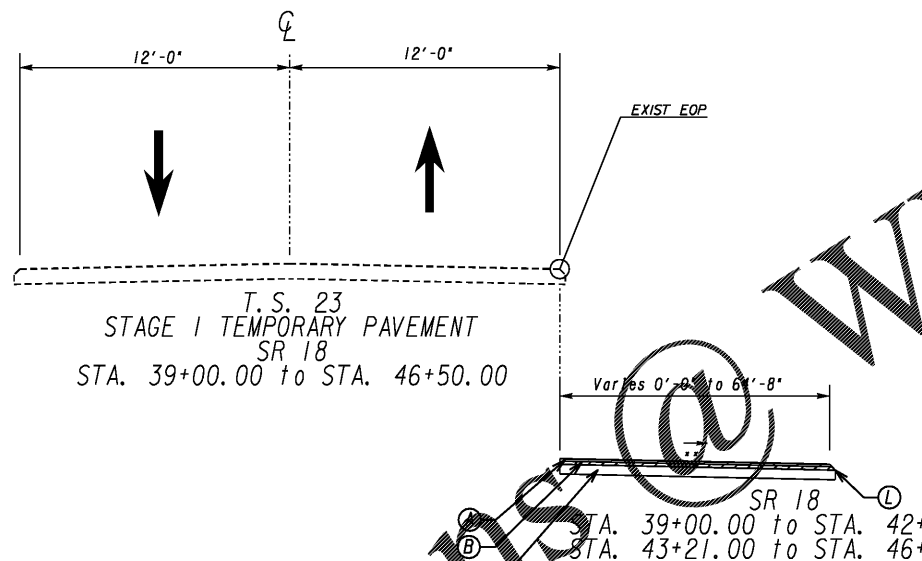
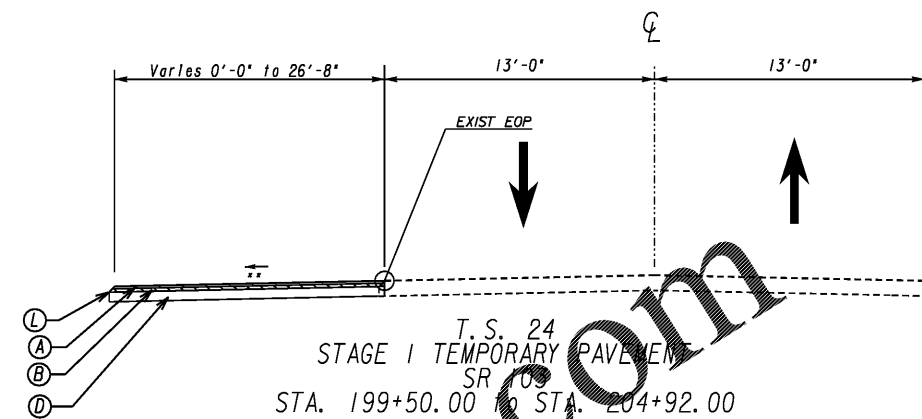


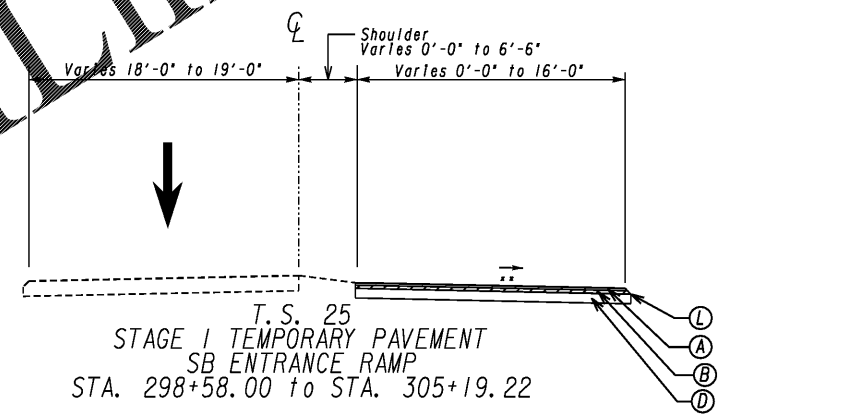
T.S. 22
STAGE I TEMPORARY PAVEMENT
SR 18
STA. 15+00.00 to STA. 15+85.00
STA. 16+56.00 to STA. 16+77.00
STA. 21+38.00 to STA. 21+97.00
STA. 21+97.00 to STA. 25+20.00



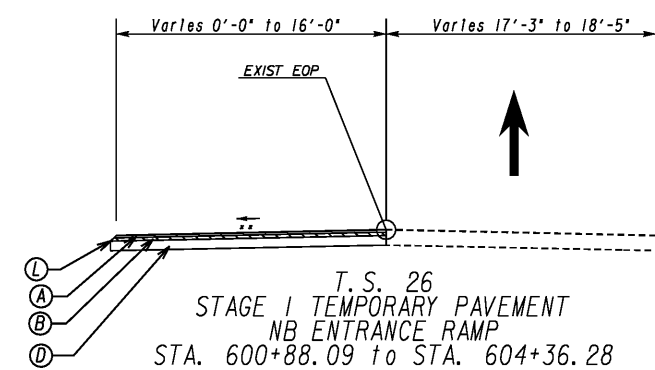
T.S. 23
STAGE I TEMPORARY PAVEMENT
SR 18
STA. 39+00.00 to STA. 46+50.00



T.S. 24
STAGE I TEMPORARY PAVEMENT
SR 103
STA. 199+50.00 to STA. 204+92.00



T.S. 25
STAGE I TEMPORARY PAVEMENT
SB ENTRANCE RAMP
STA. 298+58.00 to STA. 305+19.22



T.S. 26
STAGE I TEMPORARY PAVEMENT
NB ENTRANCE RAMP
STA. 600+88.09 to STA. 604+36.28

- AA RECYCLED ASPH CONC 12.5MM SUPERPAVE, GP 2 ONLY, INCL POLYMER MODIFIED BITUM MATL & H LIME, 165 LB/SY
- A RECYCLED ASPH CONC 12.5MM SUPERPAVE, GP 2 ONLY, INCL BITUM MATL & H LIME, 165 LB/SY
- B RECYCLED ASPH CONC 19 MM SUPERPAVE, GP 1 OR 2, INCL BITUM MATL & H LIME, 220 LB/SY
- C RECYCLED ASPH CONC 25 MM SUPERPAVE, GP 1 OR 2, INCL BITUM MATL & H LIME, 880 LB/SY
- CA RECYCLED ASPH CONC 25 MM SUPERPAVE, GP 1 OR 2, INCL BITUM MATL & H LIME, 660 LB/SY
- CB RECYCLED ASPH CONC 25 MM SUPERPAVE, GP 1 OR 2, INCL BITUM MATL & H LIME, 770 LB/SY
- D GR AGGR BASE CRS, 12 INCH, INCL MATL
- E CONC CURB & GUTTER, 8 IN X 30 IN, TP 2
- EA CONC CURB & GUTTER, 8 IN X 30 IN, TP 2
- F CONC CURB & GUTTER, 8 IN X 30 IN, TP 1
- GA CONC CURB & GUTTER, 8 IN X 30 IN, TP 9, SEE DETAIL A (SHEET 05-0013)
- H CONC SIDEWALK, 8 IN
- I CONCRETE HEADER CURB, 6 IN, TP 7
- K MILL ASPH CONC PVMT, VARIABLE DEPTH

- L PAVEMENT EDGE TREATMENT FOR ASPHALT AND CONCRETE PAVEMENT, GDOT DTL P-7
- M CONCRETE MEDIAN, 7 1/2 IN
- N PLAIN PC CONC PVMT, CL 3 CONC, 10 INCH TK COLORED AND STAMPED (FEDERAL COLOR *31136 INSIGNIA RED)
- O SOD
- P PERMANENT GRASSING
- R INDENTATION EDGE LINE RUMBLE STRIPS- GROUND-IN-PLACE (SKIP)
- S INDENTATION CENTERLINE RUMBLE STRIPS- GROUND-IN-PLACE (CONT)
- V PLAIN PC CONC PVMT, CL 3 CONC, 11 IN THK
- X RECYCLED ASPH CONC 19 MM SUPERPAVE, GP 1 OR 2, INCL BITUM MATL & H LIME, 330 LB/SY
- Y GR AGGR BASE CRS, 8 INCH, INCL MATL
- Z PAVEMENT REINFORCEMENT FABRIC, TP 2, 18 IN WIDTH
- * SEE CROSS SECTIONS FOR SLOPES
- ** SEE PLANS AND CROSS SECTIONS FOR S.E.
- *** 6" HEIGHT TRANSITION TO 3" HEIGHT WHERE THERE IS TRUCK BLISTER
- **** SEE ROADWAY PLANS FOR GUARDRAIL LOCATIONS

Kimley»Horn

Engineering, Planning, and Environmental Consultants
Suite 350, 3930 East Jones Bridge Road
Peachtree Corners, Georgia 30092

NOT TO SCALE

REVISION DATES

NO.	DATE	DESCRIPTION

**TYPICAL SECTIONS
I-85 @ SR 18 & SR 18 @ SR 103
TEMPORARY PAVEMENT**

CHECKED:	DATE:	DRAWING No.
BACKCHECKED:	DATE:	05-0012
CORRECTED:	DATE:	
VERIFIED:	DATE:	