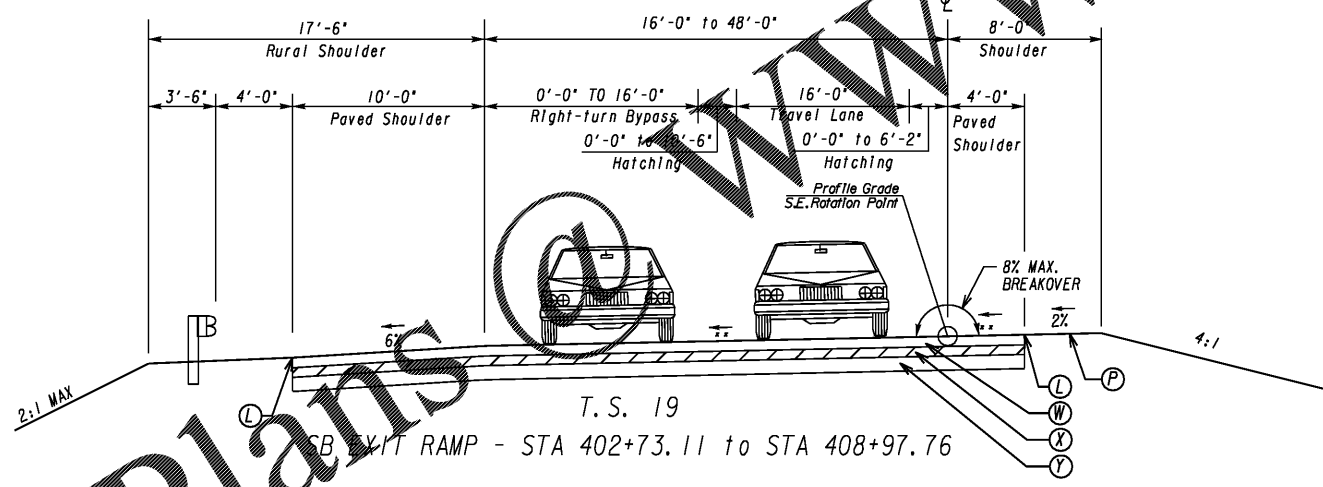


T.S. 18  
SB EXIT RAMP - STA 401+18.96 to STA 402+73.11



T.S. 19  
SB EXIT RAMP - STA 402+73.11 to STA 408+97.76

T.S. 18A  
SB EXIT RAMP - STA 402+44.67 to STA 402+70.26

- (A) RECYCLED ASPH CONC 12.5MM SUPERPAVE, GP 2 ONLY, INCL POLYMER-MODIFIED BITUM MATL & H LIME, 165 LB/SY
  - (A) RECYCLED ASPH CONC 12.5MM SUPERPAVE, GP 2 ONLY, INCL BITUM MATL & H LIME, 165 LB/SY
  - (B) RECYCLED ASPH CONC 19 MM SUPERPAVE, GP 1 OR 2, INCL BITUM MATL & H LIME, 220 LB/SY
  - (C) RECYCLED ASPH CONC 25 MM SUPERPAVE, GP 1 OR 2, INCL BITUM MATL & H LIME, 880 LB/SY
  - (C) RECYCLED ASPH CONC 25 MM SUPERPAVE, GP 1 OR 2, INCL BITUM MATL & H LIME, 660 LB/SY
  - (C) RECYCLED ASPH CONC 25 MM SUPERPAVE, GP 1 OR 2, INCL BITUM MATL & H LIME, 770 LB/SY
  - (D) GR AGGR BASE CRS, 12 INCH, INCL MATL
  - (E) CONC CURB & GUTTER, 81N X 30IN, TP2
  - (E) CONC CURB & GUTTER, 81N X 30IN, TP9
  - (F) CONC CURB & GUTTER, 81N X 30IN, TP7
  - (G) CONC CURB & GUTTER, 81N X 30IN, TP 9, SEE DETAIL A (SHEET 05-0013)
  - (H) CONC SIDEWALK, 8 IN
  - (I) CONCRETE HEADER CURB, 6 IN, TP 7
  - (K) MILL ASPH CONC PVMT, VARIABLE DEPTH
  - (L) PAVEMENT EDGE TREATMENT FOR ASPHALT AND CONCRETE PAVEMENT, GDOT DTL P-7
  - (M) CONCRETE MEDIAN, 7 1/2 IN
  - (N) PLAIN PC CONC PVMT, CL 3 CONC, 10 INCH TK COLORED AND STAMPED (FEDERAL COLOR \*31136 INSIGNIA RED)
  - (O) SOD
  - (P) PERMANENT GRASSING
  - (R) INDENTATION EDGE LINE RUMBLE STRIPS- GROUND-IN-PLACE (SKIP)
  - (S) INDENTATION CENTERLINE RUMBLE STRIPS- GROUND-IN-PLACE (CONT)
  - (W) PLAIN PC CONC PVMT, CL 3 CONC, 11 IN THK
  - (X) RECYCLED ASPH CONC 19 MM SUPERPAVE, GP 1 OR 2, INCL BITUM MATL & H LIME, 330 LB/SY
  - (Y) GR AGGR BASE CRS, 8 INCH, INCL MATL
  - (Z) PAVEMENT REINFORCEMENT FABRIC, TP 2, 18 IN WIDTH
- \* SEE CROSS SECTIONS FOR SLOPES  
 \*\* SEE PLANS AND CROSS SECTIONS FOR S.E.  
 \*\*\* 6" HEIGHT TRANSITION TO 3" HEIGHT WHERE THERE IS TRUCK BLISTER  
 \*\*\*\* SEE ROADWAY PLANS FOR GUARDRAIL LOCATIONS

Order Plans

**Kimley»Horn**

Engineering, Planning, and Environmental Consultants  
Suite 350, 3930 East Jones Bridge Road  
Peachtree Corners, Georgia 30092

NOT TO SCALE

REVISION DATES

NO.	DATE	DESCRIPTION

TYPICAL SECTIONS  
I-85 @ SR 18 & SR 18 @ SR 103  
SB EXIT RAMP

CHECKED:	DATE:	DRAWING No.
BACKCHECKED:	DATE:	05-0010
CORRECTED:	DATE:	
VERIFIED:	DATE:	