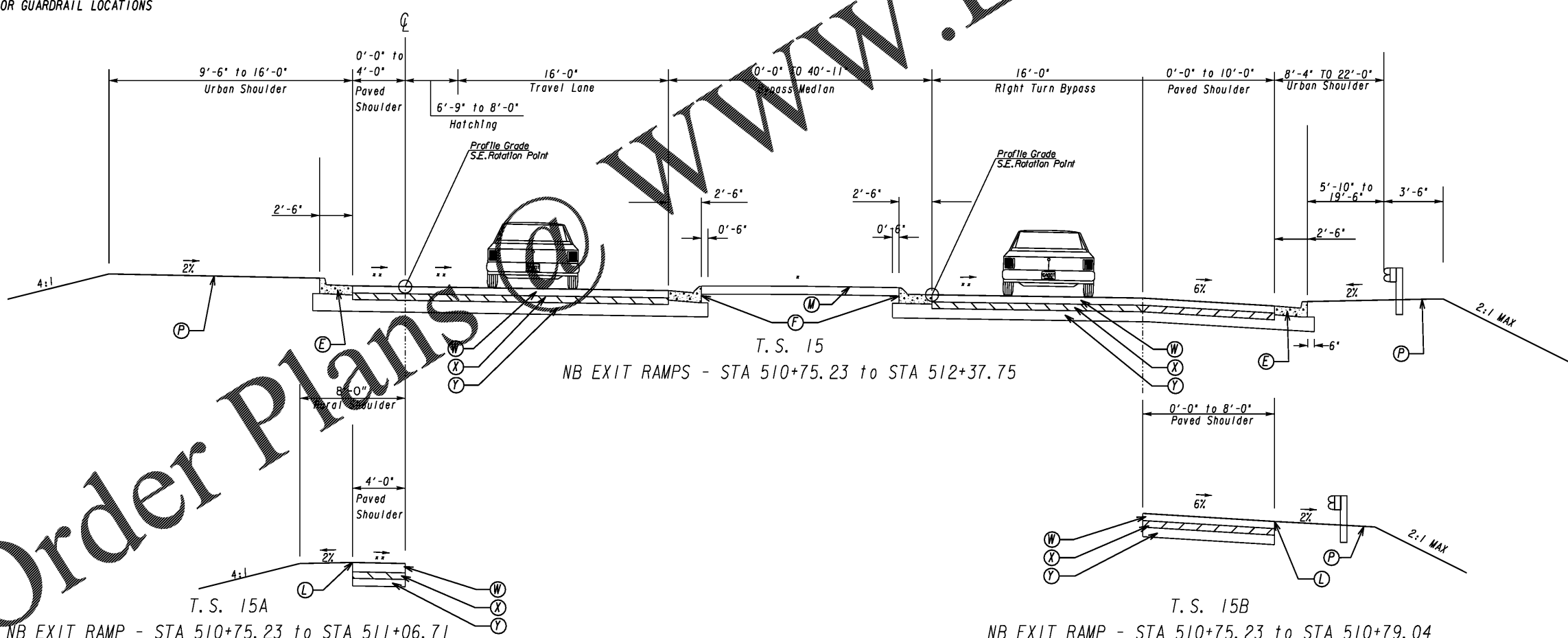
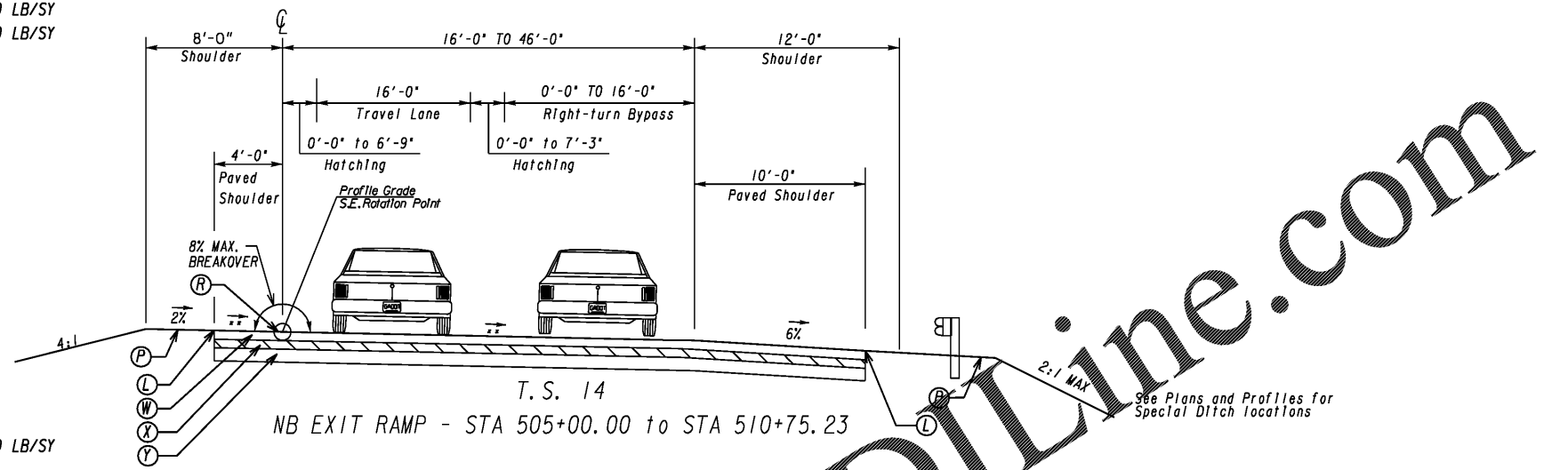


- (AA) RECYCLED ASPH CONC 12.5MM SUPERPAVE, GP 2 ONLY, INCL POLYMER-MODIFIED BITUM MATL & H LIME, 165 LB/SY
 - (A) RECYCLED ASPH CONC 12.5MM SUPERPAVE, GP 2 ONLY, INCL BITUM MATL & H LIME, 165 LB/SY
 - (B) RECYCLED ASPH CONC 19 MM SUPERPAVE, GP 1 OR 2, INCL BITUM MATL & H LIME, 220 LB/SY
 - (C) RECYCLED ASPH CONC 25 MM SUPERPAVE, GP 1 OR 2, INCL BITUM MATL & H LIME, 880 LB/SY
 - (CA) RECYCLED ASPH CONC 25 MM SUPERPAVE, GP 1 OR 2, INCL BITUM MATL & H LIME, 660 LB/SY
 - (CB) RECYCLED ASPH CONC 25 MM SUPERPAVE, GP 1 OR 2, INCL BITUM MATL & H LIME, 770 LB/SY
 - (D) GR AGGR BASE CRS, 12 INCH, INCL MATL
 - (E) CONC CURB & GUTTER, 8IN X 30IN, TP2
 - (EB) CONC CURB & GUTTER, 8IN X 30IN, TP9
 - (F) CONC CURB & GUTTER, 8IN X 30IN, TP7
 - (G) CONC CURB & GUTTER, 8IN X 30IN, TP 9, SEE DETAIL A (SHEET 05-0013)
 - (H) CONC SIDEWALK, 8 IN
 - (I) CONCRETE HEADER CURB, 6 IN, TP 7
 - (K) MILL ASPH CONC PVMT, VARIABLE DEPTH
 - (L) PAVEMENT EDGE TREATMENT FOR ASPHALT AND CONCRETE PAVEMENT, GDOT DTL P-7
 - (M) CONCRETE MEDIAN, 7 1/2 IN
 - (N) PLAIN PC CONC PVMT, CL 3 CONC, 10 INCH TK COLORED AND STAMPED (FEDERAL COLOR *31136 INSIGNIA RED)
 - (O) SOD
 - (P) PERMANENT GRASSING
 - (R) INDENTATION EDGE LINE RUMBLE STRIPS- GROUND-IN-PLACE (SKIP)
 - (S) INDENTATION CENTERLINE RUMBLE STRIPS- GROUND-IN-PLACE (CONT)
 - (W) PLAIN PC CONC PVMT, CL 3 CONC, 11 IN THK
 - (X) RECYCLED ASPH CONC 19 MM SUPERPAVE, GP 1 OR 2, INCL BITUM MATL & H LIME, 330 LB/SY
 - (Y) GR AGGR BASE CRS, 8 INCH, INCL MATL
 - (Z) PAVEMENT REINFORCEMENT FABRIC, TP 2, 18 IN WIDTH
- * SEE CROSS SECTIONS FOR SLOPES
 ** SEE PLANS AND CROSS SECTIONS FOR S.E.
 *** 6" HEIGHT TRANSITION TO 3" HEIGHT WHERE THERE IS TRUCK BLISTER
 **** SEE ROADWAY PLANS FOR GUARDRAIL LOCATIONS



Order Plans

WWW.LDILine.com

REVISION DATES		TYPICAL SECTIONS I-85 @ SR 18 & SR 18 @ SR 103 NB EXIT RAMP	
CHECKED:	DATE:	CHECKED:	DATE:
BACKCHECKED:	DATE:	BACKCHECKED:	DATE:
CORRECTED:	DATE:	CORRECTED:	DATE:
VERIFIED:	DATE:	VERIFIED:	DATE:

Kimley»Horn
 Engineering, Planning, and Environmental Consultants
 Suite 350, 3930 East Jones Bridge Road
 Peachtree Corners, Georgia 30092

NOT TO SCALE

DRAWING No. 05-0008