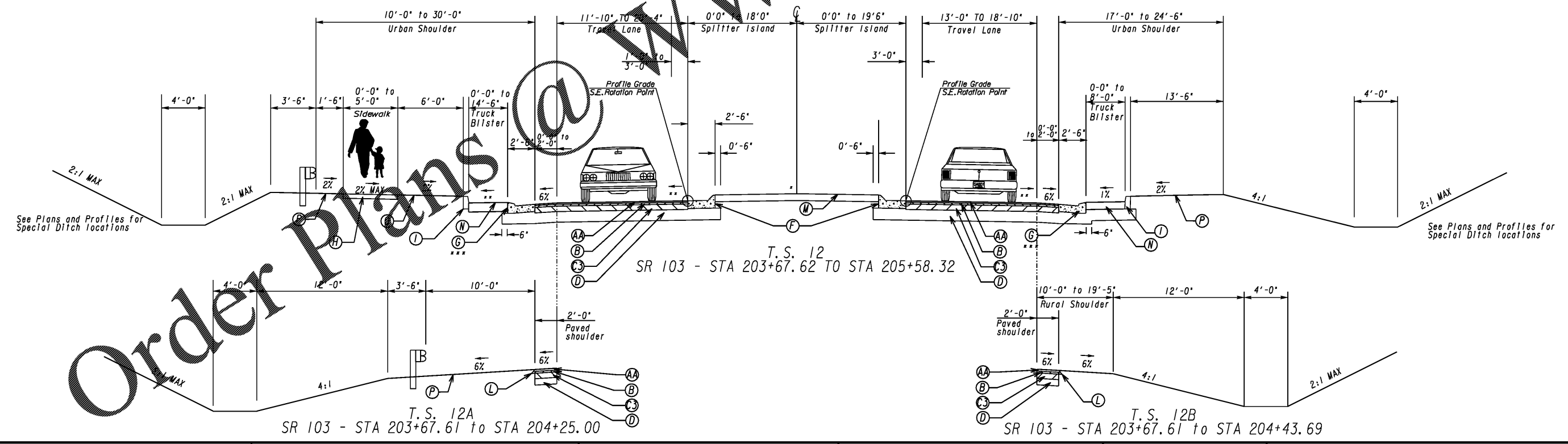
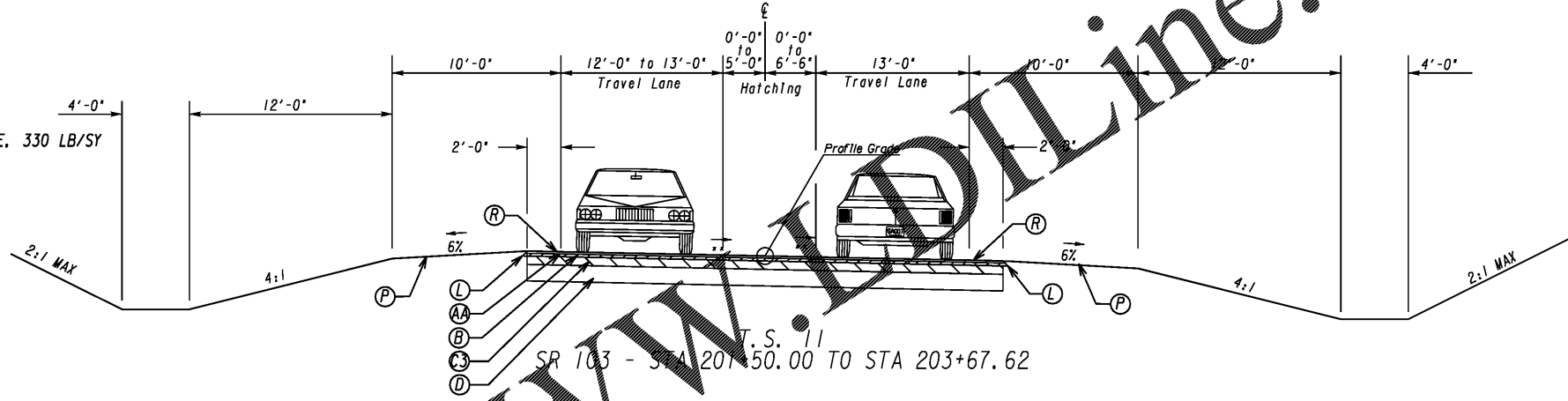
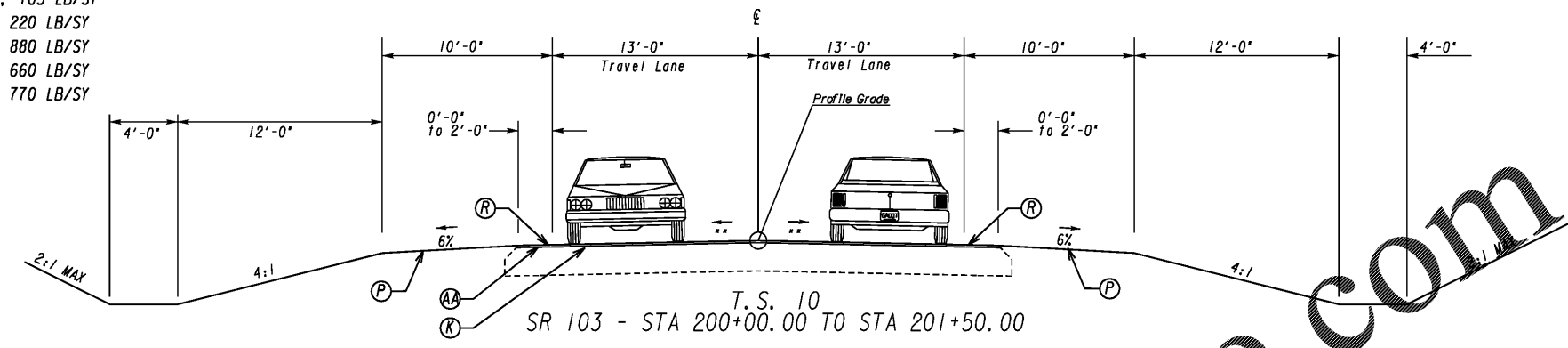


- AA RECYCLED ASPH CONC 12.5MM SUPERPAVE, GP 2 ONLY, INCL POLYMER-MODIFIED BITUM MATL & H LIME, 165 LB/SY
  - A RECYCLED ASPH CONC 12.5MM SUPERPAVE, GP 2 ONLY, INCL BITUM MATL & H LIME, 165 LB/SY
  - B RECYCLED ASPH CONC 19 MM SUPERPAVE, GP 1 OR 2, INCL BITUM MATL & H LIME, 220 LB/SY
  - C RECYCLED ASPH CONC 25 MM SUPERPAVE, GP 1 OR 2, INCL BITUM MATL & H LIME, 880 LB/SY
  - CA RECYCLED ASPH CONC 25 MM SUPERPAVE, GP 1 OR 2, INCL BITUM MATL & H LIME, 660 LB/SY
  - CB RECYCLED ASPH CONC 25 MM SUPERPAVE, GP 1 OR 2, INCL BITUM MATL & H LIME, 770 LB/SY
  - D GR AGGR BASE CRS, 12 INCH, INCL MATL
  - E CONC CURB & GUTTER, 8IN X 30IN, TP2
  - EE CONC CURB & GUTTER, 8IN X 30IN, TP9
  - F CONC CURB & GUTTER, 8IN X 30IN, TP7
  - G CONC CURB & GUTTER, 8IN X 30IN, TP 9 SEE DETAIL A (SHEET 05-0013)
  - H CONC SIDEWALK, 8 IN
  - I CONCRETE HEADER CURB, 6 IN, TP 7
  - K MILL ASPH CONC PVMT, VARIABLE DEPTH
  - L PAVEMENT EDGE TREATMENT FOR ASPHALT AND CONCRETE PAVEMENT, GDOT DTL P-7
  - M CONCRETE MEDIAN, 7 1/2 IN
  - N PLAIN PC CONC PVMT, CL 3 CONC, 10 INCH TK COLORED AND STAMPED (FEDERAL COLOR \*31136 INSIGNIA RED)
  - O SOD
  - P PERMANENT GRASSING
  - R INDENTATION EDGE LINE RUMBLE STRIPS- GROUND-IN-PLACE (SKIP)
  - S INDENTATION CENTERLINE RUMBLE STRIPS- GROUND-IN-PLACE (CONT)
  - V PLAIN PC CONC PVMT, CL 3 CONC, 11 IN THK
  - X RECYCLED ASPH CONC 19 MM SUPERPAVE, GP 1 OR 2, INCL BITUM MATL & H LIME, 330 LB/SY
  - Y GR AGGR BASE CRS, 8 INCH, INCL MATL
  - Z PAVEMENT REINFORCEMENT FABRIC, TP 2, 18 IN WIDTH
- \* SEE CROSS SECTIONS FOR SLOPES  
 \*\* SEE PLANS AND CROSS SECTIONS FOR S.E.  
 \*\*\* 6" HEIGHT TRANSITION TO 3" HEIGHT WHERE THERE IS TRUCK BLISTER  
 \*\*\*\* SEE ROADWAY PLANS FOR GUARDRAIL LOCATIONS



Order Plans @

**Kimley»Horn**  
Engineering, Planning, and Environmental Consultants  
Suite 350, 3930 East Jones Bridge Road  
Peachtree Corners, Georgia 30092

NOT TO SCALE

REVISION DATES

NO.	DATE	DESCRIPTION

TYPICAL SECTIONS  
I-85 @ SR 18 & SR 18 @ SR 103  
SR 103

CHECKED:	DATE:	DRAWING No.
BACKCHECKED:	DATE:	05-0006
CORRECTED:	DATE:	
VERIFIED:	DATE:	