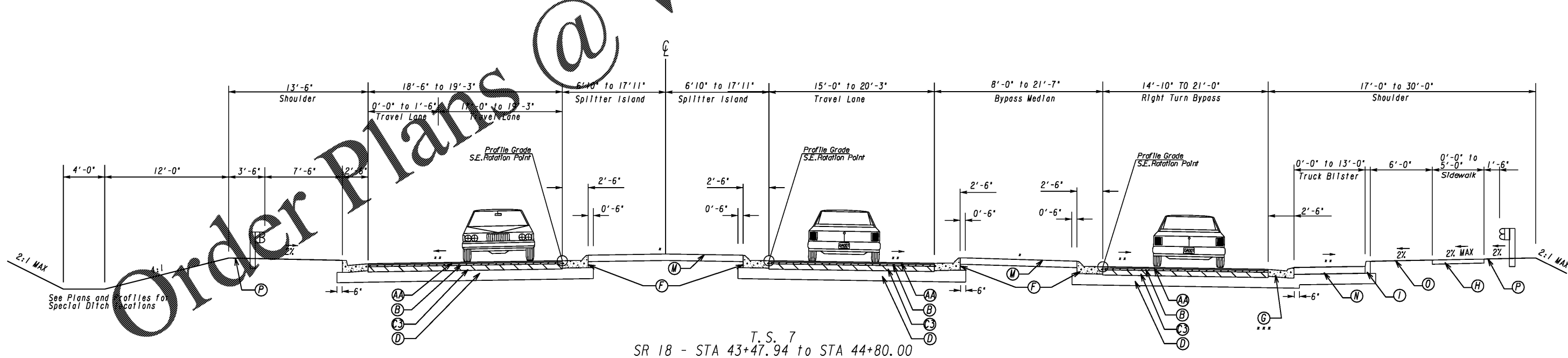
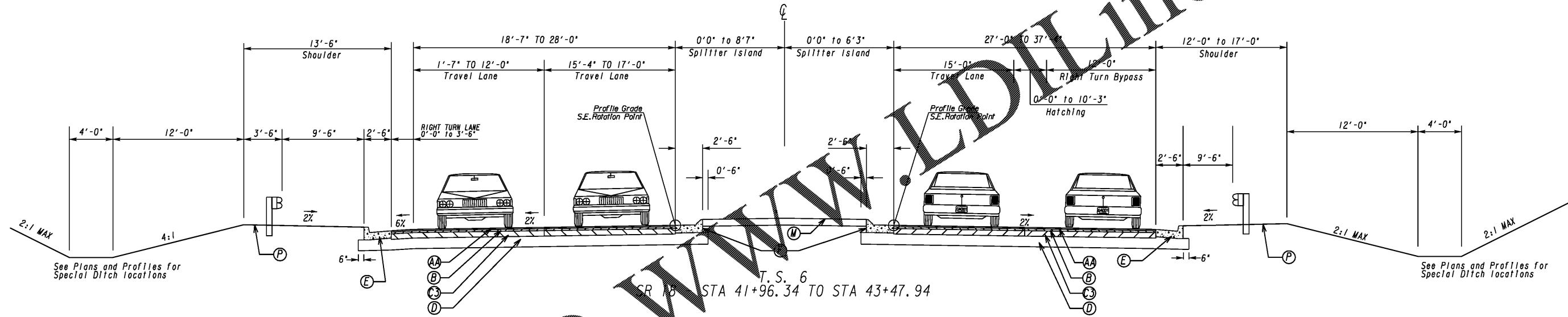


- AA RECYCLED ASPH CONC 12.5MM SUPERPAVE, GP 2 ONLY, INCL POLYMER-MODIFIED BITUM MATL & H LIME, 165 LB/SY
- A RECYCLED ASPH CONC 12.5MM SUPERPAVE, GP 2 ONLY, INCL BITUM MATL & H LIME, 165 LB/SY
- B RECYCLED ASPH CONC 19 MM SUPERPAVE, GP 1 OR 2, INCL BITUM MATL & H LIME, 220 LB/SY
- C RECYCLED ASPH CONC 25 MM SUPERPAVE, GP 1 OR 2, INCL BITUM MATL & H LIME, 880 LB/SY
- 2 RECYCLED ASPH CONC 25 MM SUPERPAVE, GP 1 OR 2, INCL BITUM MATL & H LIME, 660 LB/SY
- 3 RECYCLED ASPH CONC 25 MM SUPERPAVE, GP 1 OR 2, INCL BITUM MATL & H LIME, 770 LB/SY
- D GR AGGR BASE CRS, 12 INCH, INCL MATL
- E CONC CURB & GUTTER, 8 IN X 30 IN, TP2
- EE CONC CURB & GUTTER, 8 IN X 30 IN, TP9
- F CONC CURB & GUTTER, 8 IN X 30 IN, TP7
- G CONC CURB & GUTTER, 8 IN X 30 IN, TP 9, SEE DETAIL A (SHEET 05-0013)
- H CONC SIDEWALK, 8 IN
- I CONCRETE HEADER CURB, 6 IN, TP 7
- K MILL ASPH CONC PVMT, VARIABLE DEPTH

- L PAVEMENT EDGE TREATMENT FOR ASPHALT AND CONCRETE PAVEMENT, GDOT DTL P-7
  - M CONCRETE MEDIAN, 7 1/2 IN
  - N PLAIN PC CONC PVMT, CL 3 CONC, 10 INCH TK COLORED AND STAMPED (FEDERAL COLOR \*31136 INSIGNIA RED)
  - O SOD
  - P PERMANENT GRASSING
  - R INDENTATION EDGE LINE RUMBLE STRIPS- GROUND-IN-PLACE (SKIP)
  - S INDENTATION CENTERLINE RUMBLE STRIPS- GROUND-IN-PLACE (CONT)
  - W PLAIN PC CONC PVMT, CL 3 CONC, 11 IN THK
  - X RECYCLED ASPH CONC 19 MM SUPERPAVE, GP 1 OR 2, INCL BITUM MATL & H LIME, 330 LB/SY
  - Y GR AGGR BASE CRS, 8 INCH, INCL MATL
  - Z PAVEMENT REINFORCEMENT FABRIC, TP 2, 18 IN WIDTH
- \* SEE CROSS SECTIONS FOR SLOPES  
 \*\* SEE PLANS AND CROSS SECTIONS FOR S.E.  
 \*\*\* 6" HEIGHT TRANSITION TO 3" HEIGHT WHERE THERE IS TRUCK BLISTER  
 \*\*\*\* SEE ROADWAY PLANS FOR GUARDRAIL LOCATIONS



**Kimley»Horn**

Engineering, Planning, and Environmental Consultants  
Suite 350, 3930 East Jones Bridge Road  
Peachtree Corners, Georgia 30092

NOT TO SCALE

REVISION DATES

TYPICAL SECTIONS  
I-85 @ SR 18 & SR 18 @ SR 103

SR 18

CHECKED:	DATE:	DRAWING No.
BACKCHECKED:	DATE:	05-0004
CORRECTED:	DATE:	
VERIFIED:	DATE:	