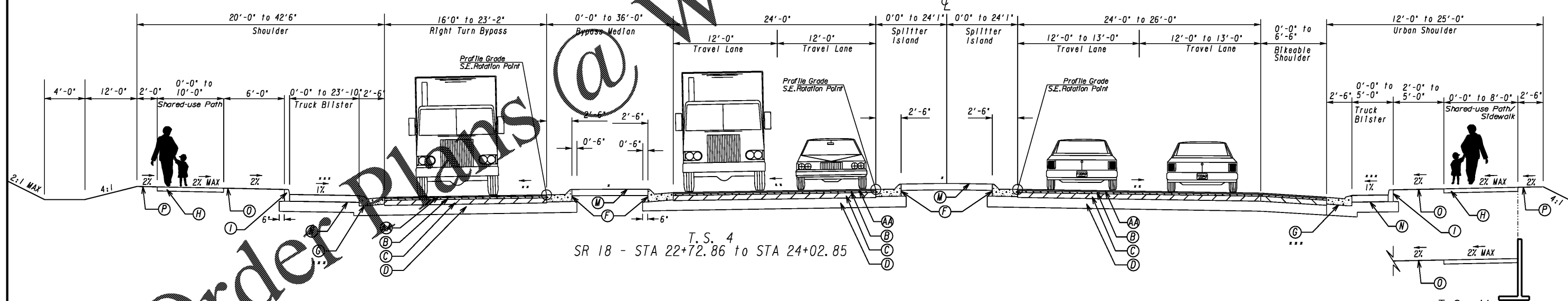
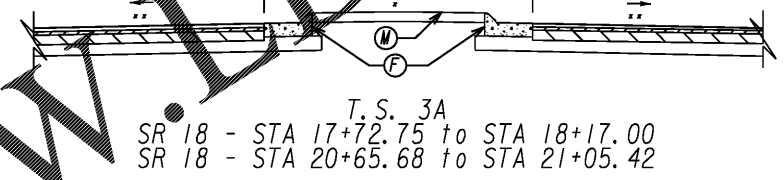
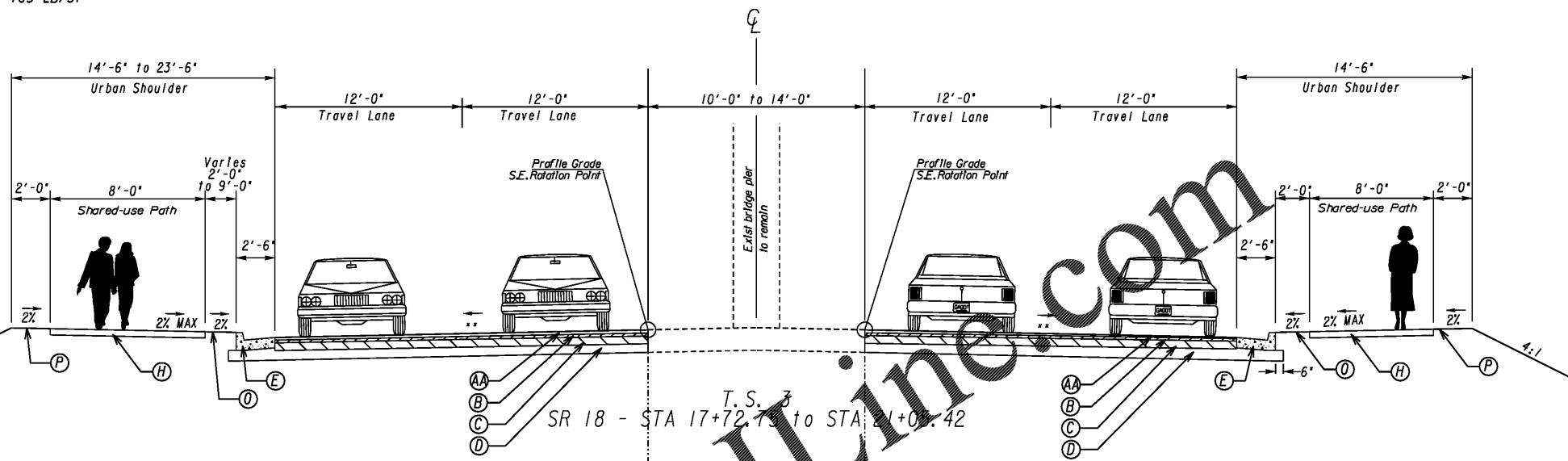


- AA RECYCLED ASPH CONC 12.5MM SUPERPAVE, GP 2 ONLY, INCL POLYMER-MODIFIED BITUM MATL & H LIME, 165 LB/SY
 - A RECYCLED ASPH CONC 12.5MM SUPERPAVE, GP 2 ONLY, INCL BITUM MATL & H LIME, 165 LB/SY
 - B RECYCLED ASPH CONC 19 MM SUPERPAVE, GP 1 OR 2, INCL BITUM MATL & H LIME, 220 LB/SY
 - C RECYCLED ASPH CONC 25 MM SUPERPAVE, GP 1 OR 2, INCL BITUM MATL & H LIME, 880 LB/SY
 - CC RECYCLED ASPH CONC 25 MM SUPERPAVE, GP 1 OR 2, INCL BITUM MATL & H LIME, 660 LB/SY
 - CD RECYCLED ASPH CONC 25 MM SUPERPAVE, GP 1 OR 2, INCL BITUM MATL & H LIME, 770 LB/SY
 - D GR AGGR BASE CRS, 12 INCH, INCL MATL
 - E CONC CURB & GUTTER, 8IN X 30IN, TP2
 - EE CONC CURB & GUTTER, 8IN X 30IN, TP9
 - F CONC CURB & GUTTER, 8IN X 30IN, TP7
 - G CONC CURB & GUTTER, 8IN X 30IN, TP 9, SEE DETAIL A (SHEET 05-0013)
 - H CONC SIDEWALK, 8 IN
 - I CONCRETE HEADER CURB, 6 IN, TP 7
 - K MILL ASPH CONC PVMT, VARIABLE DEPTH
 - L PAVEMENT EDGE TREATMENT FOR ASPHALT AND CONCRETE PAVEMENT, GDOT DTL P-7
 - M CONCRETE MEDIAN, 7 1/2 IN
 - N PLAIN PC CONC PVMT, CL 3 CONC, 10 INCH TK COLORED AND STAMPED (FEDERAL COLOR *31136 INSIGNIA RED)
 - O SOD
 - P PERMANENT GRASSING
 - R INDENTATION EDGE LINE RUMBLE STRIPS- GROUND-IN-PLACE (SKIP)
 - S INDENTATION CENTERLINE RUMBLE STRIPS- GROUND-IN-PLACE (CONT)
 - V PLAIN PC CONC PVMT, CL 3 CONC, 11 IN THK
 - X RECYCLED ASPH CONC 19 MM SUPERPAVE, GP 1 OR 2, INCL BITUM MATL & H LIME, 330 LB/SY
 - Y GR AGGR BASE CRS, 8 INCH, INCL MATL
 - Z PAVEMENT REINFORCEMENT FABRIC, TP 2, 18 IN WIDTH
- * SEE CROSS SECTIONS FOR SLOPES
 ** SEE PLANS AND CROSS SECTIONS FOR S.E.
 *** 6" HEIGHT TRANSITION TO 3" HEIGHT WHERE THERE IS TRUCK BLISTER
 **** SEE ROADWAY PLANS FOR GUARDRAIL LOCATIONS



T.S. 4A
WALL #1 (See GA STD 4949D)
STA 23+01.76 to STA 23+59.94

Order Plans @

Kimley»Horn

Engineering, Planning, and Environmental Consultants
 Suite 350, 3930 East Jones Bridge Road
 Peachtree Corners, Georgia 30092

NOT TO SCALE

REVISION DATES

TYPICAL SECTIONS
 I-85 @ SR 18 & SR 18 @ SR 103

SR 18

CHECKED:	DATE:	DRAWING No.
BACKCHECKED:	DATE:	
CORRECTED:	DATE:	
VERIFIED:	DATE:	

05-0002