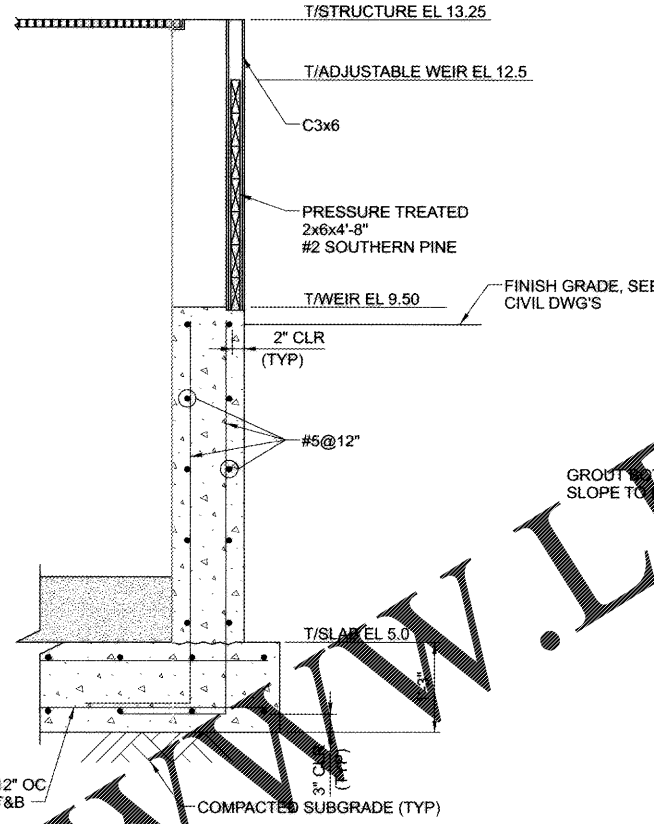
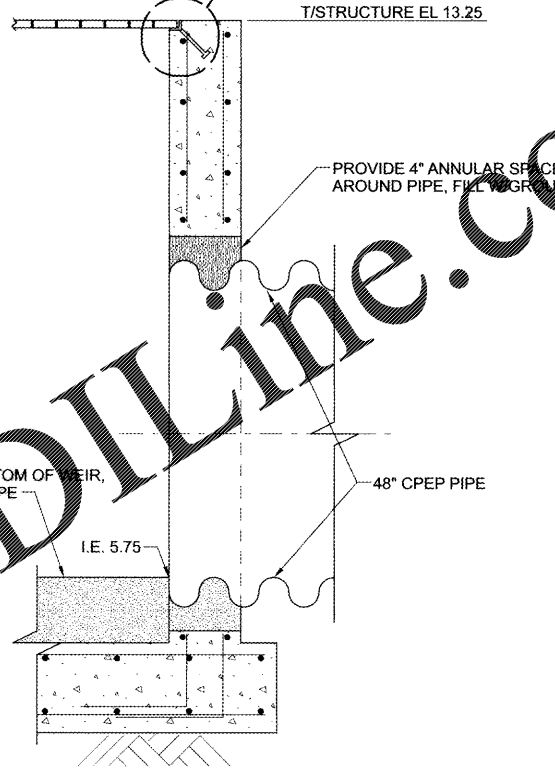


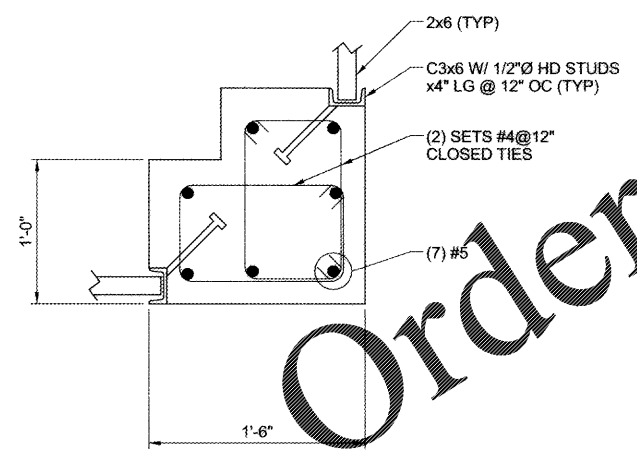
1 PLAN
DETAIL
1/2"=1'-0"
GCT-C-5004



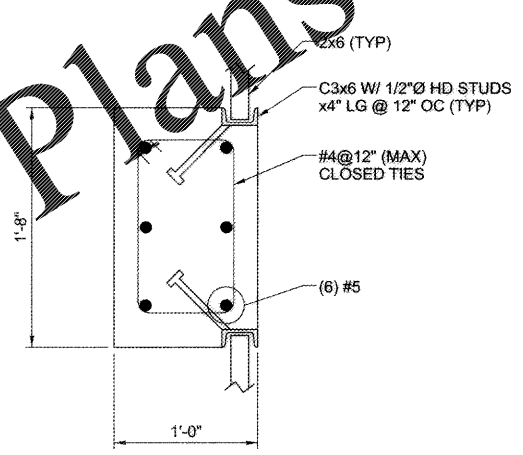
2 SECTION
3/4"=1'-0"



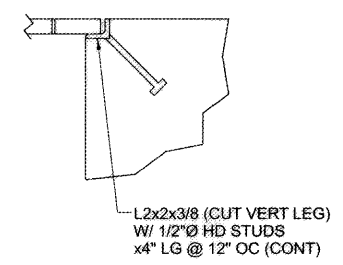
3 SECTION
3/4"=1'-0"



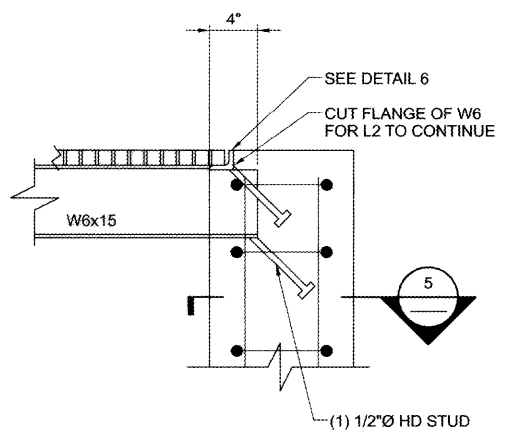
4 DETAIL
1 1/2"=1'-0"



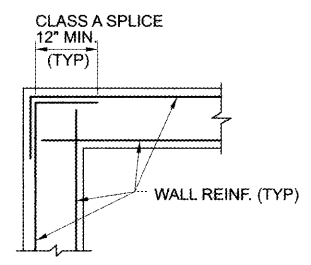
5 DETAIL
1 1/2"=1'-0"



6 DETAIL
1 1/2"=1'-0"



7 SECTION
1/2"=1'-0"

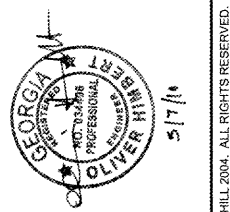


TYP WALL CORNER
8 DETAIL
NONE

NOTES:
1. ALL MISCELLANEOUS METALS AND EMBEDS SHALL BE HOT DIPPED GALVANIZED.
2. FOR LOCATION SEE CIVIL DRAWING GCT-C-5004.
3. FOR GENERAL NOTES SEE DRAWING GCT-S-0001.

Order Plans @ www.LDILine.com

CALL BEFORE YOU DIG - 1-800-282-7411



ISSUED FOR RECORD	Y	TSM	Y
AMENDMENT No. 1 - ISSUED FOR CONSTRUCTION	Y	TSM	Y
REVISIONS	CHK	BY	APVD
NO.	DATE	DR	APVD
1	5/07/10	O. HEMBERT	T.S. MCINTYRE
0	12/08/09	J.N. SLAGLE	O. HEMBERT

CH2MHILL

ADJUSTABLE WEIR STRUCTURE SECTIONS & DETAILS

Georgia Ports Authority

CONTAINER BERTH EIGHT DRAINAGE SYSTEM AND PAVING GARDEN CITY TERMINAL SAVANNAH, GEORGIA

VERIFY SCALE	DATE	19-OCT-2009
BAR IS ONE INCH ON ORIGINAL DRAWING.	CH2M PROJ No.	19242W
0" = 1"	GPA PROJ No.	0103-0072W
	DWG	GCT-S-5003
	SHEET	of