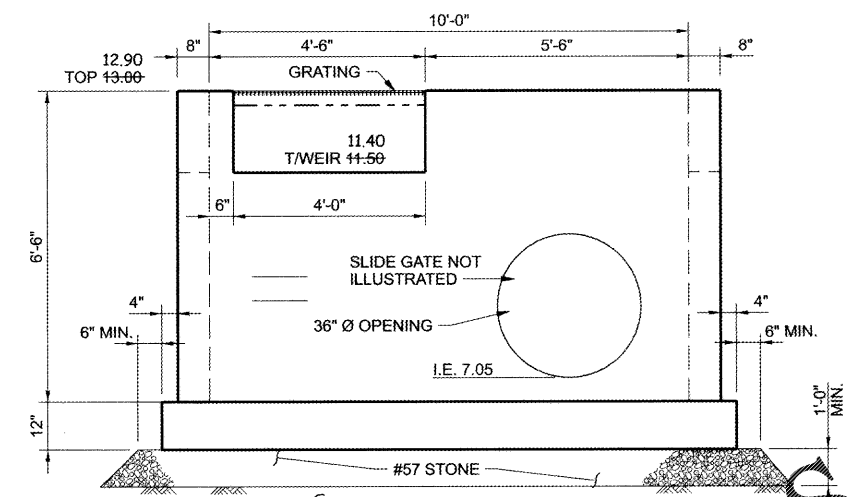
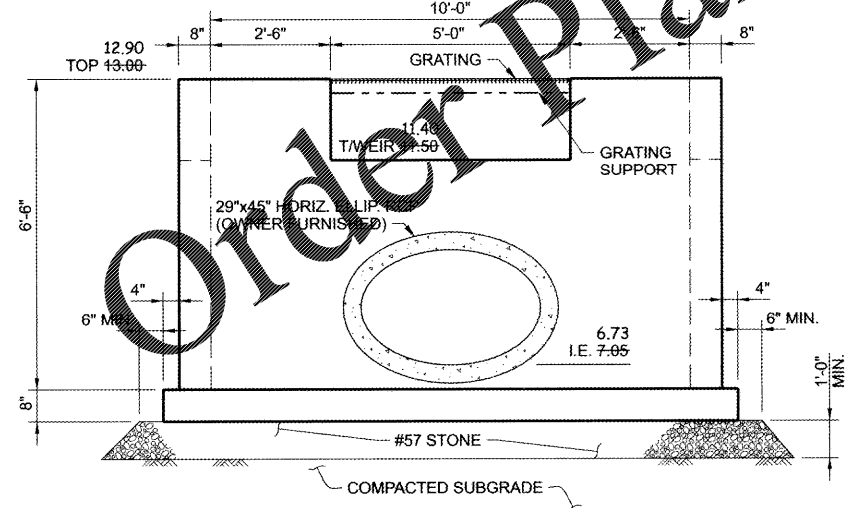


1
PLAN DETAIL
 1/2" = 1'-0"

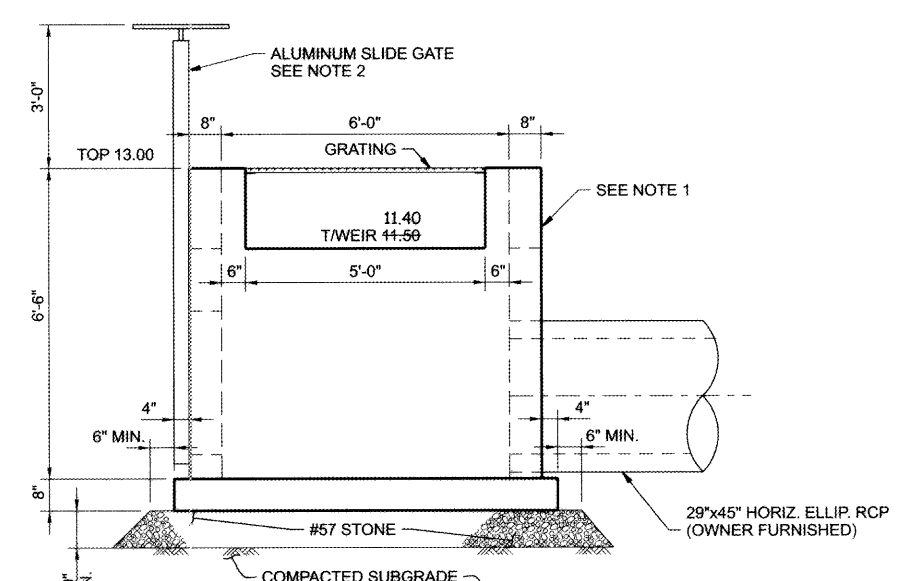
GCT-C-2303
 GCT-S-5001



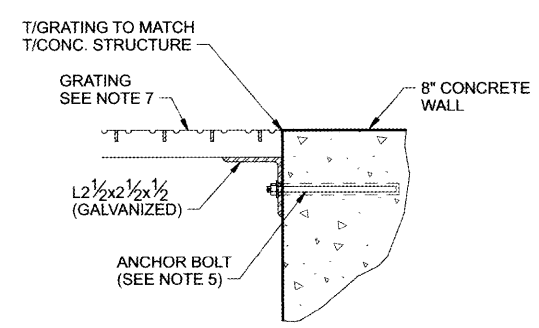
FRONT ELEVATION
 1/2" = 1"



REAR ELEVATION
 1/2" = 1"

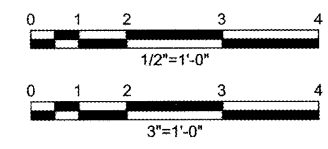


RIGHT ELEVATION
 1/2" = 1" (LEFT ELEVATION OPPOSITE HAND)



2
SECTION
 3" = 1"

- NOTES:**
- WEIR BOX SHALL BE "RECTANGULAR WETWELL" AS MANUFACTURED BY HANSON PIPE AND PRECAST, OR APPROVED EQUAL. STRUCTURE SHALL BE DESIGNED IN ACCORDANCE WITH:
 ASTM C890
 ASTM C913
 DESIGN LOADS SHALL INCLUDE:
 DEAD LOADS
 EXTERNAL HYDROSTATIC LOADS (TO TOP OF STRUCTURE)
 LIVE LOAD (200 LBS/SQ FT)
 - SLIDE GATE, MODEL 761 WITH FLAT FRAME MOUNTING AS MANUFACTURED BY RODNEY HUNT. BOTTOM SEAL SHALL BE FLAT FRAME END-OF-CHANNEL MOUNTING. GATE SHALL BE SELF-CONTAINED. GATE OPENING WIDTH SHALL BE 48 INCHES.
 - SEE NOTES ON DRAWING GCT-S-0001.
 - SEE CIVIL DRAWINGS FOR STRUCTURE LOCATION.
 - ANCHOR BOLT SHALL BE HILT HIT-HY 150 MAX.
 3/8" DIAMETER
 EMBEDMENT DEPTH = 3 3/8"
 4 REQUIRED ON FRONT WALL
 4 REQUIRED ON REAR WALL
 - (OMITTED)
 GRATING SHALL BE SWAGED CARBON STEEL 19-W-4 AS MANUFACTURED BY OHIO GRATINGS, INC. OR APPROVED EQUAL.
 2" BEARING BARS
 SERRATED SURFACE
 6' SPAN
 GALVANIZED SURFACE
 SPAN SHALL BE FROM INSIDE FRONT TO INSIDE REAR OF CONCRETE STRUCTURE. PROVIDE SADDLE CLIPS (2 EACH END OF GRATING SPAN).
 - (OMITTED)



CALL BEFORE YOU DIG - 1-800-282-7411

CH2MHILL

FIXED WEIR STRUCTURE SECTIONS AND DETAILS

Georgia Ports Authority

CONTAINER BERTH EIGHT DRAINAGE SYSTEM AND PAVING GARDEN CITY TERMINAL SAVANNAH, GEORGIA

NO.	DATE	BY	APVD	REVISIONS
4	5/07/10	J.H. PIGOTT	DSGN	
3	12/09/09	J.H. PIGOTT	DR	
2	11/02/09	E. GUERNEY	CHK	
1	10/30/09	O. HIMBERT	CHK	
0	10/19/09	J.H. PIGOTT	APVD	

ISSUED FOR RECORD
 AMENDMENT No. 1 - ISSUED FOR CONSTRUCTION
 ADDENDUM NO. 2
 ADDENDUM NO. 1
 ISSUED FOR BIDS

VERIFY SCALE
 BAR IS ONE INCH ON ORIGINAL DRAWING.
 0 1 2 3 4
 1/2" = 1'-0"

DATE: 19-OCT-2009
 CH2M PROJ No. 19242W
 GPA PROJ No. 0103-0072W
 DWG: GCT-S-5002
 SHEET: of

FILENAME: GCT-S-5002.dgn PLOT DATE: 5/24/2010 PLOT TIME: 3:48:41 PM