

Rev	Date	Issue For
0	10/03/2021	JHP
1	10/03/2021	JHP
2	10/03/2021	JHP
3	10/03/2021	JHP
4	10/03/2021	JHP
5	10/03/2021	JHP
6	10/03/2021	JHP
7	10/03/2021	JHP
8	10/03/2021	JHP
9	10/03/2021	JHP
10	10/03/2021	JHP

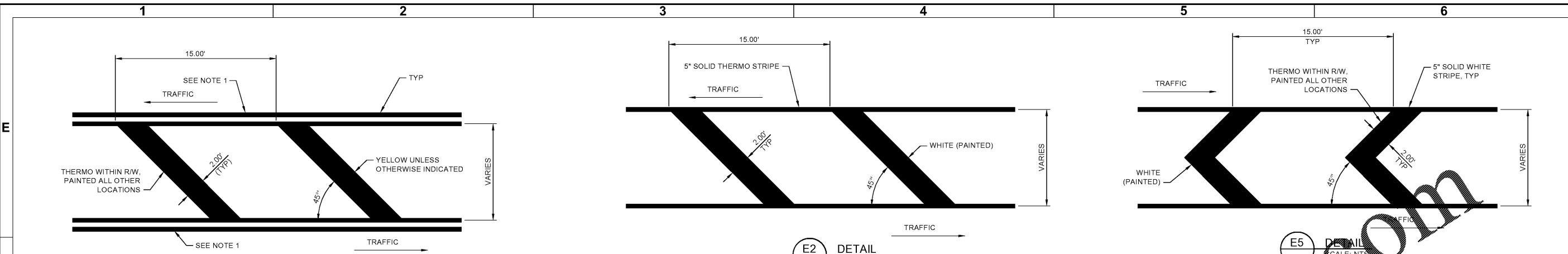
GEORGIA PORTS AUTHORITY  
GCT CAPACITY IMPROVEMENTS - PHASE 2  
DETAIL SHEET 6 OF 11

Designed by:	JHP	Date:	0
Dwn by:	RJM	MM Project No.:	5531-254B
Reviewed by:		GPA Project No.:	1910-1011C
Submitted by:	MOFFATT & NICHOL	Drawing Scale:	AS NOTED
		Per scale:	1:1 (0 SHEET)

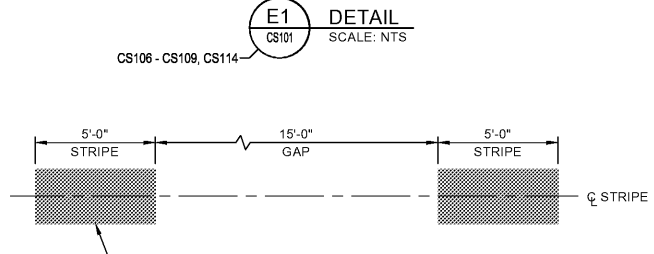
2 EAST BRYAN ST., STE 501  
SAVANNAH, GA 31401  
912.231.0044  
**moffatt & nichol**

SEAL

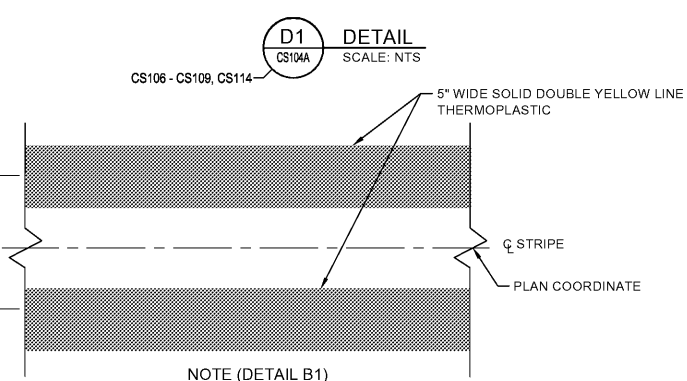
Sheet Reference No.  
**C-506**  
INDEX: OF



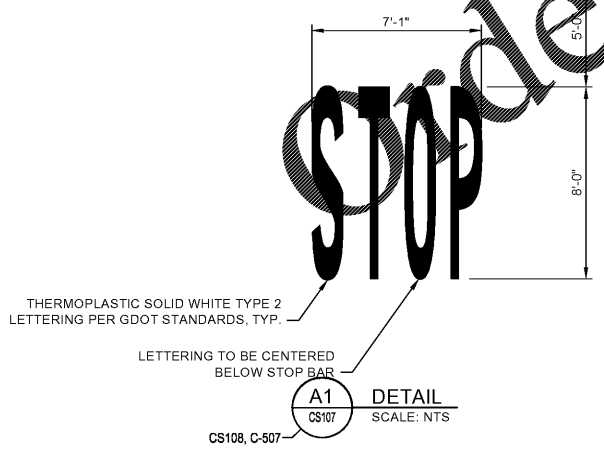
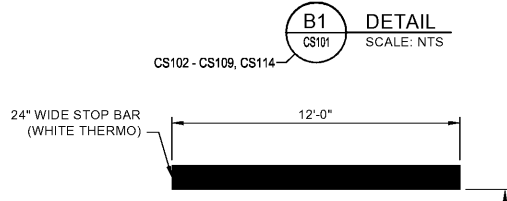
**NOTE (DETAIL C5)**  
1. LAYOUT DATA APPLIES TO OUTERMOST LINE OF DETAIL



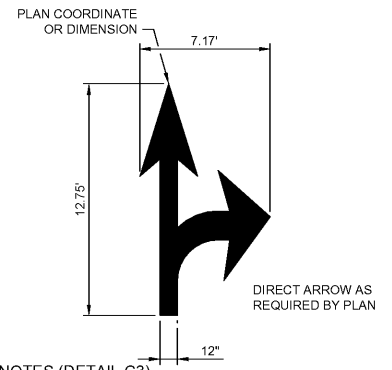
**NOTE (DETAIL D1)**  
1. SKIPLINE TO BE THERMOPLASTIC



**NOTE (DETAIL B1)**  
1. DETAILS SHALL BE THERMOPLASTIC (THERMO) UNLESS OTHERWISE INDICATED ON THE PLANS

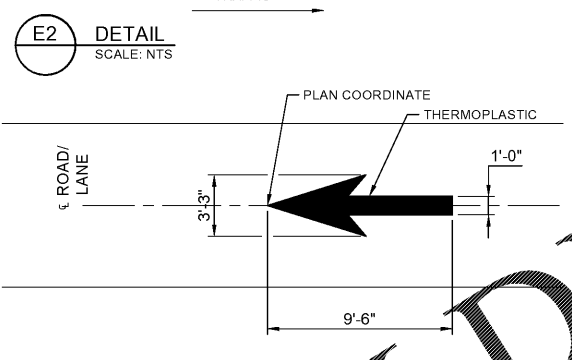


**A1** DETAIL  
SCALE: NTS  
CS108, C-507

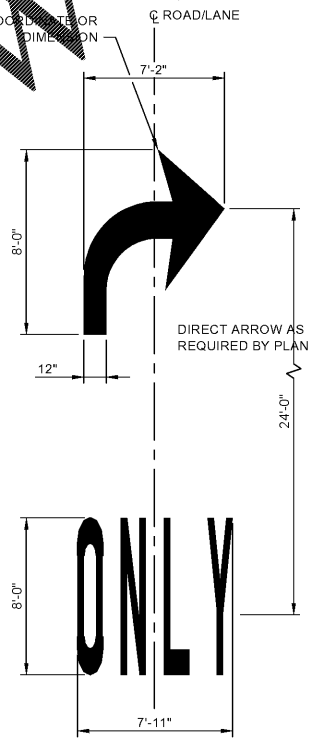


**NOTES (DETAIL C3)**  
1. PAVEMENT MARKINGS SHALL CONFORM TO U.S.D.O.T. STANDARD ALPHABETS FOR HIGHWAY SIGNS AND PAVEMENT MARKINGS.  
2. ALL PAVEMENT MARKINGS SHOWN IN THIS DETAIL SHALL BE THERMOPLASTIC, WHITE, UNLESS OTHERWISE INDICATED.

**C3** DETAIL  
SCALE: NTS  
CS108, CS109

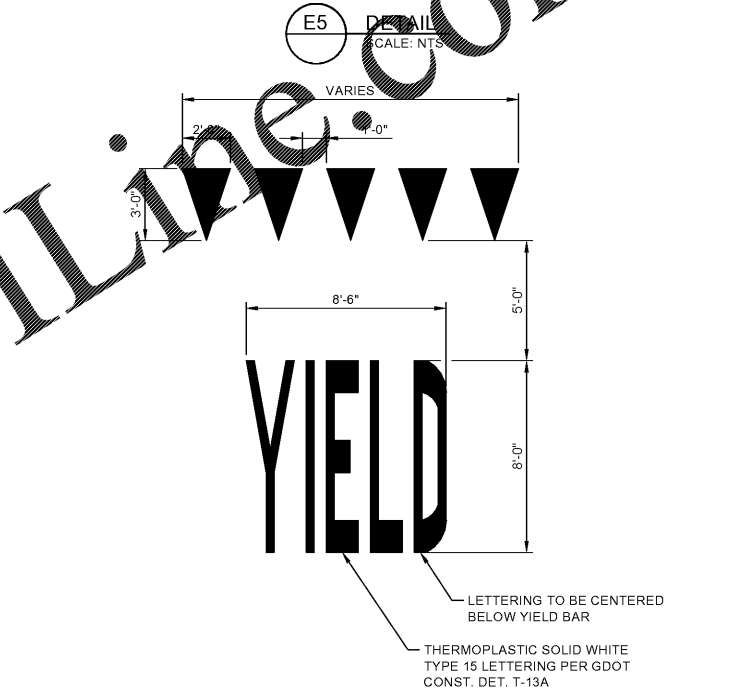


**E2** DETAIL  
SCALE: NTS

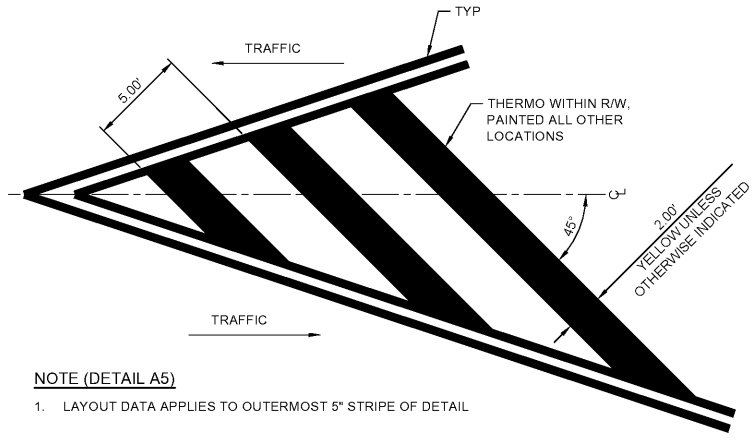


**NOTES (DETAIL A3)**  
1. PAVEMENT MARKINGS SHALL CONFORM TO U.S.D.O.T. STANDARD ALPHABETS FOR HIGHWAY SIGNS AND PAVEMENT MARKINGS.  
2. ALL PAVEMENT MARKINGS SHOWN IN THIS DETAIL SHALL BE THERMOPLASTIC, WHITE, UNLESS OTHERWISE INDICATED.

**A3** DETAIL  
SCALE: NTS  
CS109



**E5** DETAIL  
SCALE: NTS



**NOTE (DETAIL A5)**  
1. LAYOUT DATA APPLIES TO OUTERMOST 5" STRIPE OF DETAIL

**A5** DETAIL  
SCALE: NTS

ISSUED FOR BID  
2021/02/03  
NOT TO BE USED FOR CONSTRUCTION  
DRAWING SCALES SHOWN BASED ON 22"x34" DRAWING

WWW.LDILINE.COM

Order Plans @