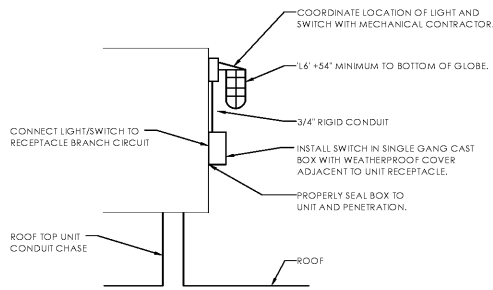
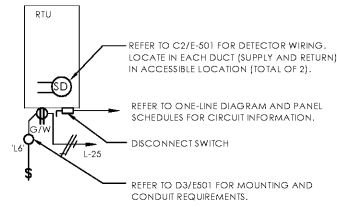


File Name: N:\D062\40452\30 - CHARLOTTE, NC\DOCS\CAD\E501.DWG Author: TOWLE, BRENDON Plot Date: 2/12/2021



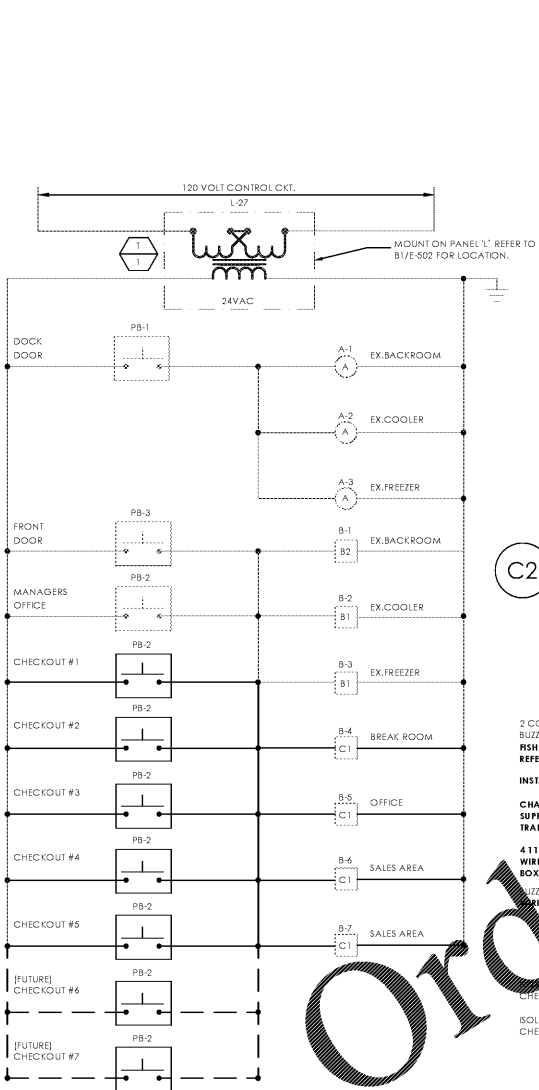
NOTES:
1. REFER TO DETAIL C3/E-501 AND C2/E-501 FOR WIRING.

D3 RTU Service Light Mounting Detail
SCALE: N.T.S.



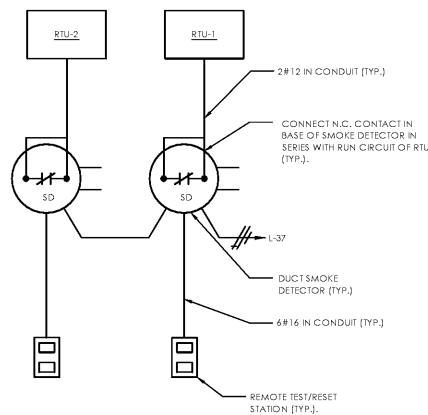
NOTES:
1. COORDINATE LOCATION OF DISCONNECT WITH MECHANICAL CONTRACTOR. ROUTE CONDUIT THRU ROOF. SEAL ROOF PENETRATION WATER TIGHT USING METHOD APPROVED BY ROOFING MANUFACTURER. DO NOT PENETRATE DRAIN PAN WITH CONDUITS.
2. REFER TO SHEET E-201 FOR LOCATION.

C3 RTU-1 & RTU-2 Detail
SCALE: N.T.S.



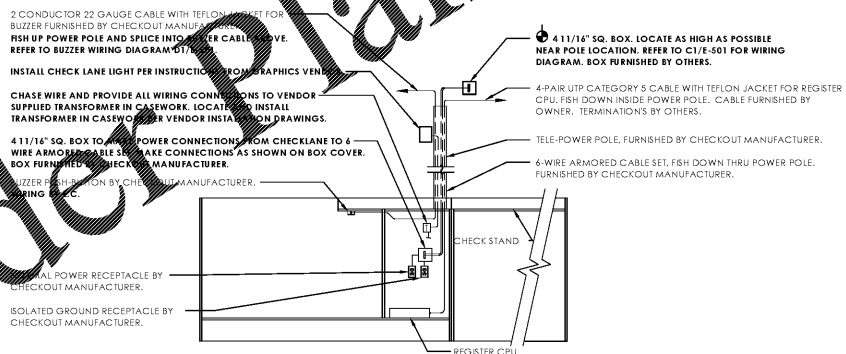
NOTES:
1. ALL LOW VOLTAGE CONDUCTORS SHALL BE MINIMUM 18 GAUGE AND U.L. RATED FOR USE IN AIR HANDLING PLenums. WIRING SHALL BE IN CONDUIT WHERE EXPOSED IN BACK ROOM AND SALES AREA.
2. EXISTING BELL AND BUZZER SYSTEM TO REMAIN. MODIFY AS NECESSARY FOR NEW EQUIPMENT.

D1 Bell and Buzzer Wiring Diagram
SCALE: N.T.S.



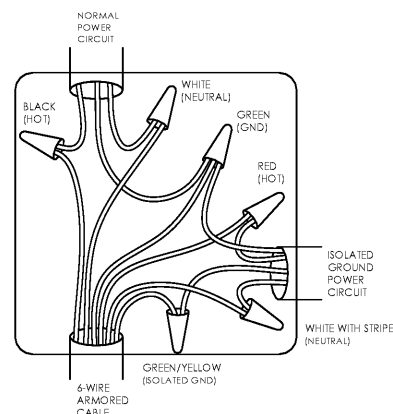
NOTES:
1. REFER TO DETAIL C3/E-501 FOR LOCATION OF SMOKE DETECTORS.
2. REFER TO DETAIL B1/E-502 FOR LOCATION OF REMOTE TEST STATIONS.
3. SMOKE DETECTORS FURNISHED AND INSTALLED BY M.C. ALL WIRING BY E.C.

C2 Duct Smoke Detector Wiring Detail
SCALE:



NOTES:
1. **BOLD PRINT TEXT IN DETAIL INDICATES WORK BY THE ELECTRICAL CONTRACTOR.** LIGHT PRINT TEXT IN DETAIL INDICATES WORK BY OTHERS.
2. **ALL CONDUITS TO CHECKOUTS SHALL BE RUN AS HIGH AS POSSIBLE. COMBINE POWER CIRCUITS IN COMMON CONDUIT. PROVIDE DEDICATED 2" CONDUIT AND JUNCTION BOX ABOVE ALL CHECKOUTS FOR LOW VOLTAGE WIRING. COORDINATE FINAL CONDUIT ROUTING AND CONCEALMENT WITH ALDI REP FOR APPROVAL PRIOR TO ROUGH IN.**

C1 Checkout Wiring Detail
SCALE: N.T.S.



B1 Checkout Wiring Diagram
SCALE: N.T.S.

WWW.LDILine.com

Order Plans @

Issued:	Date:
A Client Review Set	01/21/21
B Permit Set	02/03/21
C Bid Set	02/12/21
D	

Revisions:	Date:
1	
2	
3	
4	
5	
6	
7	
8	
9	

DO NOT SCALE PLANS
Copying, Printing, Software and other processes required to produce these prints can stretch or shrink the actual paper or layout. Therefore, scaling of this drawing may be inaccurate. Contact us consultants with any need for additional dimensions or clarifications.

ms consultants, inc.
engineers, architects, planners
5444 Wade Park Blvd.
Suite 160
Raleigh, NC 27607-4299
phone 919.772.5565
fax 919.779.2308

DRAWN BY: RWN
REVIEWED BY: KFF

Seal ENGINEER FIRM LICENSE #C-3239

PROFESSIONAL OF RECORD:
JASON E. CHRISTOFF No. 6201061051
EXP. DATE: 10/31/2020

ALDI Inc.
1985 Old Union Church Road
Salisbury, NC 28146
(704) 642-0073
(704) 642-0078 fax

ALDI Inc.
Store No. 87
2526 Freedom Dr
Charlotte, NC 28208
Mecklenburg County
Project Name & Location:

Electrical Details	
Drawing Name:	
Prototype Rls. 06/03/20	Project No. 40452-30
Type 100x154 FMR	
	E-501
Scale: As Noted	Drawing No.

D

C

B

A