

PLUMBING LEGEND

SYMBOL & ABBREV	ITEM	SYMBOL	ABBREV	ITEM
	CW		GV	GATE VALVE
	HW		BV	BALL VALVE
	TW		CV	CHECK VALVE
	HWR		GC	GAS COCK
	G		RD	ROOF DRAIN CLEAN OUT
	SAN		DPCO	WALL PLATE CLEAN OUT
	V		WPCO	WALL PLATE CLEAN OUT
	ST			TRAPPED DRAIN
	CD			TEE - UP
	CONNECT TO EXISTING			TEE - DOWN
				TEE
				ELBOW - UP
				ELBOW DOWN
				ELBOW
				UNION

FIXTURE CONNECTION SCHEDULE

DESCRIPTION & SYMBOL	CONNECTION SIZE				
	HOT	TEMPERED	COLD	WASTE	VENT
SINK (SK-A)	---	3/8"	3/8"	1-1/2"	1-1/2"
GARBAGE DISPOSAL (GD-A)	---	---	---	1-1/2"	---
DISHWASHER (DW-A)	3/8"	---	---	7/8" AG-1	---
WATER HEATER (EWH-1)	3/4"	---	3/4"	---	---
DRINKING FOUNTAIN (DF-A & B)	---	---	3/8"	1-1/2"	1-1/2"

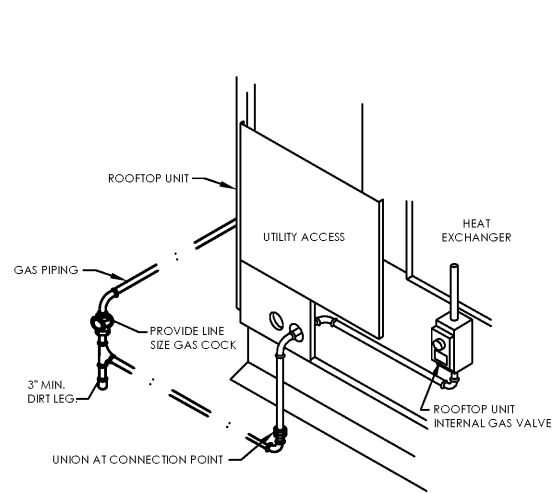
*1/2" ROUGH-IN, 3/8" SUPPLY

SANITARY NOTE:

PRIOR TO BID, P.C. AND G.C. SHALL VERIFY SANITARY SEWER SYSTEM LOCATION, ROUTING, PITCHES, INVERTS, SIZES AND TIE-IN POINT. ALL SEWER SYSTEM INFORMATION SHALL BE COORDINATED WITH ALDI, INC. REPRESENTATIVE AT TIME OF BID WALK-THROUGH. INFORM PLUMBING ENGINEER OF ANY AND ALL DISCREPANCIES FROM WORK SHOWN ON PLUMBING DRAWINGS PRIOR TO BID DATE.

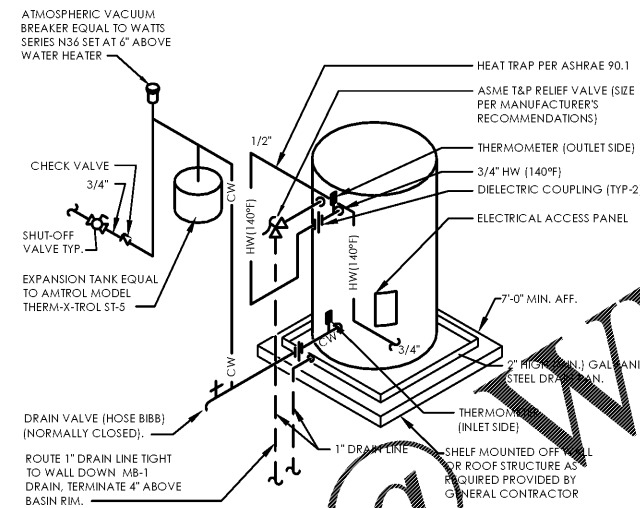
PLUMBING MATERIAL LIST

FIXTURE	SYMBOL	DESCRIPTION
SINK	SK-A	SINK (ADA COMPLIANT, UNDERMOUNT, SINGLE COMPARTMENT, CENTER REAR DRAIN) - FURNISHED BY ALDI VENDOR WITH COUNTERTOP. INSTALLED BY CONTRACTOR. ASSEMBLY AMERICAN STANDARD 6409.170 LEDGE TYPE FAUCET WITH 8" SPOUT, AERATOR & WRISTBLADE HANDLES. 17 GA. C.P. BRASS CONTINUOUS WASTE. ADJ. CHROME PLATED CAST BRASS TRAP. INSULATE AS PER SPEC.
ELECTRIC WATER HEATER	EWH-1	ELECTRIC WATER HEATER - RHEEM PROE201RHP0U, 19.9 GALLON CAPACITY, 2.0 KW, 120 VOLTS, 1 PHASE, U.L. LISTED, GLASS LINED TANK, THERMOSTAT, MAGNESIUM ANODE ROD, HIGH TEMPERATURE CUT-OFF, BRASS DRAIN VALVE AND T & P RELIEF VALVE. PIPE RELIEF VALVE DOWN TO MOP BASIN, MAXIMUM 26" HIGH, WITH SIDE CONNECTIONS. UNIT SHALL CONFORM TO ASHRAE 90 OR LATEST VERSION.
EXPANSION TANK		AMTROL THERM-X-TROL ST-5, 2.1 GAL. MAX. ACCEP. FACTOR. 43.
HUB DRAIN	HD-1	HUB DRAIN - OPEN-ENDED CAST IRON HUB DRAIN PIPE, FULL PIPE SIZE, WITH DEEP SEAL TRAP. INSTALL DRAINS OUT OF LIFT TRUCK TO MOP WAY.
DRINKING FOUNTAINS WITH BOTTLE FILLER	DF-A	DRINKING FOUNTAIN - ELKAY MODEL LZ58LF, SS DRINKING FOUNTAIN, WALL MOUNT WITH SAFETY BUBBLER, FRONT PUSH BUTTON CONTROL, BOTTLE FILLING STATION, ELECTRONIC BOTTLE FILLER SENSOR, GREEN TICKER, 1/2" DRAIN AND TRAP ASSEMBLY PROVIDED BY P.C., MOUNT ON ELKAY MODEL MPW200 IN-WALL SUPPORT MOUNTING PLATE WITH MODEL ML-100 IN-WALL CARRIER LEGS.
	DF-B	DRINKING FOUNTAIN WITH BOTTLE FILLER - ELKAY MODEL LZ58WSLP, SS DRINKING FOUNTAIN, WALL MOUNT WITH SAFETY BUBBLER, FRONT PUSH BAR CONTROL, 1/2" DRAIN AND TRAP ASSEMBLY PROVIDED BY P.C., MOUNT ON ELKAY MODEL MPW200 IN-WALL SUPPORT MOUNTING PLATE WITH MODEL ML-100 IN-WALL CARRIER LEGS.
	FOR DF-A & B	DRINKING FOUNTAIN MOUNTING EQUIPMENT - PROVIDE ELKAY MODEL MPW200 IN-WALL MOUNTING (CARRIER) PLATE FOR BI-LEVEL MOUNTING. PROVIDE ELKAY MODEL ML100 IN-WALL (CARRIER) PLATE MOUNTING LEGS. SECURE TO FLOOR.
ROOF HYDRANT	RH-1	WOODFORD SRH-MS - HOSE CONNECTION BACKFLOW PREVENTER, MODEL 50H WITH 1/2" TIE CONNECTION, ASSE 1052 LISTED, FIELD TESTABLE DUAL CHECK HOLDS AGAINST 125 PSI BACKFLOW PRESSURE. 1/2" FEMALE INLET CONNECTION, 1/2" U.S. MADE GALVANIZED PIPE. MAXIMUM WORKING PRESSURE: 100 PSI, MAXIMUM TEMPERATURE 120°F.
WATER HAMMER SHOCK ABSORBER	SA-A	WATER HAMMER DEVICE - EQUAL TO PPP INC. SIZED PER LINE SIZE AND FIXTURE UNITS.
ANTI-FREEZE WALL HYDRANT	WH-1	ANTI-FREEZE WALL HYDRANT - WOODFORD SRH-MS WITH VACUUM BREAKER, FREEZE RESISTANT, AUTOMATIC DRAINING, FLUSH MOUNT WITH WALL BOX AND LOCKING COVER, FURNISH WITH (2) EXTRA KEYS.
FLOOR SINK	FS-1	VAC SINK - FIAT MSB-2424, 24"X24"X10", MOLDING TONE INTEGRAL DRAIN AND STAINLESS STEEL STRAINER, G.C. TO PROVIDE 1/2" CLEAR ACRYLIC COVER ATTACHING TO FLOOR SINK WITH 1/2" GALVANIZED HEX HEAD SELF TAPPING SCREWS. PROVIDE CUTOUPS FOR PIPE PENETRATIONS.
REDUCED PRESSURE BACKFLOW (On Vac Fill Line)	RP2-A	WATTS 3/4" LF000 - 1/2" LEAD LINE REDUCED PRESSURE BACKFLOW PREVENTER, 12 PSI PRESSURE LOSS @ 4 GPM (VAC. PUMP), ASSE 1013 AWWA C511-92 WITH 1/2" TIE.



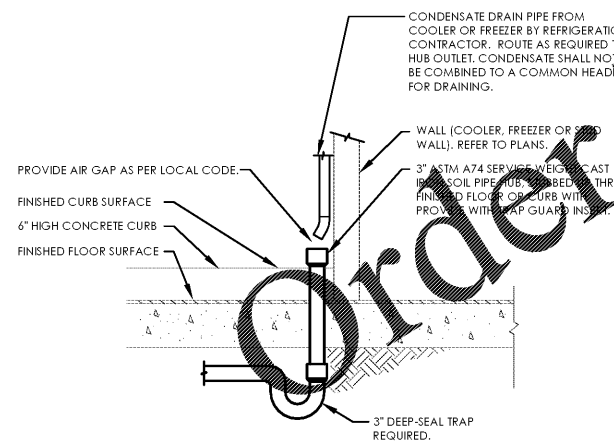
D2 Rooftop Unit Gas Piping Detail

SCALE: NONE



C2 Water Heater Piping Diagram

SCALE: N.T.S.



D1 Back Room Condensate Drain Connection Detail

SCALE: NONE

GENERAL PLUMBING NOTES:

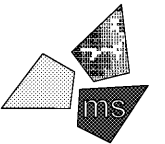
- PRIOR TO BID, P.C. AND G.C. SHALL VERIFY SANITARY SEWER SYSTEM LOCATION, ROUTING, PITCHES, INVERTS, SIZES AND TIE-IN POINT. ALL SEWER SYSTEM INFORMATION SHALL BE COORDINATED WITH ALDI, INC. REPRESENTATIVE AT TIME OF BID WALK-THROUGH. INFORM PLUMBING ENGINEER OF ANY AND ALL DISCREPANCIES FROM WORK SHOWN ON PLUMBING DRAWINGS PRIOR TO BID DATE.
- GAS METER BY UTILITY CO. PROVIDE CONCRETE PAD UNDER METER AS REQUIRED BY THE UTILITY CO. 10"W. C. MIN. AT GAS METER. PIPE SIZES BASED ON INTERNATIONAL FUEL GAS CODE, 0.5 INCH W.C. PRESSURE DROP AND 0.6 S.G.
- MAIN GAS SHUT-OFF VALVE ON VERTICAL OFFSET TAGGED AND LABELED. 3'-0" AFF.
- ROUTE GAS LINE UP ALONG WALL. ENTER ABOVE INTERIOR CEILING HEIGHT, AND ROUTE TIGHT TO UNDERSIDE OF JOISTS.
- ALL GAS PIPING SHALL BE INSPECTED AND TESTED IN ACCORDANCE WITH THE REQUIREMENTS OF INTERNATIONAL FUEL GAS CODE SECTION 406.1.
- ALL ELEVATIONS ARE TAKEN FROM FINISHED FLOOR: 0'-0"
- IF REQUIRED BY LOCAL CODE USE CAST IRON PIPE IN LIEU OF PVC PIPE FOR SANITARY AND STORM.
- ALL FLOOR DRAINS AND CLEANOUTS IN QUARRY AND CERAMIC TILE FLOOR SHALL BE NICKEL BRONZE. FLOOR DRAINS AND CLEANOUTS IN BACKROOM AND UTILITY ROOM WILL BE CAST IRON.
- IF REQUIRED BY LOCAL UTILITY CO. WATER METER SHALL BE PROVIDED WITH REMOTE READING.
- CAULK ALL CLEANOUT GRATINGS FLUSH TO AVOID TRAPPING OF DIRT.
- ALL PIPING AT WALLS SHALL BE WITHIN CURB DEPTH.
- DOMESTIC WATER PIPING DOWNSTREAM OF PRESSURE REDUCING VALVE MAY USE CPVC FOR POTABLE WATER IN LIEU OF COPPER PIPING.
- ALL PLUMBING PIPING SHALL BE ROUTED AROUND ELECTRICAL AREAS WHERE POSSIBLE. IF ROOF DRAINS ARE OVER THE AREA, DRIP PAN SHALL BE INSTALLED UNDER THE ENTIRE LENGTH OF EACH PIPE OVER THE SENSITIVE AREA OVER THE ROOM, CHANNELING WATER AWAY SO AS TO PREVENT ANY LEAKS IN THE AREA. AT THE LOWER SEGMENT OF DRIP PAN, ROUTE DRAIN TO NEAREST APPROVED RECEPTACLE WITH AN APPROVED AIR GAP PER CODE. CONTRACTOR SHALL REVIEW ALL DRAWING PRIOR TO CONSTRUCTION, AND REPORT IF THIS CONDITION EXISTS.

Issued:	Date:
A Client Review Set	01/21/21
B Permit Set	02/03/21
C Bid Set	02/12/21
D	

Revisions:	Date:
1	
2	
3	
4	
5	
6	
7	
8	
9	

DO NOT SCALE PLANS

Copying, Printing, Software and other processes required to produce these prints can stretch or shrink the actual paper or layout. Therefore, scaling of this drawing may be inaccurate. Contact ms consultants with any need for additional dimensions or clarifications.

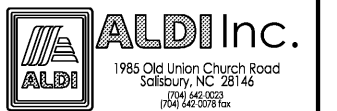


ms consultants, inc.
engineers, architects, planners
5444 Wade Park Blvd.
Suite 160
Raleigh, NC 27607-4299
phone 919.772.5565
fax 919.779.2308

DRAWN BY: RWN
REVIEWED BY: KFF

Seal ENGINEER FIRM LICENSE #C-3239

PROFESSIONAL OF RECORD:
JASON E. CHRISTOFF No. 6201061051
EXP. DATE: 10/31/2020



ALDI Inc.
Store No. 87
2526 Freedom Dr
Charlotte, NC 28208
Mecklenburg County
Project Name & Location:

Plumbing Schedules

Drawing Name:	Project No.
Prototype Rls. 06/03/20	40452-30
Type 100x154 FMR	
	P-501
Scale: As Noted	Drawing No.