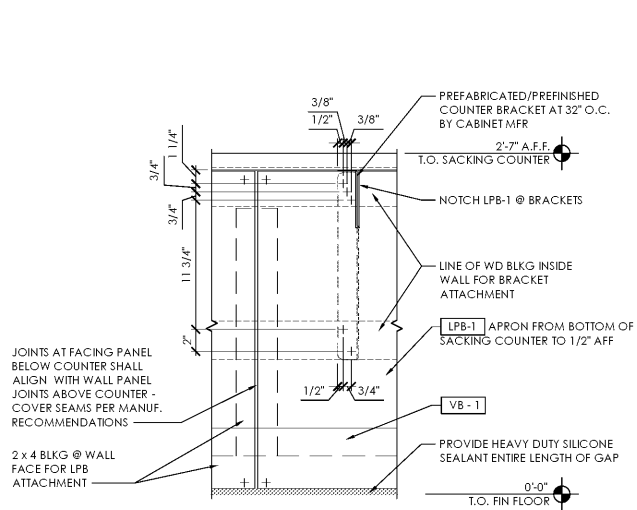
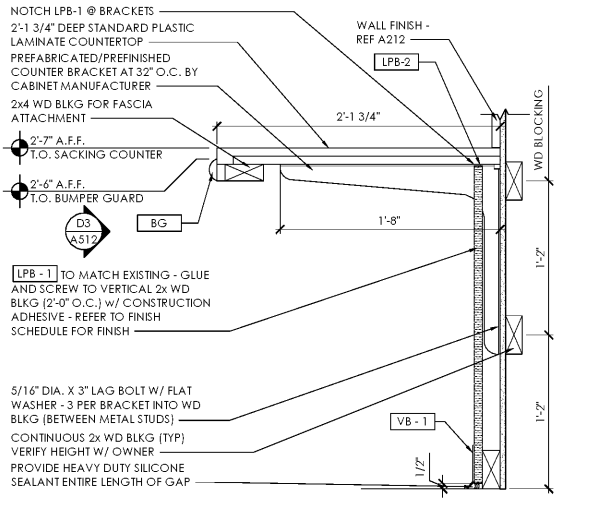


File Name: N:\D062\40452\30 - CHARLOTTE, NC\DOCS\CAD\A511-A512 - INTERIOR DETAILS DWG Author: TOWLE, BRENDON Plot Date: 2/12/2021

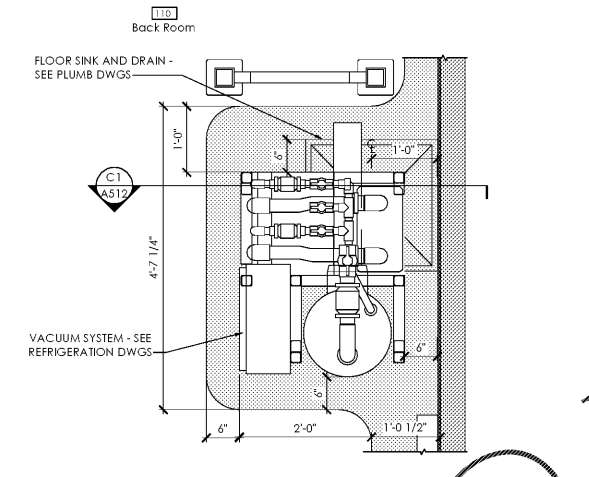
**D3 Interior Elevation Detail: Sacking Counter**  
SCALE: 1 1/2" = 1'-0"



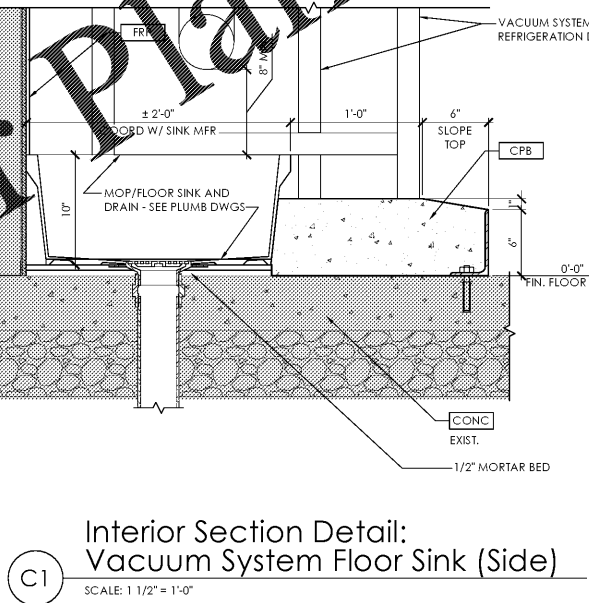
**C3 Interior Section Detail: Sacking Counter**  
SCALE: 1 1/2" = 1'-0"



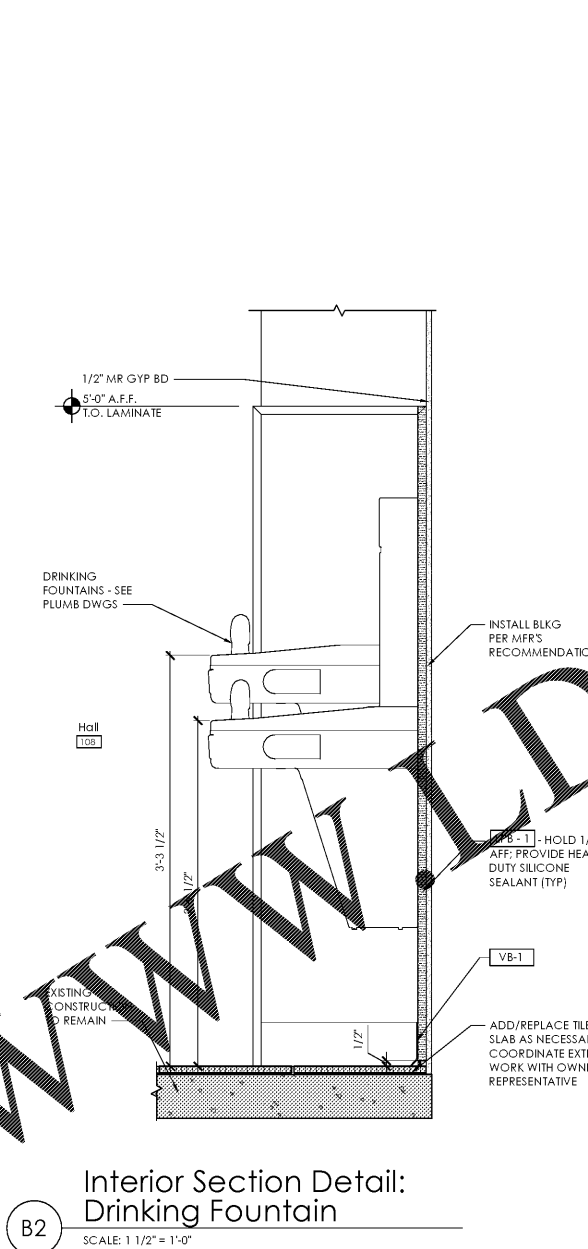
**C2 Interior Plan Detail: Vacuum System**  
SCALE: 3/4" = 1'-0"



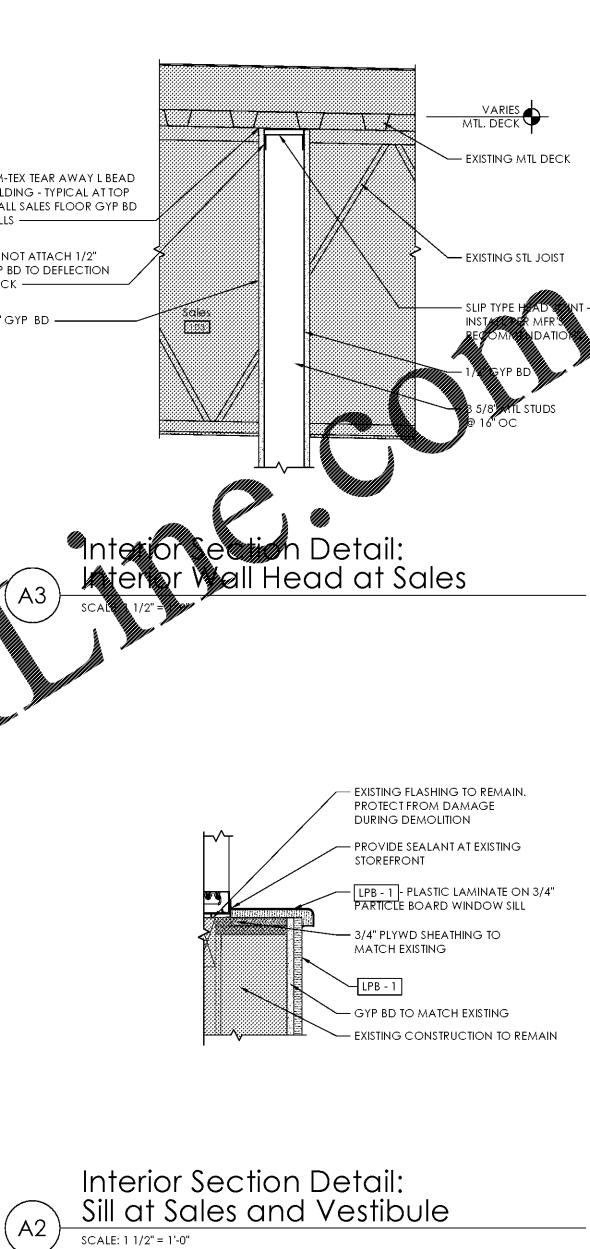
**C1 Interior Section Detail: Vacuum System Floor Sink (Side)**  
SCALE: 1 1/2" = 1'-0"



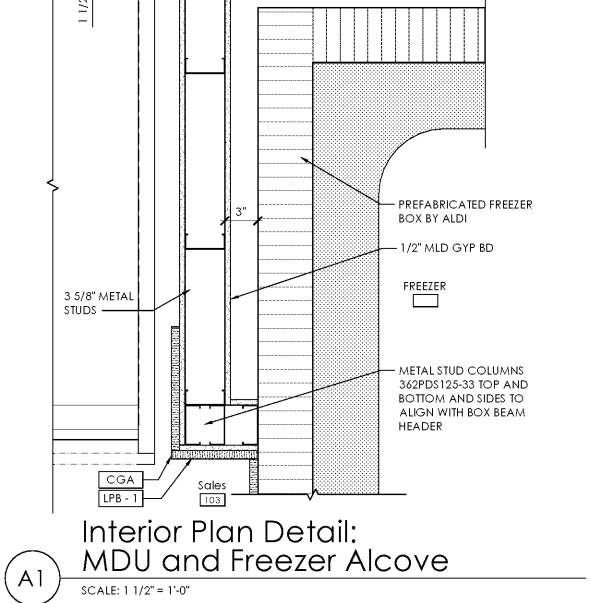
**B2 Interior Section Detail: Drinking Fountain**  
SCALE: 1 1/2" = 1'-0"



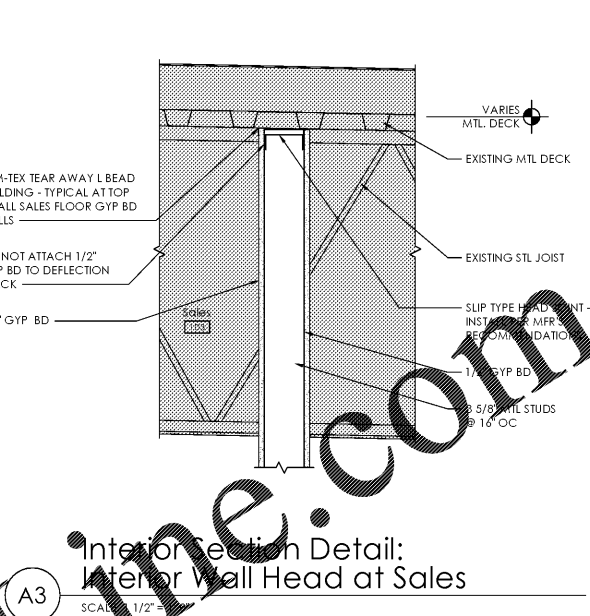
**A2 Interior Section Detail: Sill at Sales and Vestibule**  
SCALE: 1 1/2" = 1'-0"



**A1 Interior Plan Detail: MDU and Freezer Alcove**  
SCALE: 1 1/2" = 1'-0"



**A3 Interior Section Detail: Interior Wall Head at Sales**  
SCALE: 1 1/2" = 1'-0"



Issued:		Date:
A	Client Review Set	01/21/21
B	Permit Set	02/03/21
C	Bid Set	02/12/21
D		

Revisions:		Date:
1		
2		
3		
4		
5		
6		
7		
8		
9		

**DO NOT SCALE PLANS**  
Copying, Printing, Software and other processes required to produce these prints can stretch or shrink the actual paper or layout. Therefore, scaling of this drawing may be inaccurate. Contact your consultants with any need for additional dimensions or clarifications.

**ms consultants, inc.**  
engineers, architects, planners  
5444 Wade Park Blvd.  
Suite 160  
Raleigh, NC 27607-4299  
phone 919.772.5565  
fax 919.779.2308

DRAWN BY: SCG/MEM  
REVIEWED BY: NAL/CMB

Seal  
PROFESSIONAL OF RECORD:  
CHARLES M. BUSCH No. 14751  
EXP. DATE: 06/30/2021

**ALDI Inc.**  
1985 Old Union Church Road  
Salisbury, NC 28146  
(704) 642-0023  
(704) 642-0078 fax

ALDI Inc.  
Store No. 87  
2526 Freedom Dr  
Charlotte, NC 28208  
Mecklenburg County  
Project Name & Location:

Interior Details  
Drawing Name:  
Prototype Rls. 06/03/20  
Type: 00x154 FMR  
Project No. 40452-30  
A-512

Scale: As Noted Drawing No.

Order Plans @

WWW.DILINE.COM

D

C

B

A

1

2

3