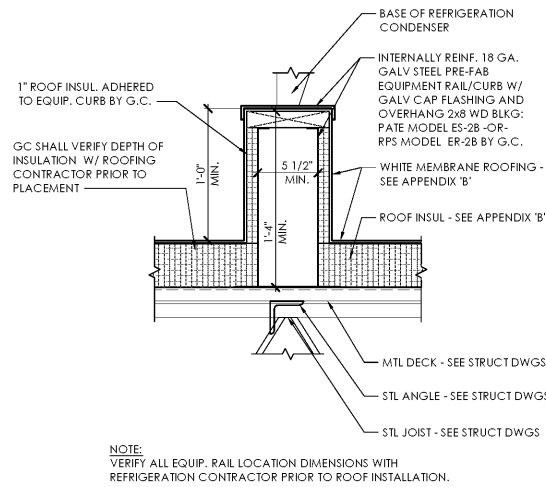
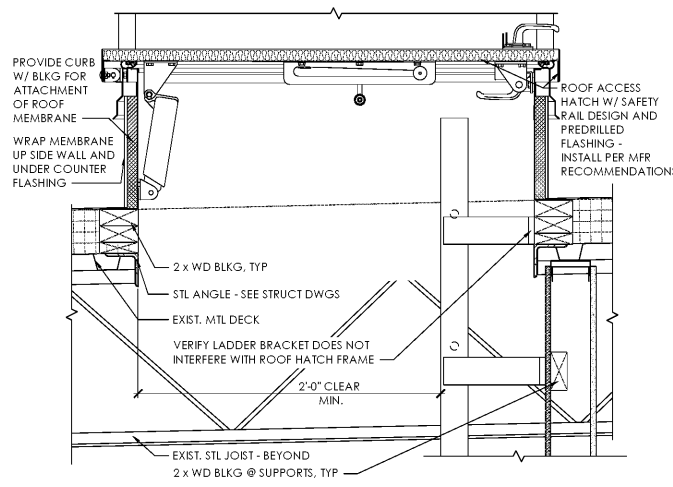


File Name: N:\D062\4045230 - CHARLOTTE, NC\DOCS\CAD\A501 - EXTERIOR DETAILS DWG Author: TOWLE, BRENDON Plot Date: 2/12/2021

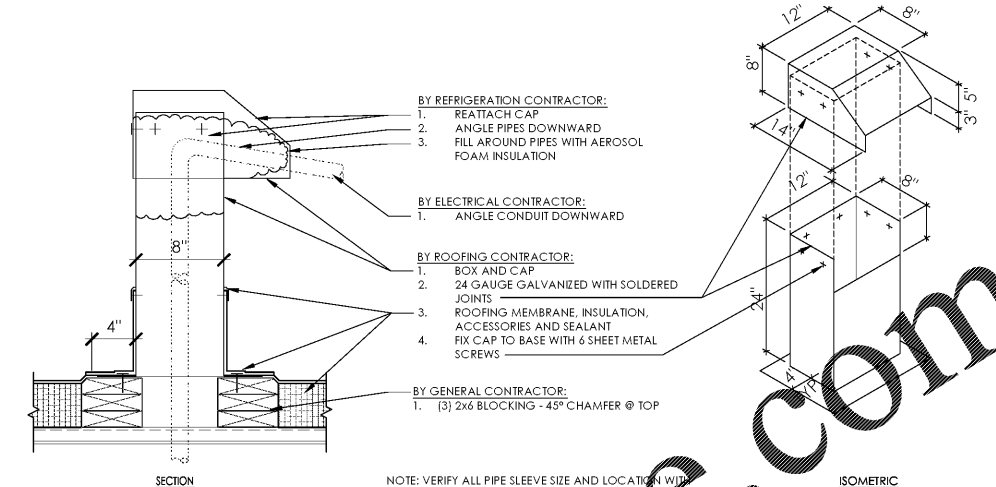
**D3** Exterior Section Detail: Equipment Rail  
SCALE: 1 1/2" = 1'-0"



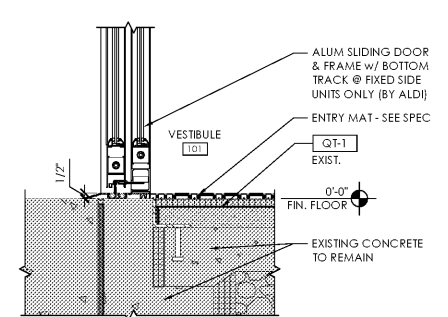
**C3** Exterior Section Detail: Roof Hatch  
SCALE: 1 1/2" = 1'-0"



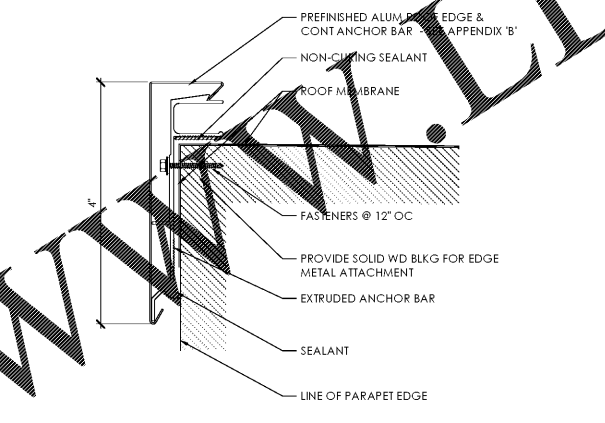
**A3** Exterior Section Detail: Multiple Pipe Boot Curb  
SCALE: 1 1/2" = 1'-0"



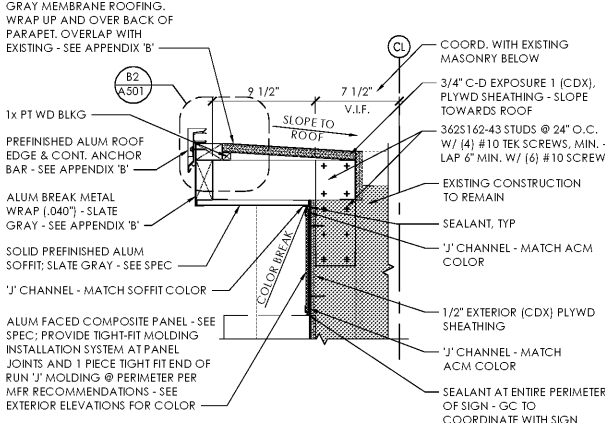
**C2** Exterior Section Detail: Entry / Exit Door  
SCALE: 1 1/2" = 1'-0"



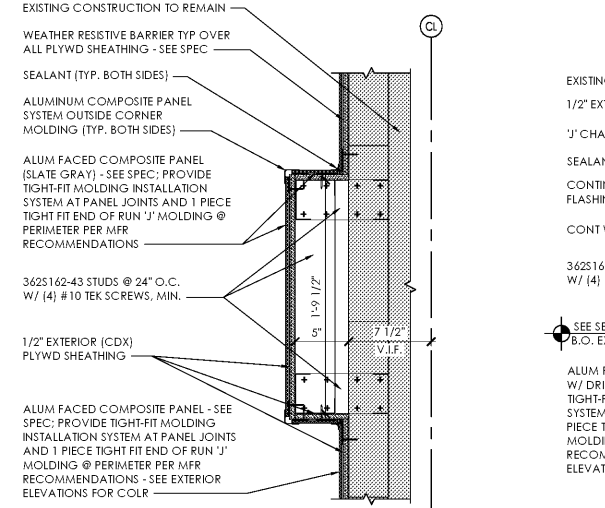
**B2** Exterior Section Detail: Roof Edge Fascia and Anchor Bar  
SCALE: 1 1/2" = 1'-0"



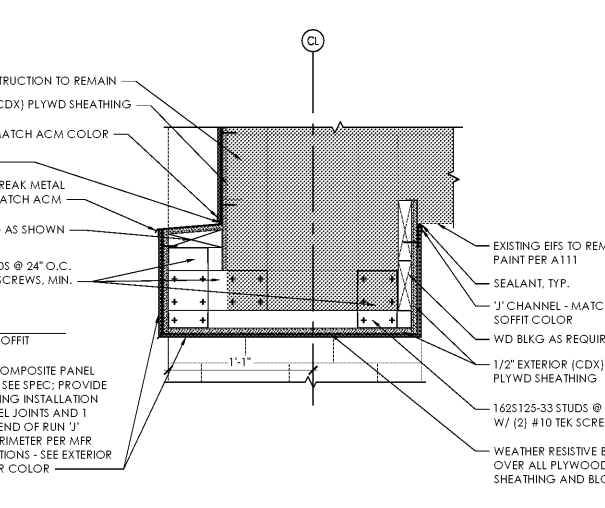
**A2** Exterior Section Detail: Tower Parapet  
SCALE: 1 1/2" = 1'-0"



**B1** Exterior Plan Detail: ACP Bump Out at Tower  
SCALE: 1 1/2" = 1'-0"



**A1** Exterior Section Detail: Tower Band  
SCALE: 1 1/2" = 1'-0"



Order Plans @

WWW.LDILLING.COM

| Issued:             | Date:    |
|---------------------|----------|
| A Client Review Set | 01/21/21 |
| B Permit Set        | 02/03/21 |
| C Bid Set           | 02/12/21 |
| D                   |          |

| Revisions: | Date: |
|------------|-------|
| 1          |       |
| 2          |       |
| 3          |       |
| 4          |       |
| 5          |       |
| 6          |       |
| 7          |       |
| 8          |       |
| 9          |       |

**DO NOT SCALE PLANS**  
Copying, Printing, Software and other processes required to produce these prints can stretch or shrink the actual paper or layout. Therefore, scaling of this drawing may be inaccurate. Contact us consultants with any need for additional dimensions or clarifications.

**ms consultants, inc.**  
engineers, architects, planners  
5444 Wade Park Blvd.  
Suite160  
Raleigh, NC 27607-4299  
phone 919.772.5565  
fax 919.779.2308

|              |         |
|--------------|---------|
| DRAWN BY:    | SCG/MEM |
| REVIEWED BY: | NAL/CMB |

Seal

PROFESSIONAL OF RECORD:  
CHARLES M. BUSCH No. 14751  
EXP. DATE: 06/30/2021

**ALDI Inc.**  
1985 Old Union Church Road  
Salisbury, NC 28146  
(704) 642-0022  
(704) 642-0078 fax

ALDI Inc.  
Store No. 87  
2526 Freedom Dr  
Charlotte, NC 28208  
Mecklenburg County  
Project Name & Location:

|                            |                         |
|----------------------------|-------------------------|
| Exterior Details           |                         |
| Drawing Name:              |                         |
| Prototype Rls.<br>06/03/20 | Project No.<br>40452-30 |
| Type100x154 FMR            |                         |
|                            | A-501                   |
| Scale: As Noted            | Drawing No.             |

D

C

B

A