

ALL DESIGNS, DRAWINGS AND SPECIFICATIONS DEPICTED ON THIS SHEET ARE THE PROPERTY OF D3 STUDIO, PLLC. ANY UNAUTHORIZED USE OR REPRODUCTION IS SUBJECT TO LEGAL PROSECUTION. POSSESSION IN ANY FORM CONSTITUTES ACCEPTANCE OF THESE CONDITIONS. COPYRIGHT 2021

**EXHAUST FAN INFORMATION - JOB#4663326**

FAN UNIT NO	TAG	QTY	FAN UNIT MODEL #	MANUFACTURER	CFM	ESP	RPM	MOTOR ENCL	HP	BHP	Ø	VOLT	FLA	DISCHARGE VELOCITY	WEIGHT (LBS)	SONES
1		1	DUI80HFA	CAPTIVEAIRE	1788	1.200	1061	ODP,PREMIUM	1.000	0.7680	3	208	3.8	413 FPM	148	12.4

**MUA FAN INFORMATION - JOB#4663326**

FAN UNIT NO	TAG	QTY	FAN UNIT MODEL #	BLOWER	HOUSING	MIN CFM	DESIGN CFM	ESP	RPM	MOTOR ENCL	HP	BHP	Ø	VOLT	FLA	MCA	MOCF	WEIGHT (LBS)	SONES
2		1	A1-D.250-15D	15MF-1-MDD	A1-D.250	1000	1430	0.400	1587	ODP,PREMIUM	1.000	0.6080	3	208	3.1	3.9A	15A	506	14

**CAS FIRED MAKE-UP AIR UNIT(S)**

FAN UNIT NO	TAG	INPUT BTUs	OUTPUT BTUs	TEMP RISE	REQUIRED INPUT GAS PRESSURE	GAS TYPE	BURNER EFFICIENCY(%)
2		80252	73832	50°F	7 IN. W.C. - 14 IN. W.C.	NATURAL	92

**FAN OPTIONS**

FAN UNIT NO	TAG	QTY	DESCRIPTION
2		1	GREASE BOX.
		1	AC INTERLOCK RELAY - 24VAC COIL.
		1	MOTORIZED BACKDRAFT DAMPER FOR A1-D HOUSING. MEETS AMCA CLASS 1A RATING.
		1	LDV FIRE START.
		1	INLET PRESSURE GAUGE, 0-35".
		1	MANIFOLD PRESSURE GAUGE, -5 TO 15" W.C.
		1	SEPARATE 120V WIRING PACKAGE (REQUIRED AND USED ONLY FOR DCV OR PREWIRE WITH VFD) - THREE PHASE ONLY.

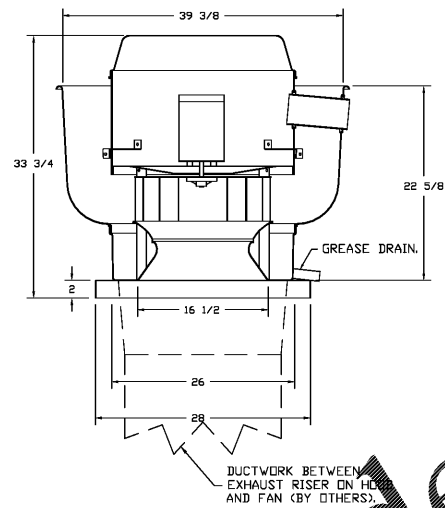
**FAN ACCESSORIES**

FAN UNIT NO	TAG	EXHAUST				SUPPLY		
		GREASE CUP	GRAVITY DAMPER	WALL MOUNT	SIDE DISCHARGE	GRAVITY DAMPER	MOTORIZED DAMPER	WALL MOUNT
1		YES						
2							YES	

**CURB ASSEMBLIES**

NO	ON FAN	WEIGHT	ITEM	SIZE
1	# 1	34 LBS	CURB	26.500"W X 26.500"L X 26.000"H VENTED HINGED.
2	# 2	63 LBS	CURB	21.000"W X 71.000"L X 16.000"H INSULATED.

**FAN #1 DUI80HFA - EXHAUST FAN**



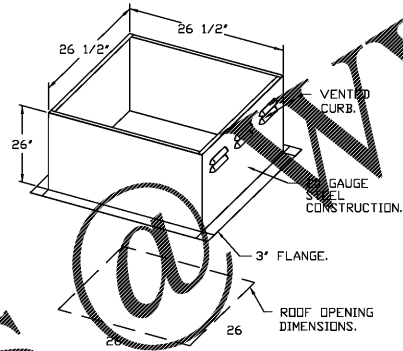
**FEATURES:**

- DIRECT DRIVE CONSTRUCTION (NO BELTS/PULLEYS).
- ROOF MOUNTED FANS.
- RESTAURANT MODEL.
- UL705 AND UL762 AND ULC-S645
- VARIABLE SPEED CONTROL.
- INTERNAL WIRING.
- THERMAL OVERLOAD PROTECTION (SINGLE PHASE).
- HIGH HEAT OPERATION 300°F (149°C).
- GREASE CLASSIFICATION TESTING.
- NEMA 3R SAFETY DISCONNECT SWITCH.

**NORMAL TEMPERATURE TEST**  
EXHAUST FAN MUST OPERATE CONTINUOUSLY WHILE EXHAUSTING AIR AT 300°F (149°C) UNTIL ALL FAN PARTS HAVE REACHED THERMAL EQUILIBRIUM, AND WITHOUT ANY DETERIORATING EFFECTS TO THE FAN WHICH WOULD CAUSE UNSAFE OPERATION.

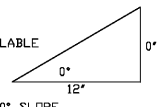
**ABNORMAL FLARE-UP TEST**  
EXHAUST FAN MUST OPERATE CONTINUOUSLY WHILE EXHAUSTING BURNING GREASE VAPOR AT 600°F (316°C) FOR A PERIOD OF 15 MINUTES WITHOUT THE FAN BECOMING DAMAGED OR ANY EXHAUST THAT WOULD CAUSE AN UNSAFE CONDITION.

**OPTIONS**  
GREASE BOX.



PITCHED CURBS ARE AVAILABLE FOR PITCHED ROOFS.

SPECIFY PITCH:  
EXAMPLE: 7/12 PITCH = 30° SLOPE.



**Order Plans**

**REVISIONS**

REVISION	DESCRIPTION	DATE
Δ		
Δ		
Δ		
Δ		

**CAPTIVEAIRE**

**Piedmont Office**  
6303 Carmel Road, Suite 105, Charlotte, NC, 28226 PHONE: (704) 844-9088 FAX: (919) 227-5952 EMAIL: rgs00@captiveaire.com  
www.captiveaire.com

Viva Chicken - Greenville SC  
GREENVILLE, SC, 29601

**DATE:** 12/21/2020  
**DWG.#:** 4663326  
**DRAWN BY:** agrant  
**CHECKED BY:** BRD  
**SCALE:** 3/4" = 1'-0"  
**MASTER DRAWING**

**SHEET NO.**  
2

**d3 studio**  
PLANNING • ARCHITECTURE • INTERIORS  
1318 CENTRAL AVENUE :: SUITE A-10  
CHARLOTTE, NC 28205  
WEBSITE :: www.d3studio.com

**WAVE ENGINEERING**  
3546 DUNSTON WAY, SUITE 800  
CHARLOTTE, NC 28277  
REG.#28-2782  
INFORMWAYS-ENGINEERING.COM  
WAVE PROJECT #W01718

**SOUTH CAROLINA**  
**WAVE ENGINEERING**  
PLLC  
130 S. W. 11  
NO. 5558  
STATE OF AUTHORIZATION

**SOUTH CAROLINA**  
**PROFESSIONAL**  
No. 2290  
ROBERT W. WILSON  
02.08.2021

**FOR CONSTRUCTION**

**Viva Chicken.**  
PERUVIAN ROTISSERIE JOINT  
1139 WOODRUFF RD.  
-SUITE B  
GREENVILLE, SC  
29607

**REVISION**

no.	date	comment

**DRAWN BY:** agrant  
**CHECKED BY:** BRD  
**SUBMITTAL DATE:** 02.08.2021  
**PROJECT NUMBER:** 02-2031

MECHANICAL HOOD DRAWINGS

**M3.02**