

ALL DESIGNS, DRAWINGS AND SPECIFICATIONS DEPICTED ON THIS SHEET ARE THE PROPERTY OF D3 STUDIO, PLLC. ANY UNAUTHORIZED USE OR REPRODUCTION IS SUBJECT TO LEGAL PROSECUTION. POSSESSION IN ANY FORM CONSTITUTES ACCEPTANCE OF THESE CONDITIONS. COPYRIGHT 2021

HOOD INFORMATION - JOB#4663326

HOOD NO	TAG	MODEL	MANUFACTURER	LENGTH	MAX COOKING TEMP	TYPE	APPLIANCE DUTY	DESIGN CFM/FT	TOTAL EXH CFM	EXHAUST PLENUM RISER(S)				TOTAL SUPPLY CFM	HOOD CONSTRUCTION	HOOD CONFIG			
										WIDTH	LENG	HEIGHT	DIA			CFM	VEL	SP	END TO END
1		6624 ND-2-PSP-F	CAPTIVEAIRE	6' 6"	500 DEG	I	HEAVY	275	1788		4'	14'	1788	1673	-0.843"	1430	430 SS WHERE EXPOSED	ALONE	ALONE

HOOD INFORMATION

HOOD NO	TAG	FILTER(S)			EFFICIENCY @ 7 MICRONS	QTY	LIGHT(S)			UTILITY CABINET(S)				FIRE SYSTEM PIPING	HOOD HANGING WEIGHT		
		TYPE	QTY	HEIGHT			TYPE	WIRE GUARD	LOCATION	SIZE	FIRE SYSTEM	ELECTRICAL	SWITCHES				
1		CAPTRATE SDOLO FILTER	4	20"	16"	85% SEE FILTER SPEC	3	RECESSED	NO	RIGHT	12"x66"x24"	CAS ELECTRIC WET CHEMICAL	4.0/4.0	SC-311110MA	1 LIGHT 1 FAN	YES	798 LBS

HOOD OPTIONS

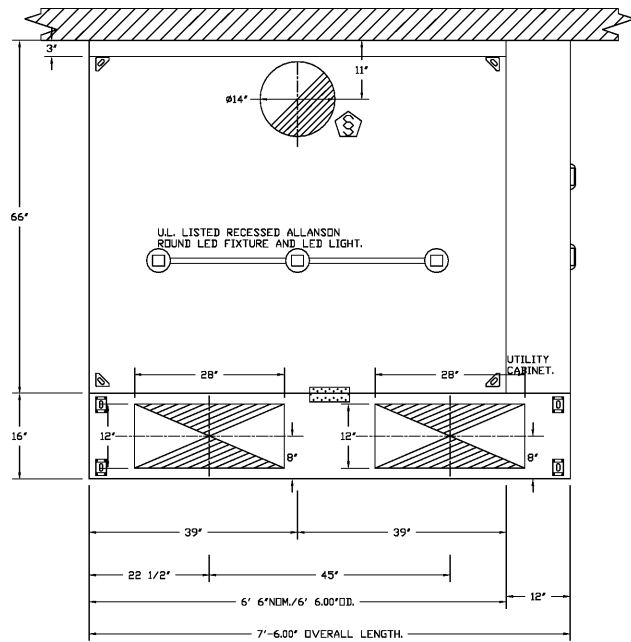
HOOD NO	TAG	OPTION
1		FIELD WRAPPER 17.00" HIGH FRONT, LEFT, RIGHT. BACKSPLASH 80.00" HIGH X 90.00" LONG 430 SS VERTICAL. RISER SENSOR INSTALL 3IN DBL.

FIRE SYSTEM INFORMATION - JOB#4663326

FIRE SYSTEM NO	TAG	TYPE	SIZE	FLOW POINTS	INSTALLATION	
					SYSTEM	LOCATION ON HOOD
1		CAS ELECTRIC WET CHEMICAL	4.0/4.0	8	FIRE CABINET RIGHT	RIGHT, HOOD 1

PERFORATED SUPPLY PLENUM(S)

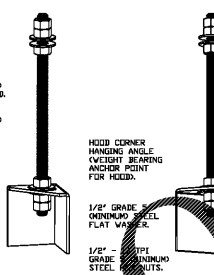
HOOD NO	TAG	POS	LENGTH	WIDTH	HEIGHT	TYPE	RISER(S)		
							WIDTH	LENG	DIA
1		Front	90"	16"	6"	MUA	12"	28"	715
						MUA	12"	28"	715



PLAN VIEW - HOOD #1
6' 6.00" LONG 6624ND-2-PSP-F

HOOD CORNER HANGING ANGLE (HARDWARE BY INSTALLER)

- 1/2" - 13 TPI GRADE 5 ORINUMINO STEEL HEX NUTS.
- 1/2" GRADE 5 ORINUMINO STEEL ALL-THREAD.
- 1/2" - 13 TPI GRADE 5 ORINUMINO STEEL FLAT WASHERS.
- 1/2" - 13 TPI GRADE 5 ORINUMINO STEEL HEX NUTS.
- 1/2" - 13 TPI GRADE 5 ORINUMINO STEEL FLAT WASHERS.
- 1/2" - 13 TPI GRADE 5 ORINUMINO STEEL FLAT WASHERS.
- 1/2" - 13 TPI GRADE 5 ORINUMINO STEEL FLAT WASHERS.



ASSEMBLY INSTRUCTIONS

HANGING ANGLE MUST BE SUPPORTED WITH 1/2" - 13 TPI GRADE 5 (MINIMUM) ALL-THREAD, SANDWICH HANGING ANGLES AND CEILING ANCHOR POINTS WITH 1/2" GRADE 5 (MINIMUM) STEEL FLAT WASHERS AND 1/2" - 13 TPI GRADE 5 (MINIMUM) HEX NUTS AS SHOWN. MUST USE DOUBLED HEX NUT CONFIGURATION BENEATH HOOD HANGING ANGLES AND ABOVE CEILING ANCHORS. MAINTAIN 1/4" OF EXPOSED THREADS BENEATH BOTTOM HEX NUT. TORQUE ALL HEX NUTS TO 57 FT-LBS.

CAPTIVE-AIRE HOODS ARE BUILT IN COMPLIANCE WITH



NFPA #96
NSF
UL 710 & ULC710 STANDARDS
E.T.L. LISTED 3054804-001

FOR QUESTIONS, CALL THE
CHARLOTTE, NORTH CAROLINA
AVERY GRANT
PHONE: 704-844-9088, FAX: 704-844-0599
EMAIL: reg308@captiveaire.com

SPECIFICATION: CAPTRATE® GREASE-STOP® SDOLO FILTER

THE CAPTRATE GREASE-STOP SDOLO FILTER IS A SINGLE-STAGE FILTER FEATURING A UNIQUE S-BAFFLE DESIGN IN CONJUNCTION WITH A SLOTTED REAR BAFFLE DESIGN, TO DELIVER EXCEPTIONAL FILTRATION EFFICIENCY.

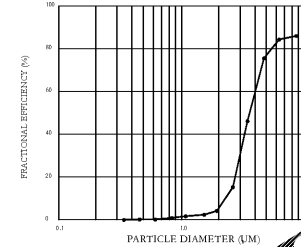
FILTER IS STAINLESS STEEL CONSTRUCTION, AND SIZED TO FIT INTO STANDARD 2-INCH DEEP HOOD CHANNEL(S).

UNITS SHALL INCLUDE STAINLESS STEEL HANDLES AND A FASTENING DEVICE TO SECURE THE TWO COMPONENTS WHEN ASSEMBLED.

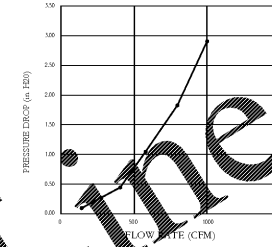
GREASE EXTRACTION EFFICIENCY PERFORMANCE SHALL REMOVE AT LEAST 75% OF GREASE PARTICLES FIVE MICRONS IN SIZE, AND 85% GREASE PARTICLES SEVEN MICRONS IN SIZE AND LARGER, WITH A CORRESPONDING PRESSURE DROP NOT TO EXCEED 1.0 INCHES OF WATER GAUGE.

THE CAPTRATE GREASE-STOP SDOLO WAS TESTED TO ASTM STANDARD ASTM F2519-05. MANUFACTURER APPROVED FOR USE IN SOLID FUEL APPLICATIONS AS A SPARK ARRESTER.

EFFICIENCY VS. PARTICLE DIAMETER

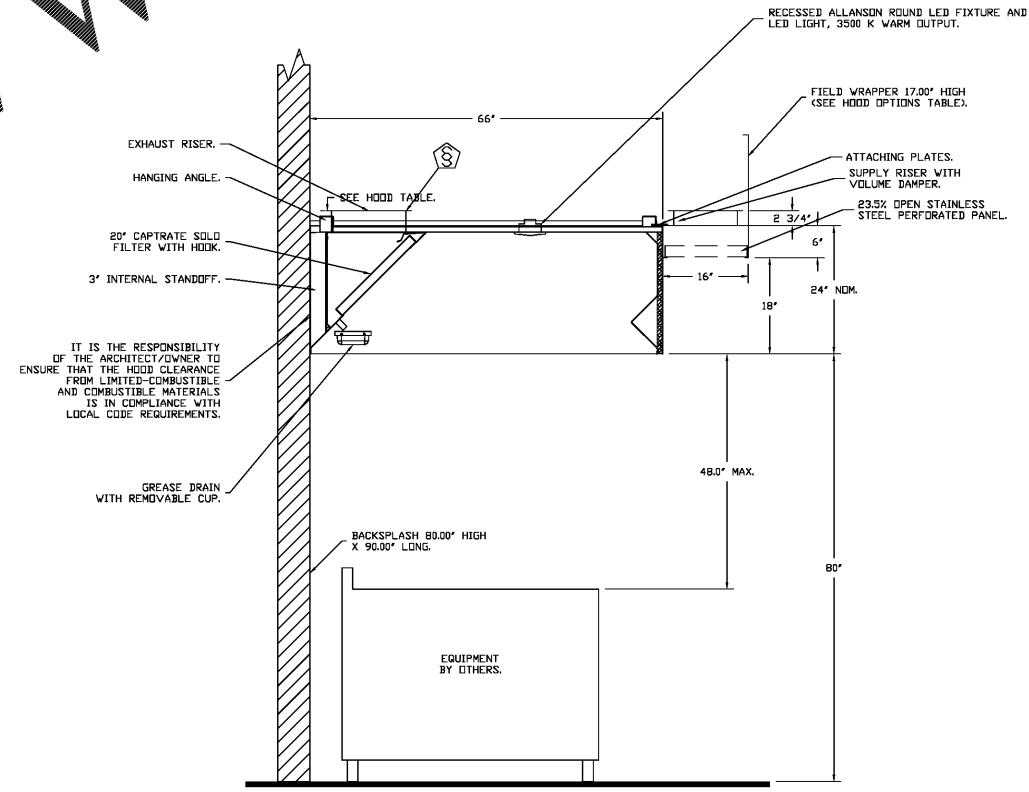


PRESSURE DROP VS. FLOW RATE



CAPTRATE FILTERS ARE BUILT IN COMPLIANCE WITH

- NFPA #96.
- NSF STANDARD #2.
- UL STANDARD #1046.
- INT. MECH. CODE (IMC).
- ULC-S649.



SECTION VIEW - MODEL 6624ND-2-PSP-F
HOOD - #1

REVISIONS

NO.	DESCRIPTION	DATE

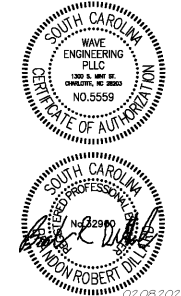
CAPTIVEAIRE
Piedmont Office
6303 Camel Road, Suite 105, Charlotte, NC 28226 PHONE: (704) 844-9088 FAX: (919) 227-5962 EMAIL: reg308@captiveaire.com
WWW.CAPTIVEAIRE.COM

Viva Chicken - Greenville SC
GREENVILLE, SC, 29601

DATE: 12/21/2020
DWG.#: 4663326
DRAWN BY: agrant
SCALE: 3/4" = 1'-0"
MASTER DRAWING

SHEET NO. 1

d3 studio
PLANNING • ARCHITECTURE • INTERIORS
1318 CENTRAL AVENUE :: SUITE A-10
CHARLOTTE, NC 28205
WEBSITE :: WWW.D3STUDIO.COM



FOR CONSTRUCTION

Viva Chicken
PERUVIAN ROTISSERIE JOINT
1139 WOODRUFF RD.
-SUITE B
GREENVILLE, SC
29607

REVISION

no.	date	comment

DRAWN BY: agrant
CHECKED BY: BRD
SUBMITTAL DATE: 02.08.2021
PROJECT NUMBER: 02-2031

MECHANICAL HOOD DRAWINGS

M3.01