

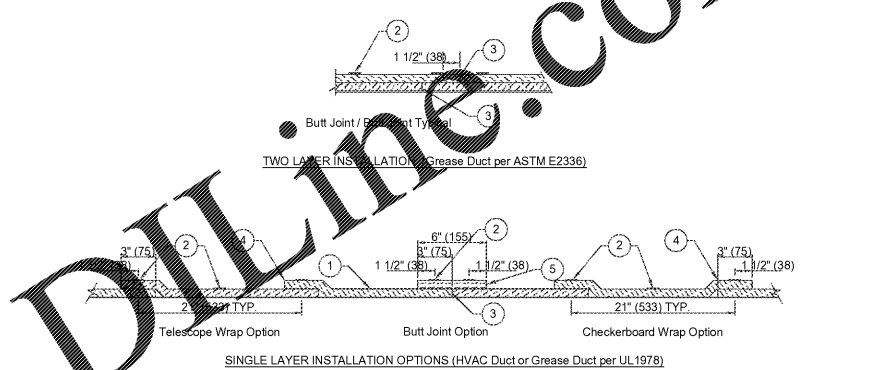
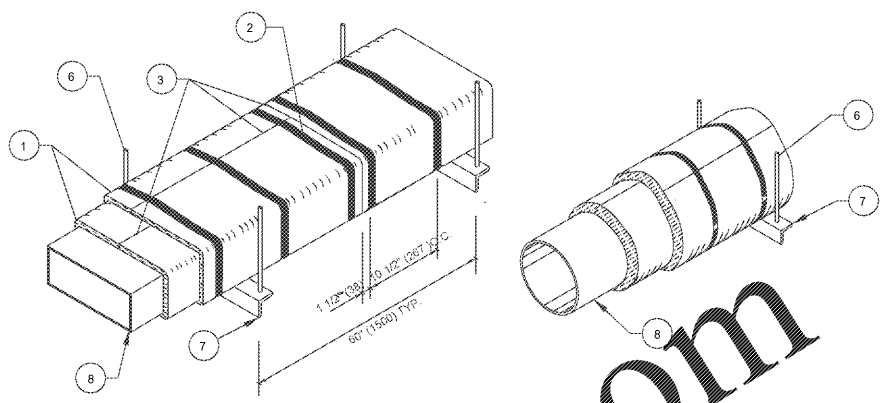
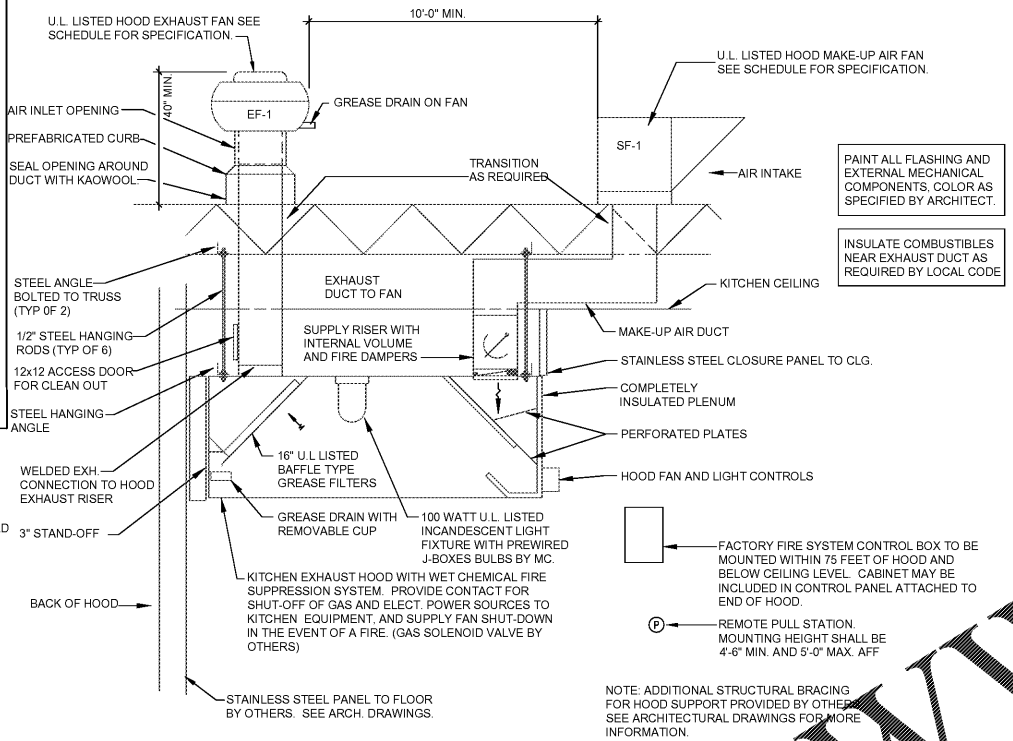
ALL DESIGNS, DRAWINGS AND SPECIFICATIONS DEPICTED ON THIS SHEET ARE THE PROPERTY OF D3 STUDIO, PLLC. ANY UNAUTHORIZED USE OR REPRODUCTION IS SUBJECT TO LEGAL PROSECUTION. POSSESSION IN ANY FORM CONSTITUTES ACCEPTANCE OF THESE CONDITIONS. COPYRIGHT 2021

- ### KITCHEN HOOD NOTES
- KITCHEN EXHAUST DUCT TO BE CONSTRUCTED OF 16 GAUGE BLACK IRON W/CONTINUOUS EXTERNAL LIQUID-TIGHT WELDS
  - SLOPE EXHAUST DUCT 1" PER FOOT MINIMUM.
  - RADIUS THROAT AND ELBOW OF EXHAUST DUCT
  - OFFSETS WITH MINIMUM 6" INNER RADIUS PROVIDE CLEAN-OUTS PER CODE
  - WRAP ENTIRE DUCT W/UL "FIRE MASTER" BY THERMAL CERAMICS. FROM HOOD EXHAUST TO FAN DISCHARGE WHERE REQ'D. FOR CLEARANCES PER CODE
  - DUCT WRAP TO BE INSTALLED PER MFG'S REQUIREMENTS AND UL CLASSIFICATION AND TESTS.
  - GC TO SPACE STRUCTURE TO ACCOMMODATE DUCTS W/ WRAP AS REQ'D. (MIN 18" CLEAR TO COMBUSTIBLES) & PROVIDE RATED CHASE W/ RATED ACCESS DOOR AS REQ'D.
  - PROVIDE/PROTECT CLEAN-OUTS PER MFG'S AND U.L. REQUIREMENTS.
  - PROVIDE WITH FACTORY PRE-WIRED MOTOR CONTROL PACKAGE.
  - INSTALL HOOD AT HEIGHT PER CODE & W/ GREASE FILTERS 3'5" ABOVE COOKING SURFACE W/O OPEN FLAME. PER CODE.
  - HOOD CAPTURE SIZE BASED UPON EQUIP. SCHEDULED TO BE UNDER HOOD PLUS MIN. 6" ON ALL EXPOSED SIDES PER CODE. FIELD VERIFY/COORD. HOOD SIZE & FANS CAPACITIES W/ACTUAL EQUIP. FURNISHED.
  - EXACT HOOD-DUCT CONNECTION & TRANSITION SIZES SHALL BE FULLY COORD. W/HOOD MFG. PRIOR TO FABRICATION
  - MAKE-UP AIR FAN TO SHUT-DOWN UPON DETECTION OF FIRE SUPPRESSION SYSTEM.
  - EXHAUST FAN TO REMAIN OPERATING DURING "ALARM".
  - INSTALL REMOTE PULL STATION MIN. 10'-0" AND MAX. 20'-0" FROM HOOD. PULL STATION SHALL BE RATED WITH MAX. PULL PRESSURE OF 40 LBS. AND MAX. PULL MOVEMENT OF 14".

- PROVIDED FEATURES:**
- ROOF MOUNTED FANS
  - RESTAURANT MODEL
  - UL 762 & UL 705
  - WEATHERPROOF DISCONNECT
  - THERMAL OVERLOAD PROTECTION
  - HIGH HEAT OPERATION (400°F)
  - GREASE CLASSIFICATION TESTING: CSA APPROVED
  - NORMAL TEMPERATURE TEST
  - EXHAUST FAN MUST OPERATE CONTINUOUSLY WHILE EXHAUSTING AIR AT 400°F (204°C) UNTIL ALL FAN PARTS HAVE REACHED THERMAL EQUILIBRIUM, AND WITHOUT ANY DETERIORATING EFFECTS TO THE FAN WHICH WOULD CAUSE UNSAFE OPERATION.
  - ABNORMAL FLARE-UP TEST
  - EXHAUST FAN MUST OPERATE CONTINUOUSLY WHILE EXHAUSTING BURNING GREASE VAPORS AT 600°F (315°C) FOR A PERIOD OF 15 MINUTES WITHOUT THE FAN BECOMING DAMAGED TO ANY EXTENT THAT COULD CAUSE AN UNSAFE CONDITION.
- PROVIDED OPTIONS:**
- GREASE CUP
  - HINGED FAN
  - HASP KIT
  - INSULATED CURB
  - PITCHED CURB AS NEEDED

### KITCHEN HOOD FIRE SUPPRESSION SYSTEM

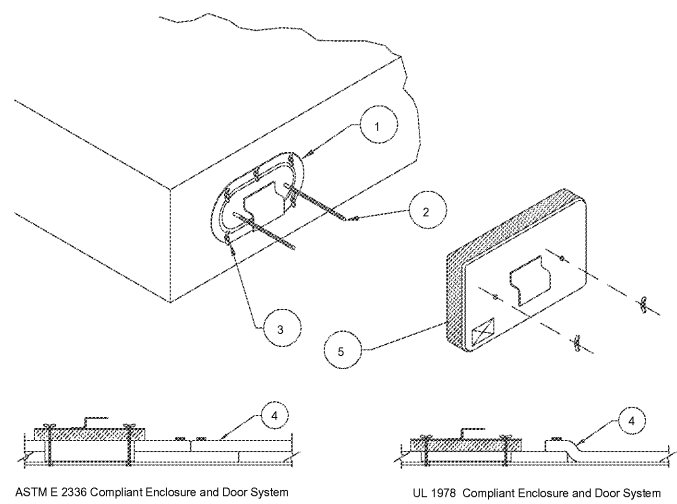
PROVIDE A PRE-ENGINEERED, WET CHEMICAL, CARTRIDGE OPERATED TYPE FIRE SUPPRESSION SYSTEM. IT SHALL BE A FIXED NOZZLE AGENT DISTRIBUTION NETWORK, AND SHALL BE UL 300 LISTED. THE SYSTEM SHALL BE CAPABLE OF AUTOMATIC DETECTION AND REMOTE ACTUATION. THE SYSTEM SHALL BE IN ACCORDANCE WITH NFPA 96 AND AUTHORITY HAVING JURISDICTION. DISCHARGE NOZZLES WILL PROVIDE COVERAGE OF, BUT NOT LIMITED TO, THE HOOD AREA AND EXHAUST DUCT. FURNISH ELECTRIC OPERATED SHUT OFF VALVE. THE SYSTEM SHALL BE AN ANSUL MODEL R-102 OR APPROVED EQUAL.



LEGEND	
1	Two Layers of XL Insulation for ASTM E2336 Grease Duct Enclosures
2	One Layer of XL Insulation for Air Ventilation Duct Enclosures and UL1978 Zero Clearance
3	Steel banding minimum 1/2" (13) wide by 0.015" (0.4) thick.
4	Tight butt joints (ULC Grease Duct requires 3" (75) overlap)
5	Min. 3" (75) overlap on perimeter and between adjacent blankets
6	Optional 6" XL collar
7	Hangars - size dependent weight of assembly (see datasheet Section G)
8	Trapeze Supports - size dependent on weight of assembly (see datasheet Section G)
8	Steel Rectangular or Round Duct (size, gage and construction dependent per Listed Design)

3 KITCHEN HOOD DETAIL  
M2.02 NOT TO SCALE

1 ZERO CLEARANCE TO COMBUSTIBLES GREASE DUCT ENCLOSURE  
M2.02 NOT TO SCALE



Legend	
1	UL listed FastDoor XL access panel
2	All Thread Rods and wing nuts
3	Retainer Clips with threaded nut and wing bolts
4	Insulation layers as required by UL or ITS Listings
5	FastDoor XL- 1-1/2 inch thick single layer insulation

FastDoor XL1 Access Doors Sizes	
Available Opening Sizes	Ordering Code
10" x 6" Door Opening	434-6970-034-99X1
12" x 8" Door Opening	434-6970-035-99X1
12" x 12" Door Opening	434-6970-036-99X1
16" x 12" Door Opening	434-6970-037-99X1
20" x 20" Door Opening	434-6970-038-99X1

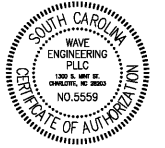
2 GREASE DUCT ACCESS PANEL DETAIL  
M2.02 NOT TO SCALE

Order Plans @

d3 studio  
PLANNING \* ARCHITECTURE \* INTERIORS  
1318 CENTRAL AVENUE :: SUITE A-10  
CHARLOTTE, N.C. 28205  
WEBSITE :: WWW.D3STUDIO.COM



WAVE ENGINEERING  
3540 LINDSEY WAY, SUITE 600  
CHARLOTTE, NC 28277  
919.286.2788  
INFORM@WAVEENGINEERING.COM  
WAVE PROJECT #W0178



02.08.2021

FOR CONSTRUCTION

Viva Chicken.  
PERUVIAN ROTISSERIE JOINT  
1139 WOODRUFF RD.  
-SUITE B  
GREENVILLE, SC  
29607

REVISION		
no.	date	comment

DRAWN BY: BRD  
CHECKED BY: BRD  
SUBMITTAL DATE: 02.08.2021  
PROJECT NUMBER: 02-2031

MECHANICAL DETAILS

M2.02