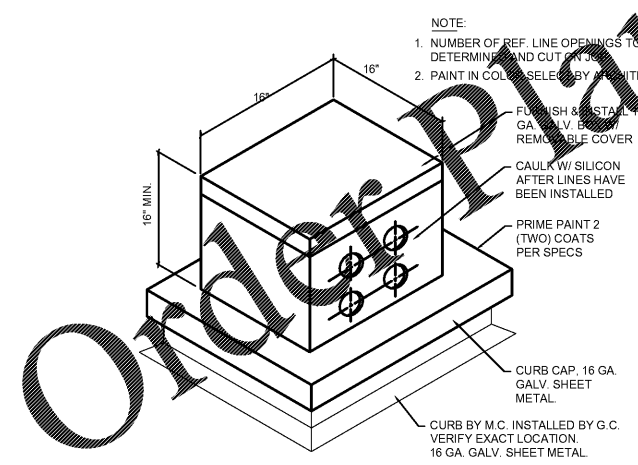
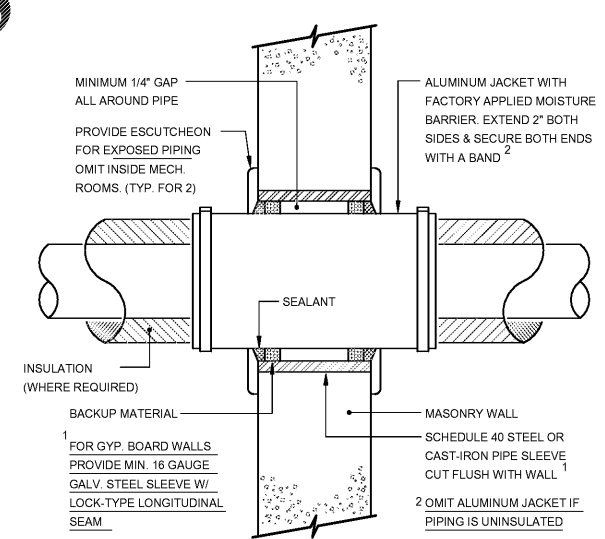


ALL DESIGNS, DRAWINGS AND SPECIFICATIONS DEPICTED ON THIS SHEET ARE THE PROPERTY OF D3 STUDIO, PLLC. ANY UNAUTHORIZED USE OR REPRODUCTION IS SUBJECT TO LEGAL PROSECUTION. POSSESSION IN ANY FORM CONSTITUTES ACCEPTANCE OF THESE CONDITIONS. COPYRIGHT 2021

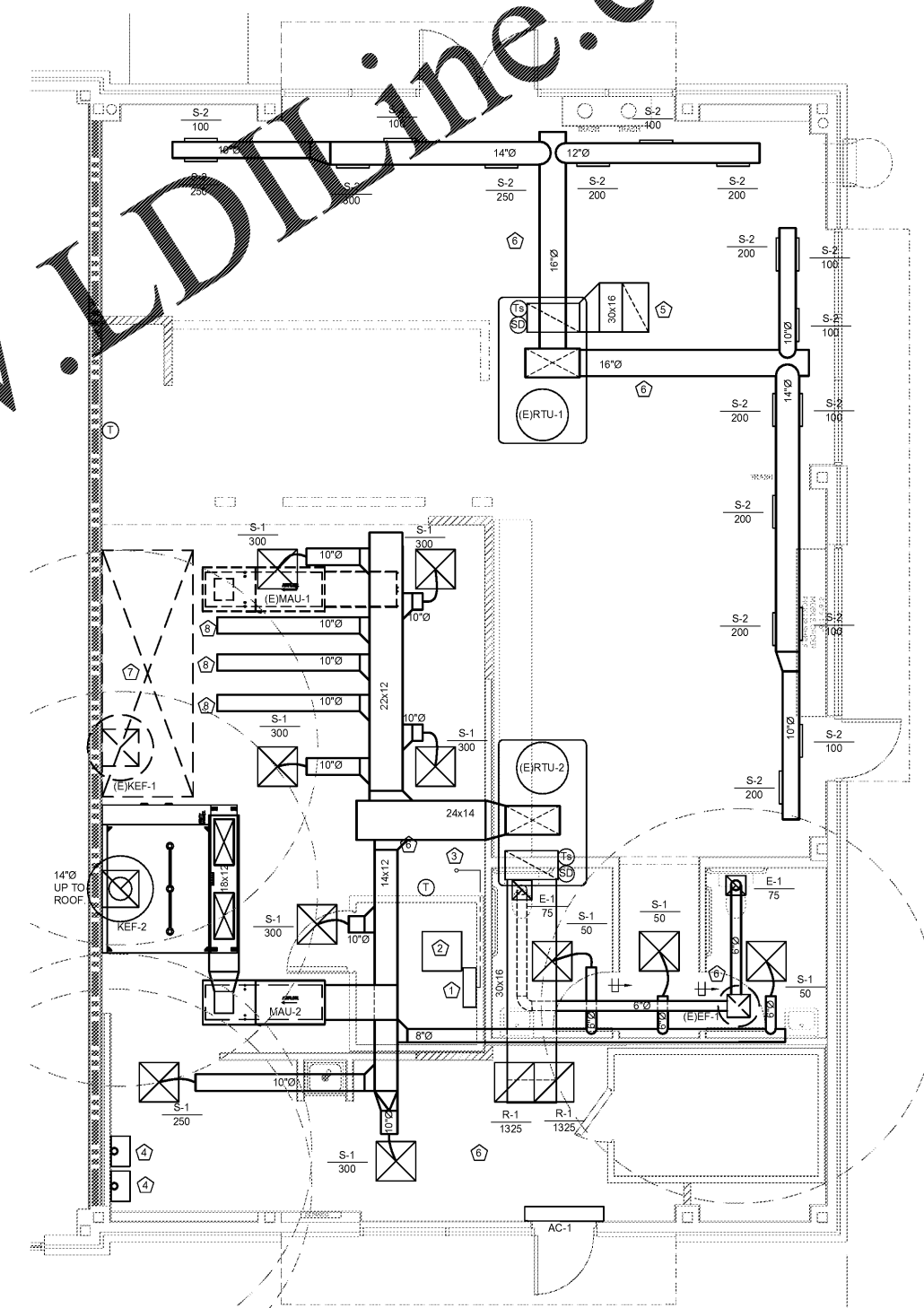
- KEYED NOTES THIS SHEET**
- EVAPORATOR FOR COOLER/FREEZER COORDINATE EXACT LOCATION WITH EQUIPMENT SUPPLIER. REFER TO FOOD SERVICE DRAWINGS.
 - COORDINATE EXACT LOCATION OF FREEZER/COOLER CONDENSER WITH FIELD CONDITIONS. PROVIDE GUARDS AS REQUIRED BY NCMC 304.11.
 - ROUTE EVAPORATOR CONDENSATE TO MOP SINK OR NEAREST FLOOR DRAIN OUTSIDE OF FREEZER/COOLER.
 - WATER HEATER FLUE /COMBUSTION AIR VENTS UP TO MANUFACTURER'S PAIRED DISCHARGE ACCESSORY ON ROOF. SIZE AND INSTALL PER MANUFACTURER'S RECOMMENDATION.
 - COVER OPEN END OF RETURN DUCT WITH 1" HARD WIRE SCREEN.
 - CONTRACTOR MAY AT OWNER'S DISCRETION REUSE EXISTING DUCTWORK IN PLACE IN lieu OF PROVIDING NEW AS INDICATED ON PLAN.
 - EXISTING SPOK LINE, FOOD MAIN.
 - DO NOT CONNECT EXISTING CONDITIONED SUPPLY PLENUM ON EXISTING HOOD TO REMAIN. THREE CONNECTIONS AT 285 CFM EACH. PROVIDE NEW 10" BRANCH DUCT TO EACH CONNECTION.



2 REFRIGERANT BOX DETAIL
M1.01 NOT TO SCALE

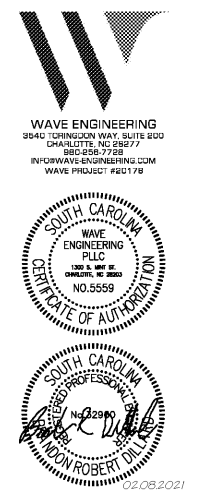


3 WALL PIPE PENETRATION DETAIL
M1.01 NOT TO SCALE



1 MECHANICAL PLAN
M1.01 SCALE: 1/4" = 1'-0"

d3 studio
PLANNING • ARCHITECTURE • INTERIORS
1318 CENTRAL AVENUE :: SUITE A-10
CHARLOTTE, NC 28205
WEBSITE :: WWW.D3STUDIO.COM



FOR CONSTRUCTION
Viva Chicken.
PERUVIAN ROTISSERIE JOINT
1139 WOODRUFF RD.
-SUITE B
GREENVILLE, SC
29607

REVISION		
no.	date	comment

DRAWN BY: BRD
CHECKED BY: BRD
SUBMITTAL DATE: 02.08.2021
PROJECT NUMBER: 02-2031

MECHANICAL PLAN
M1.01