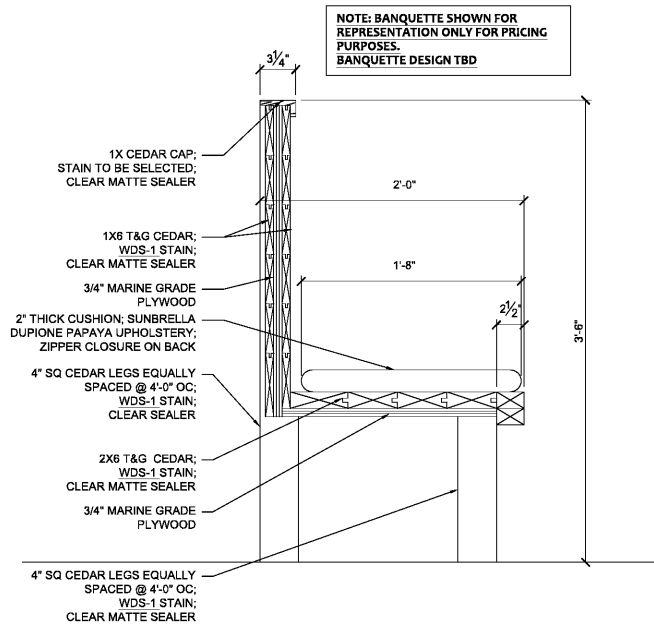
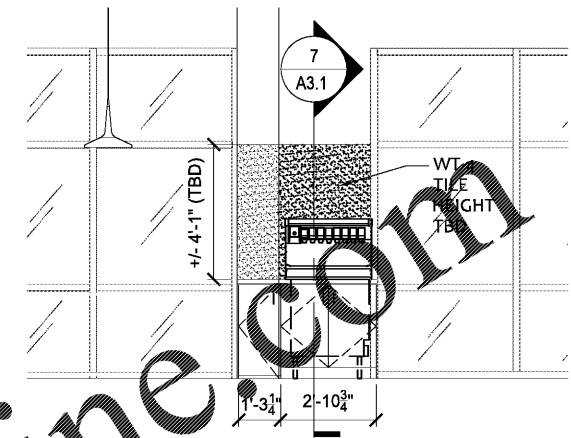


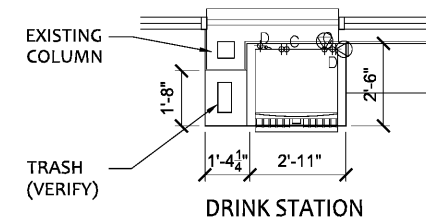
ALL DESIGNS, DRAWINGS AND SPECIFICATIONS DEPICTED ON THIS SHEET ARE THE PROPERTY OF D3 STUDIO, P.L.L.C. ANY UNAUTHORIZED USE OR REPRODUCTION IS SUBJECT TO LEGAL PROSECUTION. POSSESSION IN ANY FORM CONSTITUTES ACCEPTANCE OF THESE CONDITIONS. COPYRIGHT 2021



BANQUETTE SECTION SCALE: 1-1/2" = 1'-0" 5

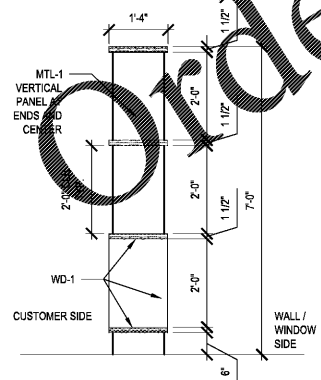


DRINK STATION ELEVATION

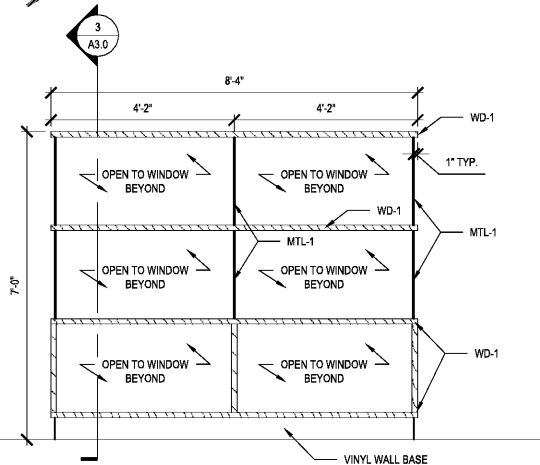


DRINK STATION

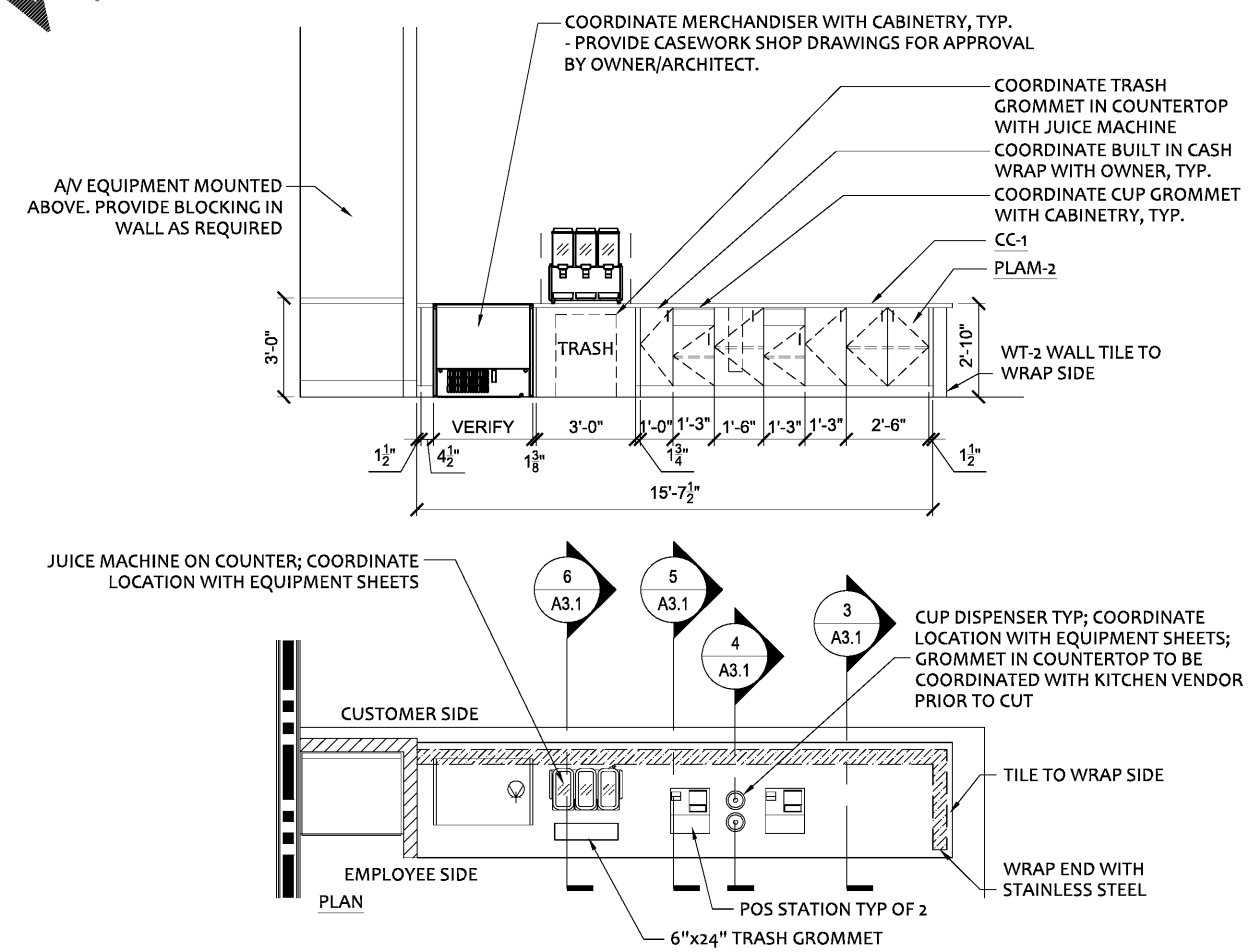
ENLARGED SODA COUNTER PLAN & ELEVATION SCALE: 3/8" = 1'-0" 4



SECTION AT TO-GO PICK-UP SCALE: 1/2" = 1'-0" 3



ELEVATION AT TO-GO PICK-UP SCALE: 1/2" = 1'-0" 2



ENLARGED PLAN & ELEVATION AT ORDER COUNTER SCALE: 3/8" = 1'-0" 1

Order Plans @ WWW.LDILine.com



FOR CONSTRUCTION

Viva Chicken
 PERUVIAN ROTISSERIE JOINT
 1139 WOODRUFF RD.
 -SUITE B
 GREENVILLE, SC
 29607

no.	date	comment

DRAWN BY: JMT
 CHECKED BY: SFB
 SUBMITTAL DATE: 02.09.2021
 PROJECT NUMBER: 02-2031

MILLWORK DETAILS

A3.0