

ALL DESIGNS, DRAWINGS AND SPECIFICATIONS DEPICTED ON THIS SHEET ARE THE PROPERTY OF D3 STUDIO, P.L.L.C. ANY UNAUTHORIZED USE OR REPRODUCTION IS SUBJECT TO LEGAL PROSECUTION. POSSESSION IN ANY FORM CONSTITUTES ACCEPTANCE OF THESE CONDITIONS. COPYRIGHT 2021

REFLECTED CEILING PLAN LEGEND

	PENDANT DOWNLIGHTS ON DIMMERS AT STRUCTURE FOR GENERAL LIGHTING.
	ENTRY CHANDELIER; MOUNT BOTTOM OF FIXTURE AT 7'-6" AFF - CENTER ON DOOR SUSPENSION TO BE REVISED OR MOUNTED ON UNISTRUT AS REQUIRED
	QUEUE LINE & DINING TRACK LIGHT; MOUNT WITH TRACK AT 12'-0" AFF - REFERENCE INTERIOR ELEVATIONS; SEE KEYNOTES FOR ADDITIONAL NOTES.
	ZEVO PENDANT LIGHT BY TECH LIGHTING; FOSSIL GRAY FINISH ; LED; MOUNT WITH BOTTOM AT 7'-0" AFF - CENTER OVER TABLES
	LED 2X4 WITH ACRYLIC LENS
	LED 2X2 WITH ACRYLIC LENS ON DIMMER
	KITCHEN EXPO AND RESTROOM RECESSED DOWNLIGHT - BLACK IN BLACK CEILINGS AND WHITE IN WHITE CEILINGS.
	STRING LIGHTS - COORDINATE WITH OWNER
	EXTERIOR UP LIGHT MOUNTED ON AWNING (TO LIGHT UP SIGNAGE)
	TAPE LIGHT AT VERTICAL WOOD WALL SLATS (EVERY 3RD VERTICAL)

GENERAL NOTES:

- CONTRACTOR IS RESPONSIBLE FOR THE COORDINATION OF ANY ROOF PENETRATION WITH EXISTING PLUMBING, MECHANICAL, ELECTRICAL, STRUCTURAL AND SPRINKLER SYSTEMS.
- GENERAL CONTRACTOR SHALL CONFIRM ALL CEILING HEIGHTS. COORDINATE W/ EXISTING CONDITIONS. NOTIFY OWNER/ARCHITECT IF SPECIFIED HEIGHTS CANNOT BE ACHIEVED.
- REFER TO ELECTRICAL DRAWINGS FOR POWER & CIRCUIT INFORMATION.
- GENERAL CONTRACTOR TO REFER TO MECHANICAL DRAWINGS FOR DIFFUSER LOCATIONS.
- REFER TO FINISH SCHEDULE FOR CEILING SPECIFICATIONS & FINISHES.
- ACOUSTICAL CEILING SYSTEMS SHALL COMPLY WITH 2018 NCSSC CHAPTER 8 SECTION 808. REFER TO MECHANICAL AND ELECTRICAL FOR CEILING GRID INFORMATION.
- CENTER NEW CEILING GRID IN EACH ROOM IN THE DIMENSION INDICATED ON THE PLANS UNLESS NOTED OTHERWISE.
- GENERAL CONTRACTOR TO SUPPLY (1) ALL OPENINGS & BASE OF EACH TYPE OF CEILING TILE USED.
- GC TO COORDINATE COLOR OF ALL OUTLETS & SWITCHES WITH ARCHITECT BEFORE ORDERING.

LIGHTING NOTES:

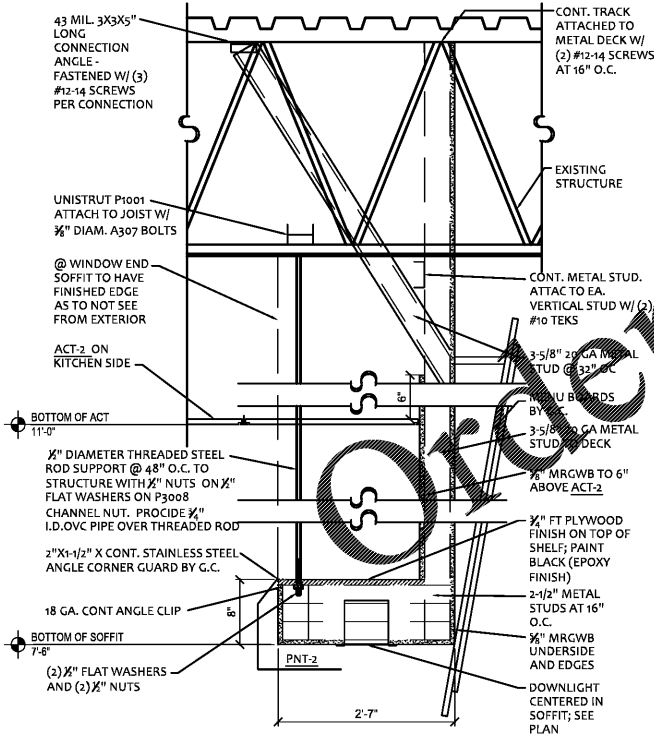
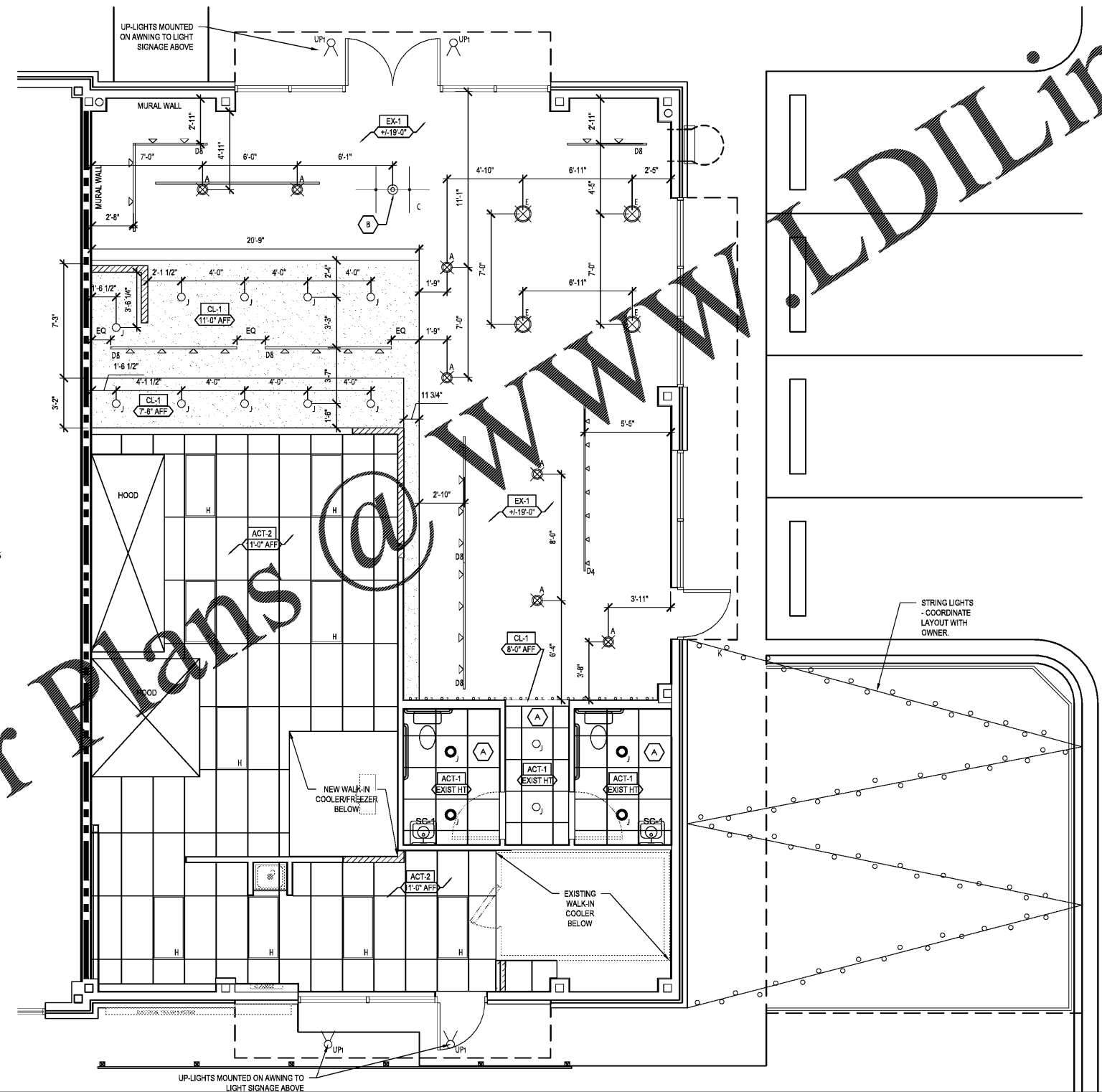
- ALL FIXTURES SHALL BE PROVIDED BY, RECEIVED, STORED & INSTALLED BY ELECTRICAL CONTRACTOR.
- ELECTRICAL CONTRACTOR SHALL SUPPLY 10% ADDITIONAL SPARE, OF ALL LAMP TYPES. TO BE LEFT AT JOB SITE AT END OF JOB.
- TRACK SPECIFICATION AS INDICATED ON FIXTURE SCHEDULE. SEE ELECTRICAL DRAWINGS FOR ADDITIONAL INFORMATION. LENGTH OF TRACK AS INDICATED BY (X) ON PLAN
- WHERE APPLICABLE, PENDANTS SHALL BE CENTERED OVER TABLES.
- ALL FIXTURES TO BE CENTERED IN CEILING TILE UNLESS OTHERWISE NOTED.
- GC TO COORDINATE COLOR OF ALL GENERAL, EMERGENCY, AND DECORATIVE LIGHTING WITH ARCHITECT PRIOR TO ORDERING.

SUBMITTALS & RFI'S

- CONTACT THE PROJECT MANAGER FOR SUBMITTALS & RFI'S. RFI'S SHALL BE FORWARDED TO ARCHITECT VIA EMAIL FOR DOCUMENTATION PURPOSES. ALL SUBMITTALS MUST BE REVIEWED AND STAMPED BY THE G.C. PRIOR TO SENDING TO ARCHITECT. ALLOW A MAXIMUM OF 14 BUSINESS DAYS FOR REVIEW.

KEYED NOTES:

- (A) REPLACE ACT AT SAME HEIGHT AS EXISTING.
- (B) CENTER ON DOORWAY.



SOFFIT/ACT CEILING DETAIL

SCALE: 1" = 1'-0"

2

REFLECTED CEILING PLAN

SCALE: 1/4" = 1'-0"

1

d3 studio  
 PLANNING \* ARCHITECTURE \* INTERIORS  
 1318 CENTRAL AVENUE :: SUITE A-10  
 CHARLOTTE, N.C. 28205  
 WEBSITE :: WWW.D3STUDIO.COM



FOR CONSTRUCTION

**Viva Chicken.**  
 PERUVIAN ROTISSERIE JOINT  
 1139 WOODRUFF RD.  
 -SUITE B  
 GREENVILLE, SC  
 29607

REVISION		
no.	date	comment

DRAWN BY: JWT  
 CHECKED BY: SFB  
 SUBMITTAL DATE: 02.09.2021  
 PROJECT NUMBER: 02-2031

REFLECTED CEILING PLAN

A1.2