

- ### GENERAL NOTES
- CONTRACTORS SHALL NOT SCALE THESE DRAWINGS. IN THE EVENT OF OMISSION OF NECESSARY DIMENSIONS THE CONTRACTORS SHALL NOTIFY THE CONSTRUCTION PROJECT MANAGER.
 - GENERAL CONTRACTOR SHALL VERIFY ALL BUILDING DIMENSIONS, AND SITE GRADES PRIOR TO START OF WORK.
 - VERIFY SIZE, LOCATION, AND CHARACTERISTICS, OF ALL WORK AND EQUIPMENT TO BE FURNISHED BY OWNER OR OTHERS, WITH THE MANUFACTURER OR SUPPLIER BEFORE ANY CONSTRUCTION PERTAINING TO SAME IS BEGUN.
 - ALL EXTERIOR WALL DIMENSIONS ON THE PLANS UNLESS OTHERWISE NOTED ARE TO OUTSIDE FACE OF SIP, CMU BLOCK OR STRUCTURAL SHEATHING.
- ### KEYNOTES
- DOWNSPOUT, REFERENCE ELEVATIONS SHEET CWA2.0 & 3/4 CWA 4.2
 - 4" STRAIGHT BOLLARD CONC FILLED TYP OF (4)

DOOR SCHEDULE

DOOR NUMBER	ROOM NAME	DOOR TYPE	HARDWARE SET	WIDTH	HEIGHT	DOOR THICKNESS	MATERIALS			COMMENTS
							ALUMINUM & GLASS	HOLLOW METAL	FRAME	
102A	EQUIPMENT RM	1	1	4'-0"	7'-0"	1 3/4"	X	X	X	WITH VENT
102B	EQUIPMENT RM	2	2	3'-0"	7'-0"	1 3/4"	X	X	X	

NOTES: WASH BAY DOOR FROM OVERHEAD DOOR COMPANY MODEL #421 WITH BAKED ENAMEL PRIMER. FIELD PAINT DOOR.
TO MATCH BUILDING. FLORIDA PRODUCT APPROVAL #29619.1

HARDWARE SET NO. 1 (ENTRY DOOR)

3 EA.	BUTTS	TA2714 4-1/2" X 4-1/2" NRP 26D	MCKINNEY
1 EA.	CHAIN STOP		HD
1 SET	WTHR STRIP	319CR	PEMCO
1 EA.	RAIN DRIP	346-C-48" ALUM	PEMCO
1 EA.	THRESHOLD	170-A-48"	PEMCO
1 EA.	LOCK SET	8245 LNJ 26D	SARGENT
1 EA.	LOCK GUARD	LGI 32D	IVES

HARDWARE SET NO. 2 (EQUIPMENT)

1-1/2 PAIR	BUTTS	TA2714 4-1/2" X 4-1/2" NRP 26D	MCKINNEY
1 EA.	CHAIN STOP		HD
1 SET	WEATHER STRIP	319CR	PEMCO
1 EA.	RAIN DRIP	346-C-36" ALUM	PEMCO
1 EA.	THRESHOLD	170-A-36"	PEMCO
1 EA.	LOCK SET	8245 LNJ 26D	SARGENT
1 EA.	LOCK GUARD	LGI 32D	IVES

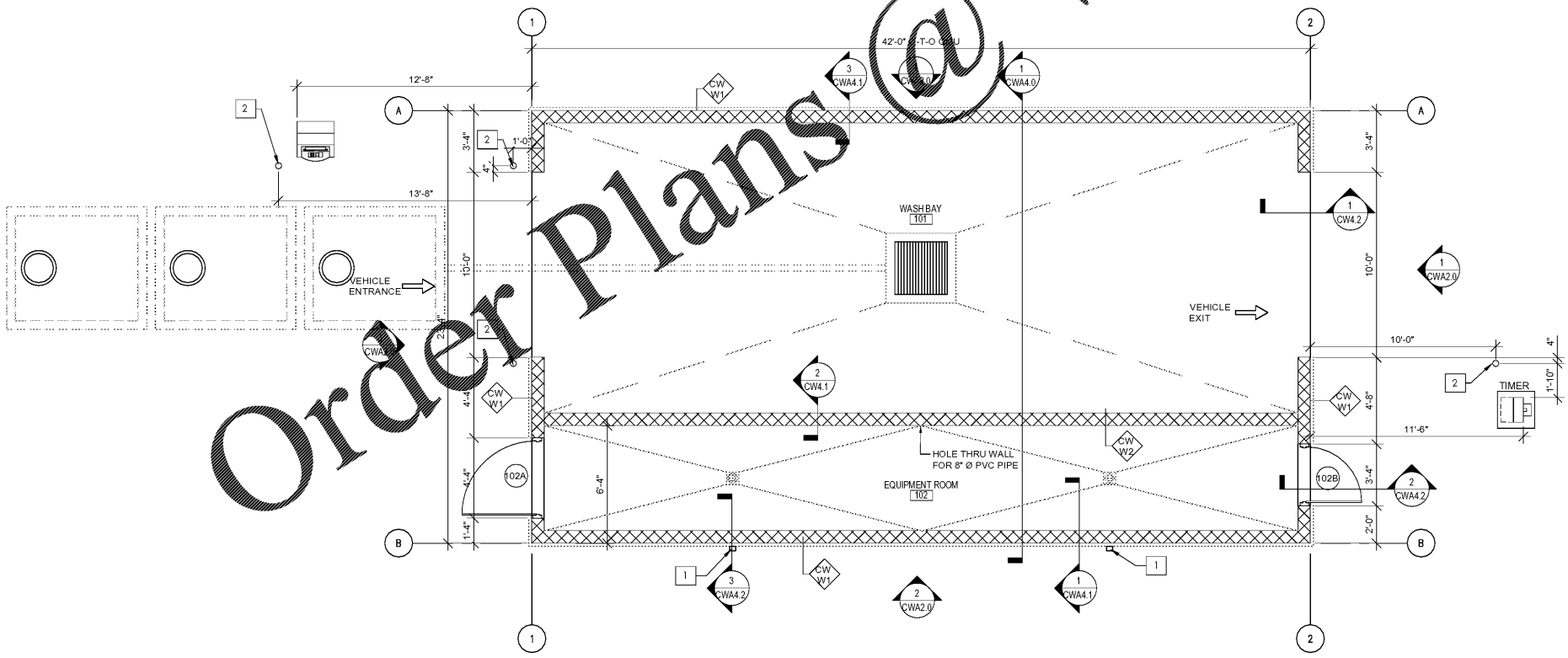
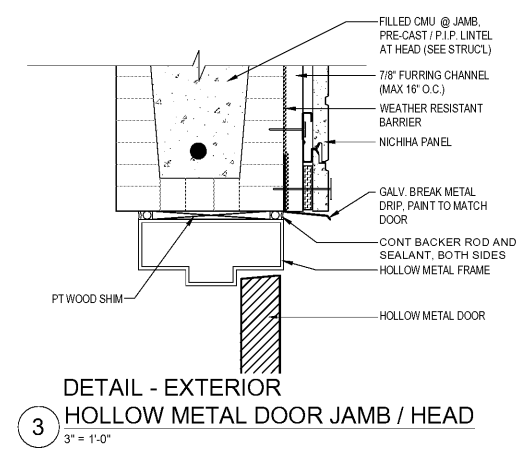
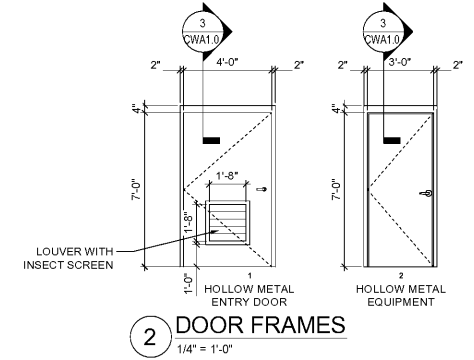
PRODUCT APPROVAL SCHEDULE

MANUFACTURER	MODEL	CAT	SUBC	FLORIDA #	COMMENTS
DURO-LAST ROOFING INC.	DURO-LA	ROOFING	SINGLE PLY ROOF SYSTEMS	FL1559-R13 FL1559.1	40 MIL PVC ROOFING SYSTEM
CORRUGATED DIV OF AAD, INC.	SWINGS	EXT. DR ASSEMBLIES	FL8394-RS FL8394.1 THRU FL8394.6		SINGLE OR PAIRED FLUSH HOLLOW METAL DRs WITH VARIOUS HARDWARE CONFIGURATIONS, WITH OR WITHOUT LOUVERS (SEE DOOR/HARDWARE SCHEDULE) LARGE AND SMALL MISSILE IMPACT RESISTANT

MIAMI-DADE NOTICE OF ACCEPTANCE

MANUFACTURER	NOA No.	DESCRIPTION	APPR. DATE	EXP. DATE	COMMENTS
GREENHECK CORP	19-0516.08	ESD-635DE ALUM. LOUVER	06-27-19	02-04-21	LARGE AND SMALL MISSILE IMPACT RESISTANT

Products itemized above have been selected by design professional as appropriate for this project. If the General Contractor obtains approval to substitute alternate products, it is his responsibility to provide appropriate documentation to the authority having jurisdiction. Such procedures will be at no additional cost to Owner.



1 CAR WASH FLOOR PLAN
1/4" = 1'-0"

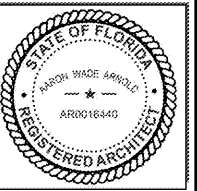
Order Plans @ WWW.LDILINE.COM

1925 Prospect Ave.
Orlando, FL 32814
P (407) 661-9100
P (407) 661-9101
www.ep.com
Florida Corporate Certificate #AA 006826



CLIENT NAME
BLACKFIN PARTNERS INVESTMENTS, INC.
4400 PCA BLVD, SUITE 600
PALM BEACH GARDENS, FL 33410

PROJECT NAME
7-ELEVEN #11795 - OCALA, FL
9000 BLOCK OF SE MARICAMP ROAD
OCALA, FL 34470



RELEASE

PROJECT NO.	2200355
DATE	12/17/2020
DRAWN	ZNR
CHECKED	PETE CRUZ

PROJECT NO.	2200355
DATE	12/17/2020
DRAWN	ZNR
CHECKED	PETE CRUZ

CWA1.0

SHEET TITLE
CAR WASH FLOOR PLAN