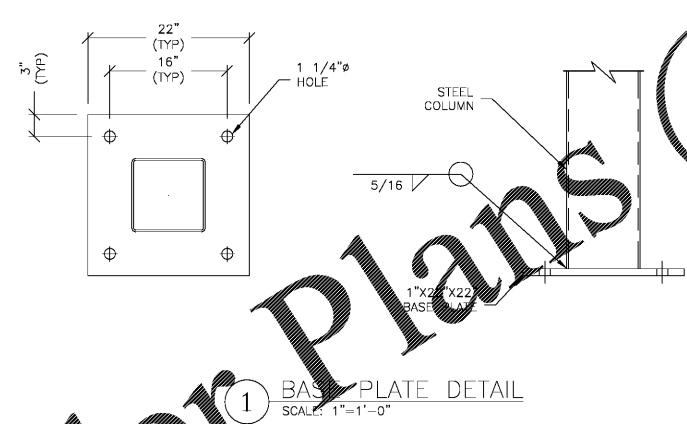
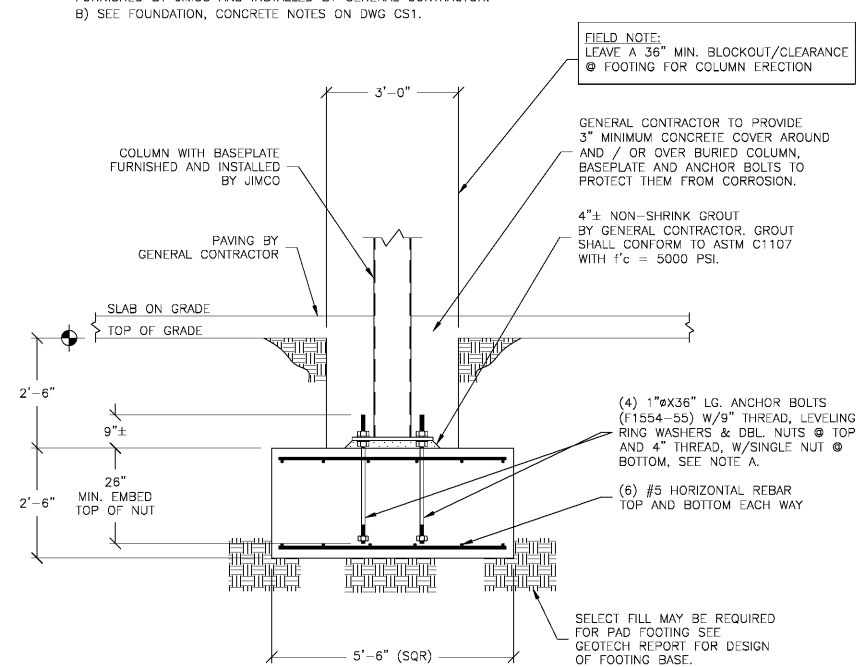


FOUNDATION PLAN
SCALE: 1/8"=1'-0"



1 BASE PLATE DETAIL
SCALE: 1"=1'-0"



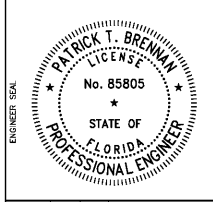
FOOTING DETAIL
SCALE: 1/2"=1'-0"

WWW.LDILine.com

Order Plans @

DRAWING DESCRIPTION
CANOPY FOUNDATION
SECTIONS AND DETAILS

JOB LOCATION
7-ELEVEN #41795
MARCAMP RD. & CEDAR RADIAL RD
OCALA, FL



| | | |
|----------|--------------------------------|-------|
| CUSTOMER | 7-ELEVEN, INC - CYPRESS WATERS | |
| | REVISIONS | DATE: |
| NO. | DESCRIPTION: | BY: |

| | |
|------------|-------------|
| D. CYPHERS | P. BRENNAN |
| DRAWN BY: | CHECKED BY: |
| | 12-22-2020 |
| | DATE: |

JOB NO.
20-3580R0
DWG. NO.
AB1
OF 3 SHEETS

NOTICE: THIS DOCUMENT IS THE PROPERTY OF JIMCO SALES & MFG. NEITHER THIS DOCUMENT NOR ANY DATA OR INFORMATION HEREIN SHALL BE COPIED OR REPRODUCED IN ANY MANNER, LOANED OR OTHERWISE DISPOSED OF, OR USED FOR ANY PURPOSE WHATSOEVER, WITHOUT THE PRIOR WRITTEN PERMISSION OF JIMCO SALES & MFG. IF THIS DOCUMENT IS LOANED BY OR WITH THE AUTHORITY OF JIMCO SALES & MFG, THE BORROWER, INCONSIDERATION OF SUCH LOAN, AGREES TO THE FOREGOING CONDITIONS AND TO RETURN THIS DOCUMENT ON REQUEST OR UPON COMPLETION OF THE SPECIFICALLY AUTHORIZED WORK FOR WHICH IT WAS USED.