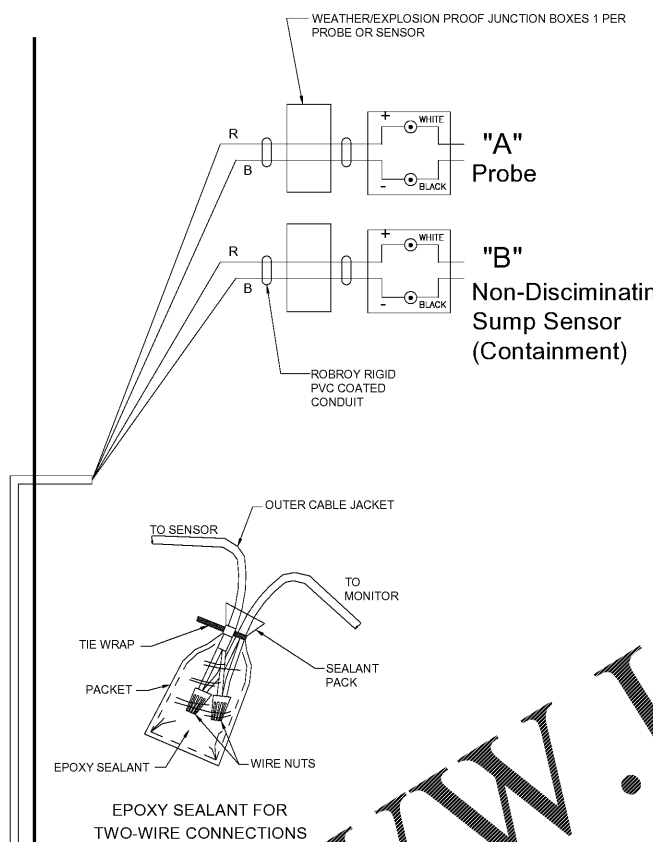
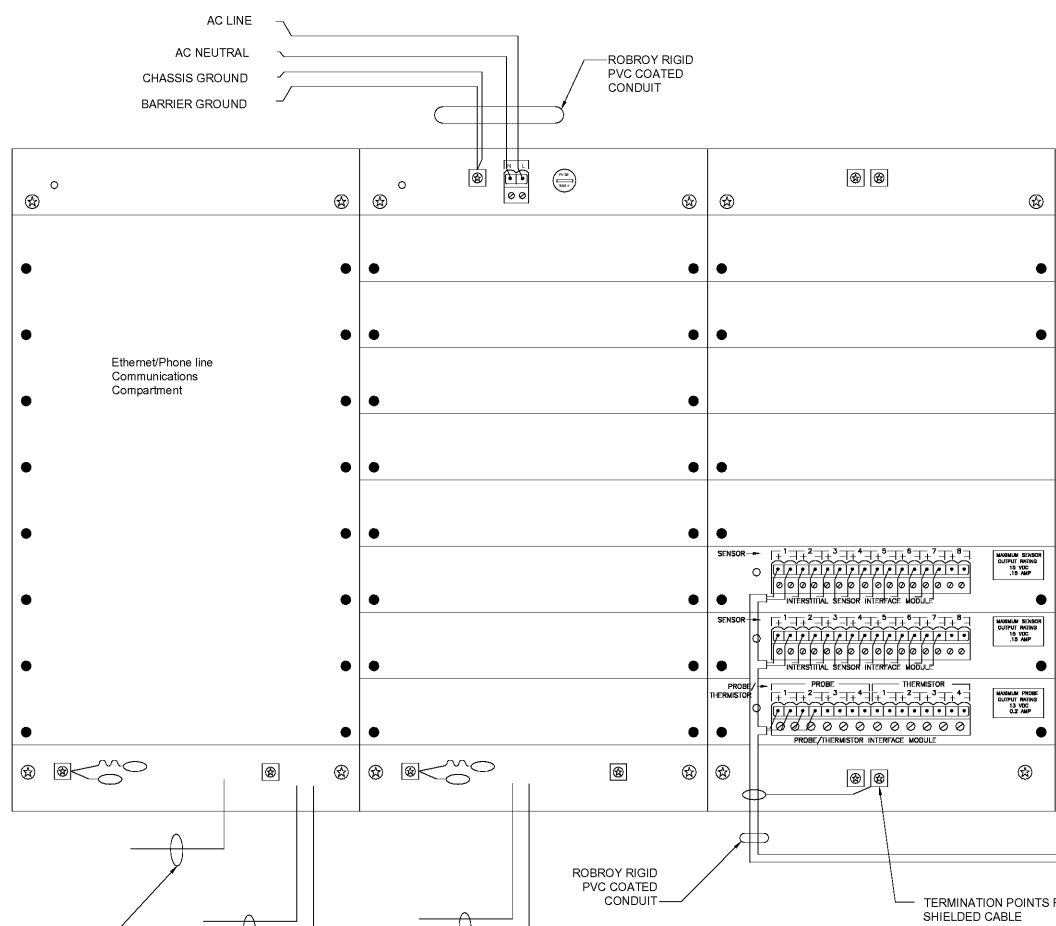


NON-HAZARDOUS AREA HAZARDOUS AREA

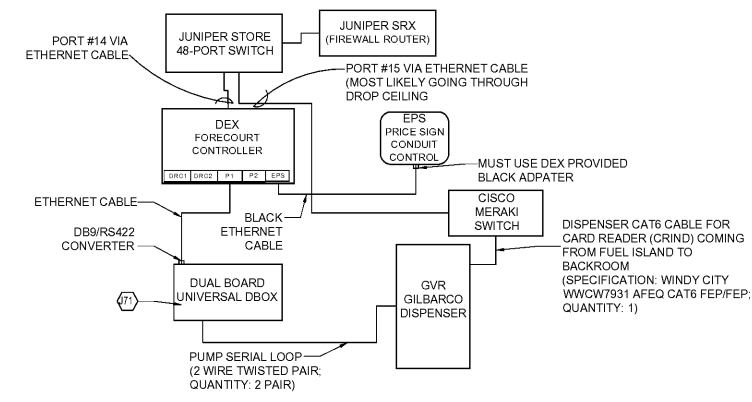


THE VEEDER ROOT SHALL BE PROGRAMMED FOR POSITIVE SHUT DOWN OF STP'S FOR LOW FUEL OR HIGH WATER ALARMS.

TABLE 1 • WIRE TYPES AND SIZES	
CABLE TYPE	PROBE OR SENSOR
BELDEN 88760	PROBE, SUMP, LIQUID, AND VACUUM SENSOR
12 AWG THWN	AC POWER TO CONSOLE

CONTRACTOR SHALL PLACE A TYPEWRITTEN SENSOR SCHEDULE THAT INDICATES WHICH CHANNEL IS ASSOCIATED WITH WHICH SENSOR

1 SITE MONITORING WIRING SCHEMATIC
1 1/2" x 1'-0"



- NOTE:
- HUB, ROUTER AND CABLES BY NCR INSTALLER.
 - D-BOX, CRIND CONTROL CABLE, GAS CONTROLLER CABLE AND D-BOX CABLE INSTALLED BY THE GILBARCO AUTHORIZED SERVICE CONTRACTOR.
 - JUMPER DBOX FOR RS422 AND USE DB9 RIBBON CABLE R19249-G1
 - ALL LOW VOLTAGE WIRING SHALL BE INSTALLED IN ACCORDANCE WITH ALL APPLICABLE CODES, STANDARDS, MANUFACTURER INSTRUCTIONS AND REQUIREMENTS OF THE AUTHORITY HAVING JURISDICTION.
 - CAT6 CABLE ROUTED TO DISPENSERS SHALL BE INSTALLED IN STRICT ACCORDANCE WITH NEC ARTICLE 501, ESPECIALLY WITH RESPECT TO POTENTIAL VAPOR TRANSMISSION BY CABLE JACKET.

2 POS GAS CONTROLLER - DEX DIAGRAM
NTS

GENERAL NOTES

IMPORTANT: THIS IS A CONTROL DRAWING ONLY AND DOES NOT REFLECT THE ACTUAL LOCATIONS OF CONDUIT ENTRY (SEE NOTE 7 BELOW).

VEEDER-ROOT REQUIRES THAT ANYONE INSTALLING OUR EQUIPMENT MUST BE LEVEL I CERTIFIED. FOR MORE INFORMATION REGARDING THE HOME STUDY INSTALLERS COURSE CONTACT JOHN HOWELL 951-532-8599.

WARNING: IN INSTALLATION AND USE OF THIS PRODUCT, COMPLY WITH THE NATIONAL ELECTRICAL CODE, FEDERAL, STATE AND LOCAL ORDINANCES. IN ADDITION, TURN OFF POWER AND TAKE OTHER NECESSARY PRECAUTIONS DURING INSTALLATION, SERVICE AND REPAIR TO PREVENT PERSONAL INJURY, PROPERTY LOSS AND EQUIPMENT DAMAGE.

WARNING: DISCONNECT ALL POWER BEFORE MAKING ANY CONNECTIONS TO PREVENT DEATH, SERIOUS INJURY, EXPLOSION, OR ELECTRICAL SHOCK. MONITOR MUST NEVER BE OPERATED UNLESS THE FRONT COVER IS CLOSED OVER THE BARRIER TERMINALS IN THE INTRINSICALLY SAFE AREA.

1. **INTRINSICALLY SAFE WIRING**
BONDED CONDUIT MEANS THAT THE METALLIC SECTIONS OF CONDUIT ARE PERMANENTLY JOINED TO FORM AN ELECTRICALLY CONDUCTIVE PATH THAT WILL ASSURE ELECTRICAL CONTINUITY, AND THAT THE CONDUIT HAS THE CAPACITY TO CONDUCT SAFELY ANY CURRENT LIKELY TO BE IMPOSED.
a) BONDED & NON-BONDED CONDUIT - THE WIRES BETWEEN THE MONITOR AND EACH PROBE/SENSOR LOCATION MUST BE #14, #16 OR #18 AWG STRANDED COPPER WIRES WITHIN A SHIELDED CABLE. SHIELDED CABLE MUST BE RATED AT LESS THAN 100 PICOFARAD PER FOOT AND MUST BE MANUFACTURED WITH A MATERIAL SUITABLE FOR THE ENVIRONMENT, SUCH AS BELDEN™ 88760.

2. CONNECT THE BARRIER GROUND TO THE EARTH GROUND BUS AT THE POWER DISTRIBUTION PANEL WITH #12 AWG (OR LARGER) CONDUCTOR.

3. Ⓞ DENOTES FIELD WIRING CONNECTION USING WATERPROOF CONNECTORS SUPPLIED WITH THE PROBE(S) AND SENSOR(S).

4. INTRINSICALLY SAFE WIRING SHALL BE INSTALLED IN ACCORDANCE WITH ARTICLE 504-20 OF THE NEC, ANSI/NFPA 70.

5. TO MAINTAIN INTRINSIC SAFETY, PROBE/SENSOR WIRING MUST BE INSTALLED WITH EITHER SEALED CONDUIT OR DIRECT BURIAL METHODS. REFER TO "DIRECT BURIAL CABLE INSTALLATION", MANUAL NO. 576013-858.

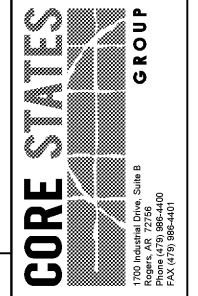
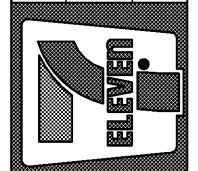
6. ELECTRICAL RATING POWER INPUT 120 VAC, 50/60 HZ, 100 VA MAXIMUM.

7. THIS DOCUMENT IS NOT TO BE USED AS A SUBSTITUTE FOR SPECIFIC EQUIPMENT INSTALLATION MANUALS. FOR INSTALLATION DETAILS USE THE RESPECTIVE MANUAL.
TLS-350(R) 576013-879

8. ALL CABINET PENETRATIONS MUST ENTER THROUGH A PRE-DRILLED CONDUIT KNOCKOUT.

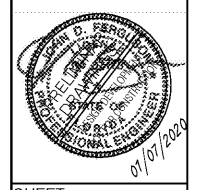
Description	Rev. #	Date
		Proto 12-01-2020

7-ELEVEN, INC.
3200 HACKBERRY ROAD, IRVING TEXAS 75063
7-ELEVEN #41795
9000 BLOCK OF SE MARICAMP ROAD
OCALA, FL 34470
SITE MONITORING EQUIPMENT
DIAGRAM



Job#: SEI-31123	Scale: AS NOTED	Date: 01/07/2020	Drawn By: TJS	Checked By: CVK
-----------------	-----------------	------------------	---------------	-----------------

Documents prepared by Core States Group are to be used for the specific project for which they are intended. Any extension of use to other projects, by owner or otherwise, without the written consent of Core States Group is prohibited. If the user has any questions or concerns, please contact the user who prepared the document. Core States Group is not responsible for any damage or loss of equipment or data caused by the use of this document.



SHEET:
G12.0
FUELING - USA

Order Plans

www.LDILine.com