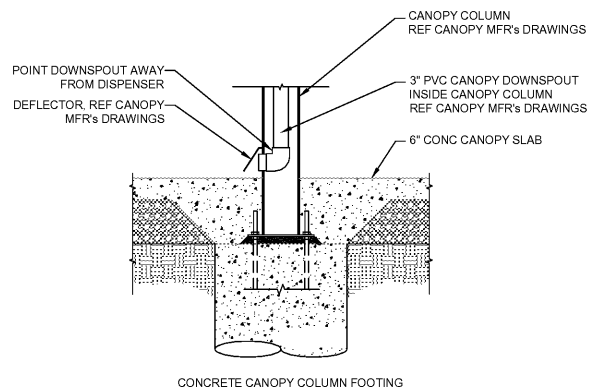
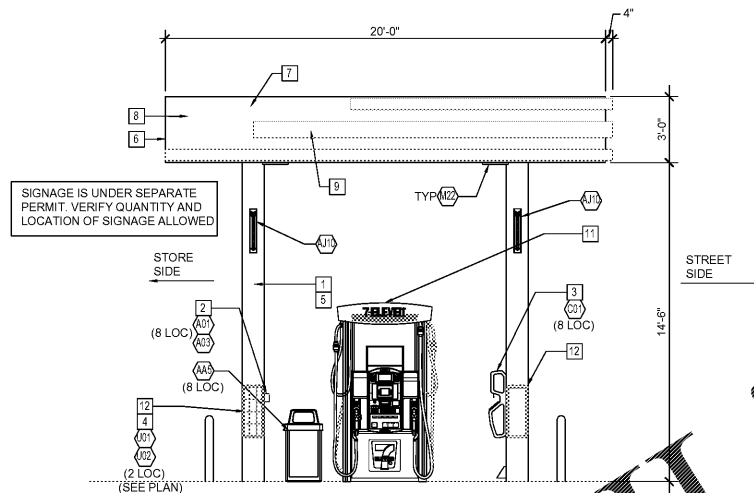


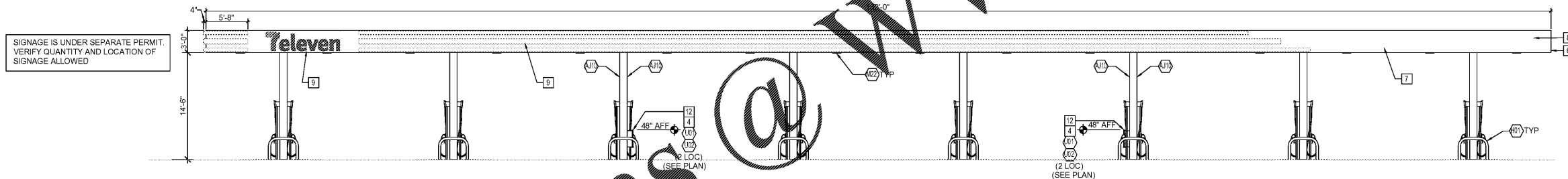
PRINTED BY: TSWAR
 DRAWING NAME: G8.0
 PRINT DATE: Jan 07, 2021 - 2:18pm
 880 FUELING CANOPY LAYOUT - 8 INJULING



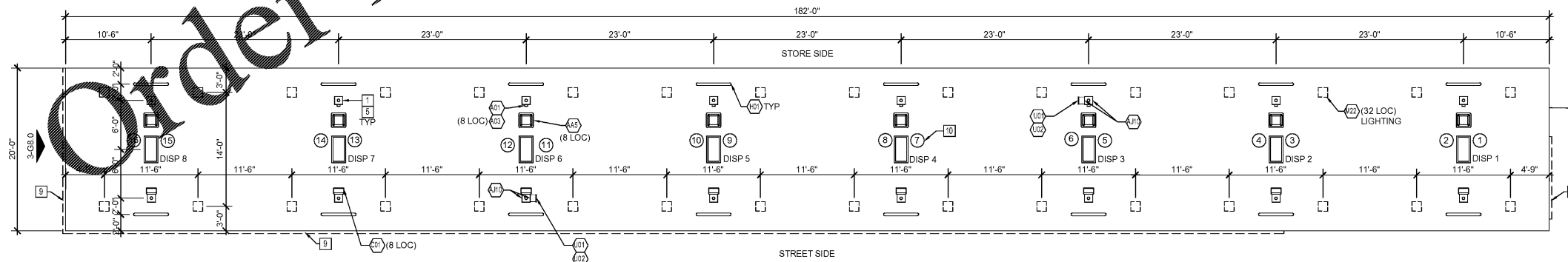
4 CANOPY DRAIN DETAIL
1/2" = 1'-0"



3 CANOPY END ELEVATION
1/4" = 1'-0"



2 CANOPY SIDE ELEVATION
1/8" = 1'-0"



1 FUELING CANOPY PLAN
1/8" = 1'-0"

GENERAL NOTES

- 1 GRADES AROUND DISPENSERS AND CANOPY TO BE SHOT TO PREVENT PONDING AROUND THE DISPENSERS. CONTRACTOR TO REMOVE AND REPAIR PAVEMENT IF PONDING OCCURS.
- 2 NO CONDUITS OR DOWNSPOUTS ON EXTERIOR OF CANOPY COLUMNS.
- 3 REFER TO GRADING PLAN FOR FINAL ELEVATIONS.

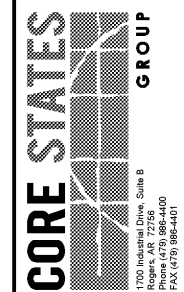
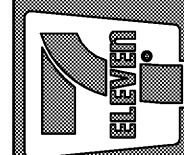
KEY NOTES

- 1 CANOPY COLUMN - REFERENCE ARCHITECTURAL ELEVATIONS FOR FINISHES AND MATERIALS.
- 2 ROOM CO. BOX, MECHANICALLY FASTENED TO COLUMN POINT AT 46" MAX. ABOVE SLAB TO BUTT.
- 3 WASH BUCKET - ADA MOUNTING HEIGHT TO BE MAX. 48" FROM GRADE TO PAPER TOWEL OPENING.
- 4 FIRE EXTINGUISHER - ADA MOUNTING HEIGHT TO BE MAX. 48" FROM GRADE TO FIRE EXTINGUISHER.
- 5 DOWNSPOUT FROM CANOPY (INSIDE THE COLUMN) TO TIE INTO STORM DRAIN WHEN AVAILABLE AND TO DRAIN OUT OF COLUMN PARALLEL TO AND AWAY FROM DISPENSER IN ALL OTHER CASES.
- 6 OVERFLOW PROTECTION AS REQUIRED. SEE CANOPY DRAWINGS AND SPECIFICATIONS.
- 7 GASOLINE CANOPY. SEE MANUFACTURER'S DRAWINGS AND SPECIFICATIONS FOR DETAILS OF CONSTRUCTION.
- 8 ACM CANOPY FASCIA (NON-ILLUMINATED).
- 9 ILLUMINATED LOGO SIGNS UNDER SEPARATE PERMIT. VERIFY QUANTITY AND LOCATION OF SIGNS ALLOWED.
- 10 FUELING POSITION NUMBER.
- 11 REF 1-G5.0 FOR DISPENSER TYPE.
- 12 FIRE EXTINGUISHER CABINET MOUNTED ON SIDE OF COLUMN REF PLAN FOR LOCATION.
- 13 REF G7.0 FOR EQUIPMENT TAG DESCRIPTION.

Rev. #	Date	Description

Proto 12-01-2020

7-ELEVEN, INC.
 3200 HACKBERRY ROAD, IRVING TEXAS 75063
 7-ELEVEN #41795
 9000 BLOCK OF SE MARICAMP ROAD
 OCALA, FL 34470
 FUELING CANOPY LAYOUT -
 8 STARTING GATE



Job#: SEI-31123
 Scale: AS NOTED
 Date: 01/07/2020
 Drawn By: TJS
 Checked By: CVK

Documents prepared by Core States Group are to be used for specific use for which they are intended. Any extension of use to other projects, by owner or contractor, without the expressed, written consent of Core States Group is done at the user's own risk. Core States Group is not responsible for any claims, damages, losses, or liabilities, intended or unintended, user will hold Core States Group harmless from all claims and losses.



SHEET:
G8.0
 FUELING - USA