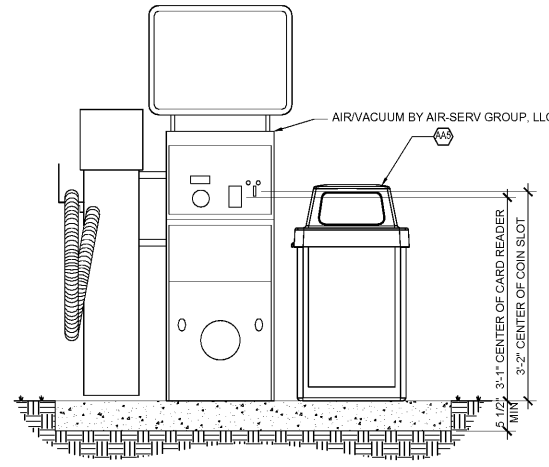


KEY NOTES

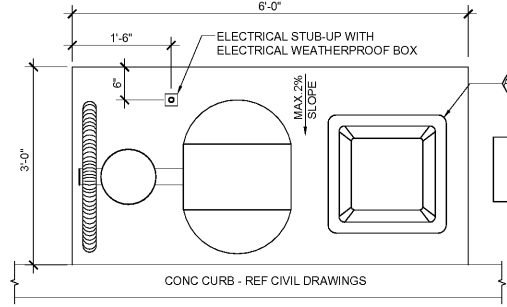
- 1 PAINT VENT PIPES "EXTRA WHITE" SW7006.
- 2 PAINT VENT RACK, BOLLARDS AND ALL OTHER EXPOSED METALS "SEAL SKIN" SW7675.



FRONT

NOTE: MAXIMUM 2 PERCENT GRADE SLOPE EACH WAY REQUIRED FOR AMERICANS WITH DISABILITIES ACT

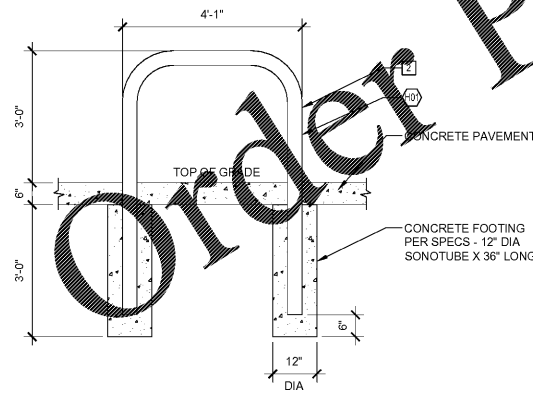
1. ELECTRICAL NEEDS ARE #10 WIRE (30 AMP) WITH GROUND



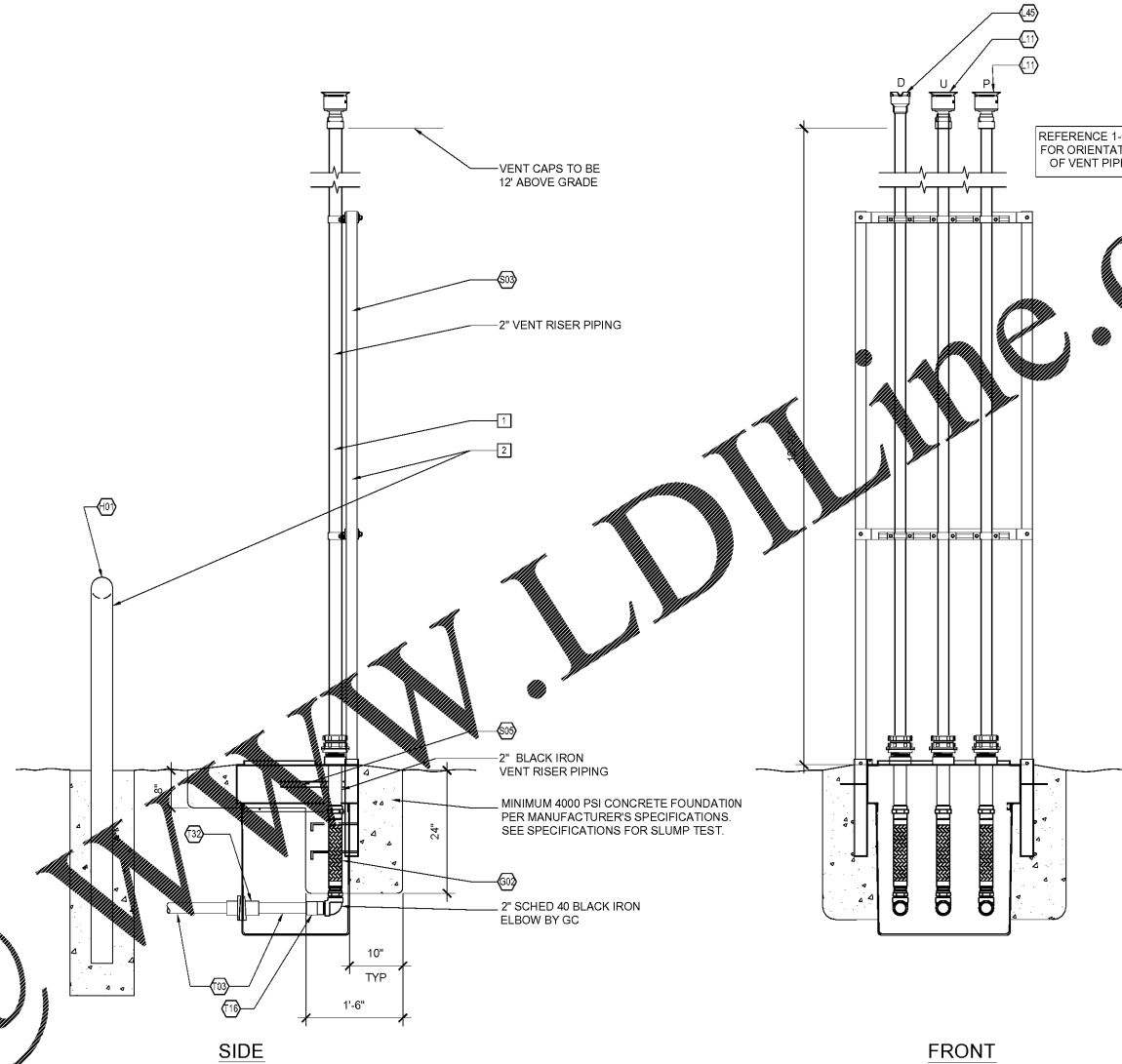
PLAN

GC TO PROVIDE CONCRETE SLAB AND UTILITIES. AIR SERV TO PROVIDE EQUIPMENT AND MAKE FINAL CONNECTIONS.

3 AIR-VAC MACHINE DETAILS
3/4"=1'-0"

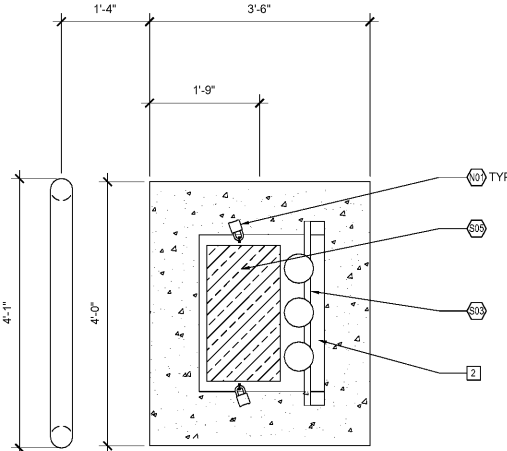


2 HOOP BOLLARD DETAIL
1/2"=1'-0"



SIDE

FRONT



PLAN

1 TANK VENT RISER SECTIONS
3/4"=1'-0"

Description	Date	Rev. #

Proto 12-01-2020

7-ELEVEN, INC.
3200 HACKBERRY ROAD, IRVING TEXAS 75063
7-ELEVEN #41795
9000 BLOCK OF SE MARICAMP ROAD
OCALA, FL 34470
REMOTE VENT AND DETAILS



CORE STATES GROUP
1700 Industrial Drive, Suite B
Rogers, AR 72759
PHONE (479) 752-4400
FAX (479) 688-4401

Job#:	SEI-31123
Scale:	AS NOTED
Date:	01/07/2020
Drawn By:	TJS
Checked By:	CVK

Documents prepared by Core States Group are to be used for the specific use intended. Any extension of use to other projects, by owner or other parties, without the expressed, written consent of Core States Group is prohibited. Core States Group is not liable for any claims, damages, or losses arising out of the use of these documents in any manner other than that specifically intended. User will hold Core States Group harmless from all claims and losses.



SHEET: **G6.0**
FUELING - USA