

GENERAL NOTES

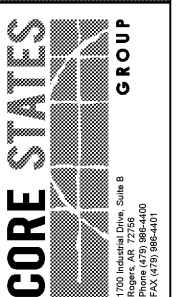
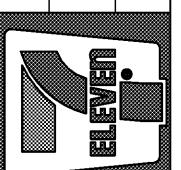
- 1 AFTER ALL UNDERGROUND PIPING AND ELECTRIC CONDUITS ARE INSTALLED AND DURING EXCAVATION, BACKFILLING, AND CONCRETE POURING, A CONTINUOUS HYDROSTATIC TEST SHALL BE PERFORMED ON ALL SUMPS AND SPILL BUCKETS TO ENSURE TIGHTNESS AND PROPER INSTALLATION.
- 2 SUMP TO BE CLEANED OF DEBRIS AND DRIED AFTER TESTING.

KEY NOTES

- 1 SOURCE NORTH AMERICA TO SUPPLY U-BOLTS TO SECURE PIPING TO CROSS BRACKETS SUPPLIED BY GILBARCO.
- 2 CRITICAL - MUST HAVE 2" RAIN LIP ABOVE INTEGRAL RAIN LIP FRAME.
- 3 SHEAR SECTIONS OF SHEAR VALVES SHALL BE MOUNTED FLUSH WITH TOP OF PAVEMENT.
- 4 HOSE RETRACTOR REQUIRES FIELD MODIFICATION. REF MANUFACTURER'S INSTALLATION INSTRUCTIONS FOR SPECIFIC USE.

Rev. #	Date	Description

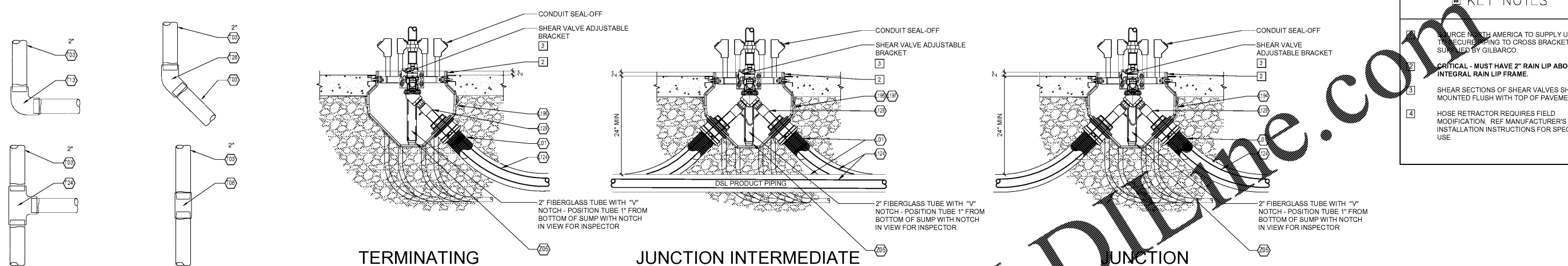
7-ELEVEN, INC.  
3200 HACKBERRY ROAD, IRVING TEXAS 75063  
7-ELEVEN #41795  
9000 BLOCK OF SE MARICAMP ROAD  
OCALA, FL 34470  
DISPENSER AND SUMP DETAILS



Job#: SEI-31123  
Scale: AS NOTED  
Date: 01/07/2020  
Drawn By: TJS  
Checked By: CVK

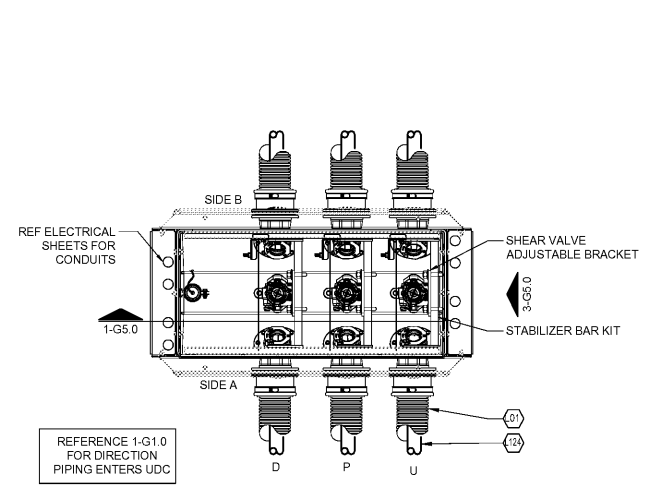


SHEET:  
**G5.0**  
FUELING - USA

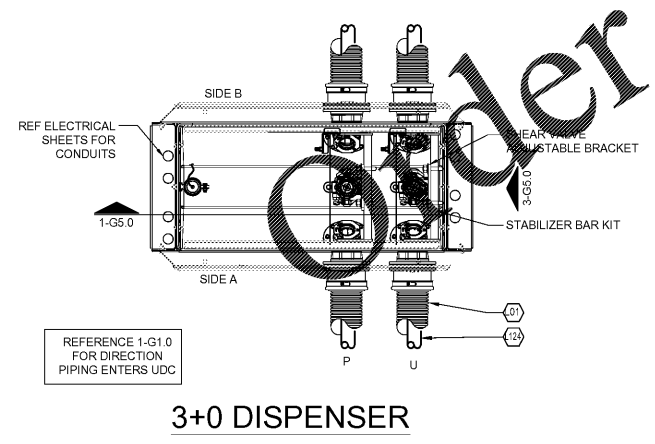


4 PIPING CONNECTIONS  
1" = 1'-0"

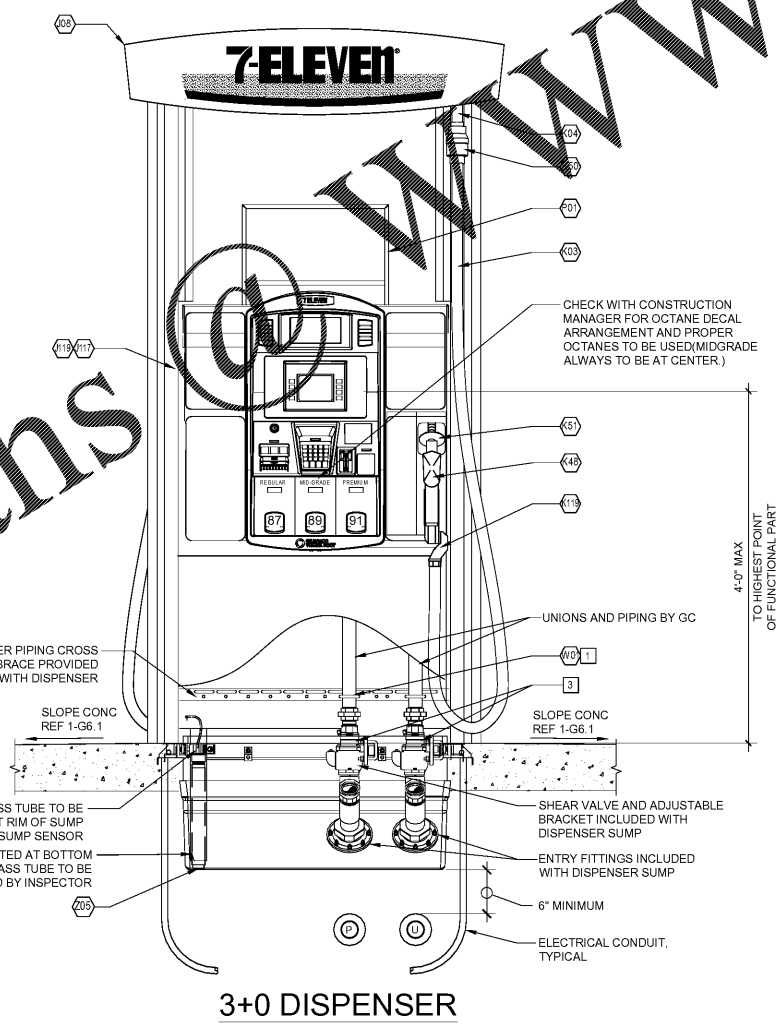
3 DISPENSER SUMP SECTION  
1" = 1'-0"



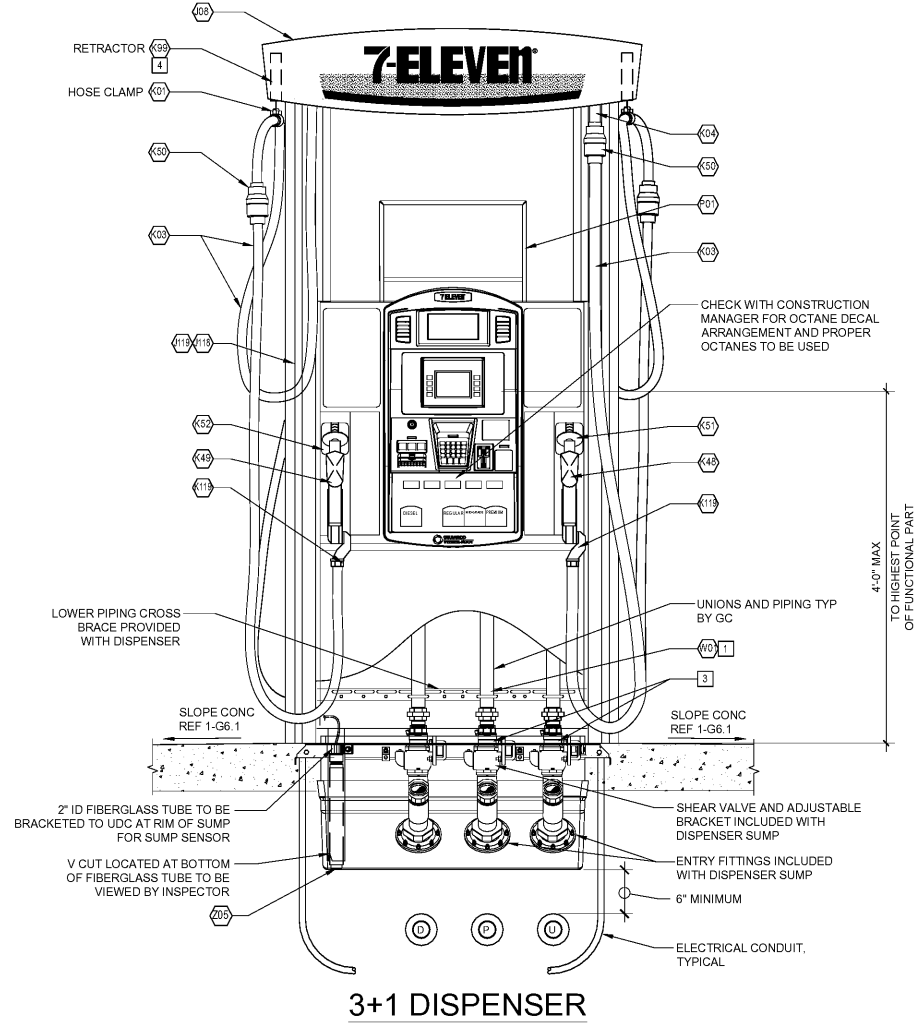
3+1 DISPENSER



3+0 DISPENSER



3+0 DISPENSER



3+1 DISPENSER

2 DISPENSER SUMP - PLAN VIEWS  
1" = 1'-0"

1 GILBARCO ENCORE 700S DISPENSER  
1" = 1'-0"

PRINTED BY: TSWR - G5.0 DISPENSER AND SUMP DETAILS.DWG PRINT DATE: Jan 07, 2021 - 2:17pm

Order Plans

WWW.LDLINE.COM