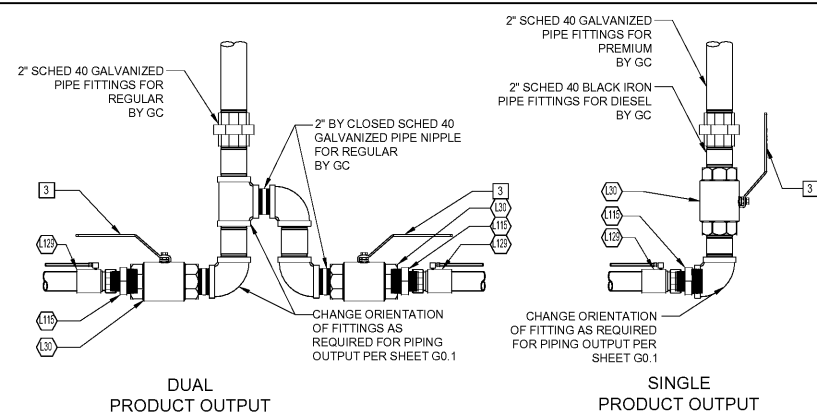
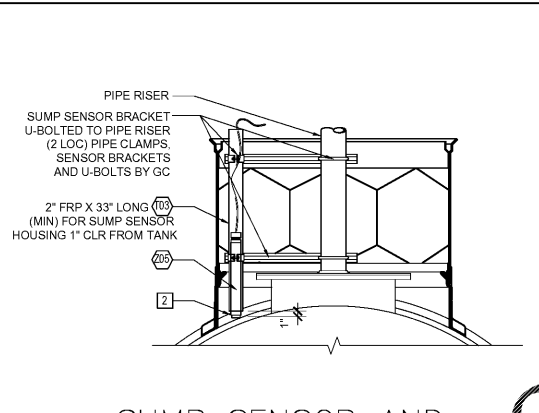


LAY-UP SAMPLES SHOWN ARE FOR REFERENCE ONLY. REFER TO MANUFACTURER'S INSTALLATION INSTRUCTIONS FOR SPECIFIC LAY-UP MATERIALS AND METHODS.

6 TANK SUMP LAYUP DETAILS
NTS

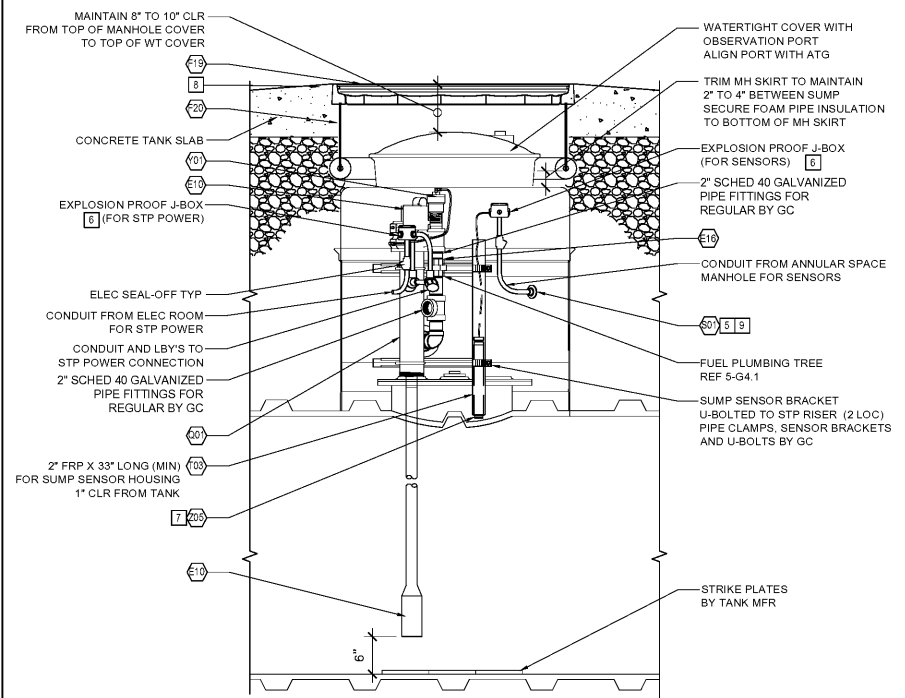


5 FUEL PIPING TREE DETAILS
1 1/2"=1'-0"

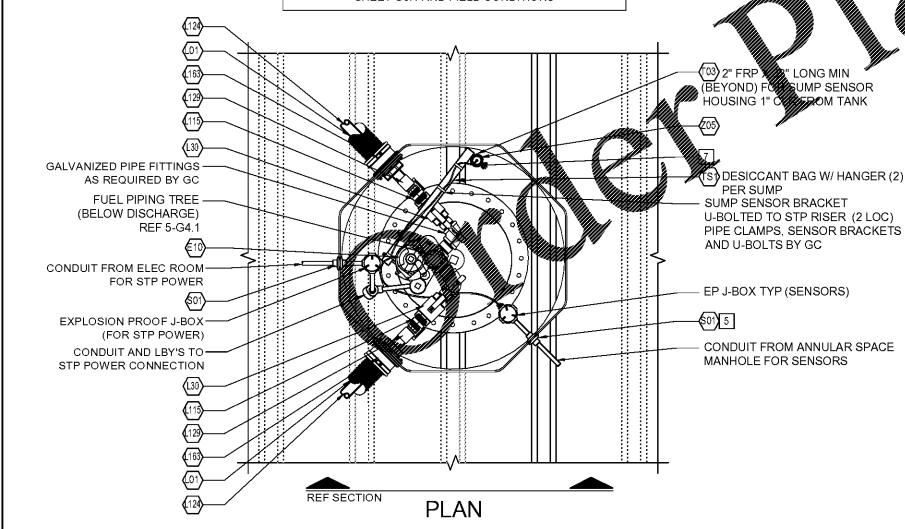


4 SUMP SENSOR AND SENSOR BRACKET DETAILS
3/4"=1'-0"

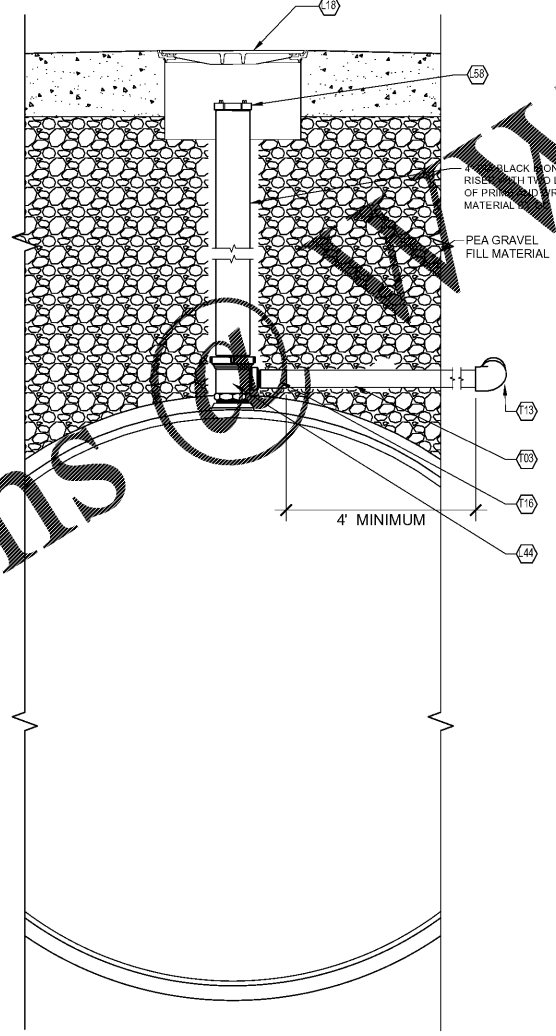
- KEY NOTES
- CONCRETE SLAB. REF G0.1 AND CIVIL DRAWINGS FOR TOS ELEVATIONS. ALL MANHOLES COVERS WITHIN THE TANK SLAB AREA ARE TO BE SET 1" ABOVE THE FINISH GRADE AND SLOPE CONCRETE AWAY FROM MANWAY COVERS AT 2% GRADE. CROWN CONCRETE AS TO NOT INHIBIT WATER DRAINAGE OFF THE TANK SLAB (NO POOLING).
 - SUMP SENSOR TO REST AT LOWEST POINT OF SUMP ENCLOSURE ON PRODUCT PIPING SIDE OF SUMP. TANK CONTRACTOR TO SUPPLY UNISTRUT BRACKETS, PIPE CLAMPS AND 2" FRP SLEEVE FOR 2-POINT MOUNTING OF THE SLEEVE.
 - POSITION BALL VALVE FOR UNOBSTRUCTED USE OF SHUT-OFF HANDLE.
 - OVERFLOW PREVENTION VALVE INSTALLED PER MFR'S RECOMMENDATION. SET OVERFLOW DEVICE FOR RESISTANCE TO FLOW AT OR BELOW 90% TANK CAPACITY AND PROVIDE SHUT-OFF AT 95% TANK CAPACITY TO MEET NFPA 30 REQUIREMENTS.
 - ELECTRICAL CONDUIT(S) TO ENTER SUMP 2" MIN ABOVE HIGHEST PRODUCT PENETRATION.
 - LOCATE ELECTRICAL JUNCTION BOX IN UPWARD POSITION AT HIGHEST LOCATION IN SUMP RISER FOR EASY ACCESS FROM ABOVE.
 - SUMP SENSOR TO REST AT LOWEST POINT OF SUMP ENCLOSURE ON PRODUCT PIPING SIDE OF SUMP. TANK CONTRACTOR TO SUPPLY ALL BRACKETS AND CLAMPS FOR 2-POINT MOUNTING OF THE 2" FRP SLEEVE.
 - SET MANHOLE COVERS 1" ABOVE THE FINISH GRADE AND SLOPE CONCRETE AWAY FROM MANWAY COVERS AT 2% GRADE.
 - USE ONLY ROB ROY CONDUIT TYPES "PERMA-COAT", "PLASTI-BOND" OR "KORKAP" ELECTRICAL CONDUITS AT FIBERGLASS TANK SUMPS OR WHERE BRAVO F-17-RR OR F-10-RR ENTRY FITTINGS ARE CALLED OUT.



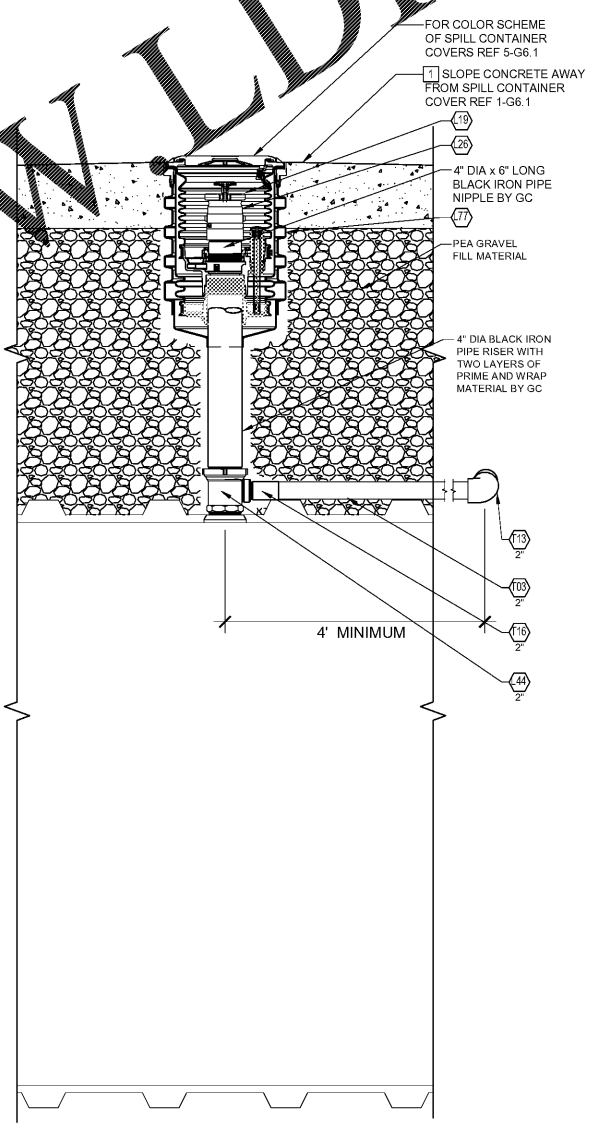
ROTATE VIEW AS REQUIRED FOR FIELD CONDITION
ELECTRICAL PENETRATIONS INTO SUMP ARE SHOWN FOR REFERENCE ONLY - COORDINATE LOCATIONS WITH SHEET G9.0 AND FIELD CONDITIONS
PIPING PENETRATIONS INTO SUMP ARE SHOWN FOR REFERENCE ONLY - COORDINATE LOCATIONS WITH SHEET G0.1 AND FIELD CONDITIONS



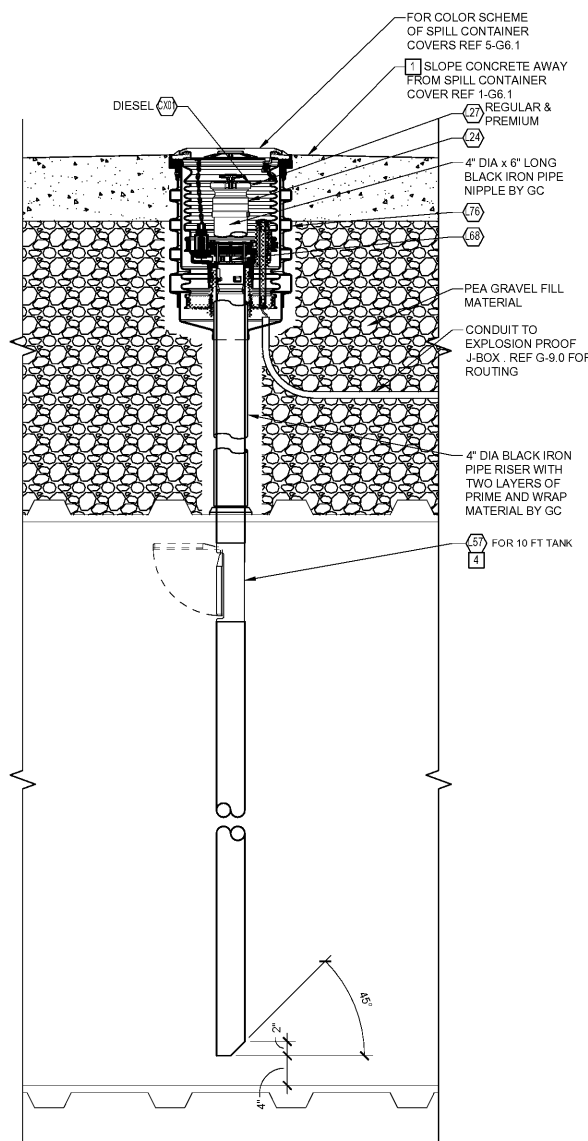
7 REGULAR STP SUMP DETAILS
1"=1'-0"



3 DIESEL VENT DETAIL
1"=1'-0"



2 RUL / PUL VENT/VAPOR DETAIL
1"=1'-0"

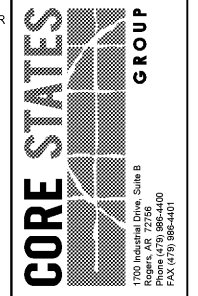
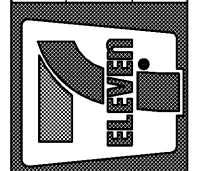


1 FUEL FILL CONTAINER DETAIL
1"=1'-0"

PRINTED BY: TSWAR
DRAWING NAME: 41795 - 04.1 TANK SUMP DETAILING
PRINT DATE: Jan 07, 2021 - 2:17pm

Rev. #	Date	Description

Proto 12-01-2020
7-ELEVEN, INC.
3200 HACKBERRY ROAD, IRVING TEXAS 75063
7-ELEVEN #41795
9000 BLOCK OF SE MARICAMP ROAD
OCALA, FL 34470
TANK SUMP DETAILS



Job#: SEI-31123
Scale: AS NOTED
Date: 01/07/2020
Drawn By: TJS
Checked By: CVK

Documents prepared by Core States Group are to be used for the specific project and site only. Any extension of use to other projects, by owner or contractor, without the expressed, written consent of Core States Group is prohibited. Core States Group is not responsible for any errors or omissions in this drawing. If a discrepancy is found between this drawing and any other drawing, this drawing shall prevail. Core States Group shall not be held liable for any claims and losses.



SHEET: G4.1
FUELING - USA