

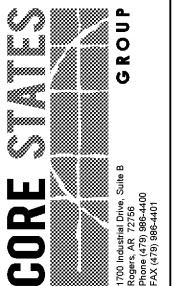
Rev. #	Date	Description

**KEY NOTES**

- ELECTRICAL CONDUIT(S) TO ENTER SUMP 2" MIN ABOVE HIGHEST PRODUCT PENETRATION.
- LOCATE ELECTRICAL JUNCTION BOX IN UPWARD POSITION AT HIGHEST LOCATION IN SUMP RISER FOR EASY ACCESS FROM ABOVE.
- SUMP SENSOR TO REST AT LOWEST POINT OF SUMP ENCLOSURE ON PRODUCT PIPING SIDE OF SUMP. TANK CONTRACTOR TO SUPPLY ALL BRACKETS AND CLAMPS FOR 2-POINT MOUNTING OF THE 2" FRP SLEEVE.
- SET MANHOLE COVERS 1" ABOVE THE FINISH GRADE AND SLOPE CONCRETE AWAY FROM MANHOLE COVERS AT 2% GRADE.
- POSITION BALL VALVE FOR UNOBSTRUCTED USE OF SHUT-OFF HANDLE.
- STP POWER CONDUITS MUST BE RUN IN SEPARATE RACEWAY. ENTIRE WIRING RUN MUST BE IN RIGID PVC COATED GALVANIZED STEEL CONDUIT. USE ONLY ROB ROY CONDUIT TYPES "PERMA-COAT", "PLASTI-BOND" OR "KORKAP". NO PVC OR RNC CONDUIT ALLOWED.
- USE ONLY ROB ROY CONDUIT TYPES "PERMA-COAT", "PLASTI-BOND" OR "KORKAP" ELECTRICAL CONDUITS AT FIBERGLASS TANK SUMPS OR WHERE BRAVO F-17-RR OR F-10-RR ENTRY FITTINGS ARE CALLED OUT.

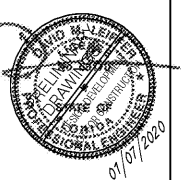
Proto 12-01-2020

7-ELEVEN, INC.  
3200 HACKBERRY ROAD, IRVING TEXAS 75063  
7-ELEVEN #41795  
9000 BLOCK OF SE MARICAMP ROAD  
OCALA, FL 34470  
TANK SUMP DETAILS  
DUAL OUTPUT

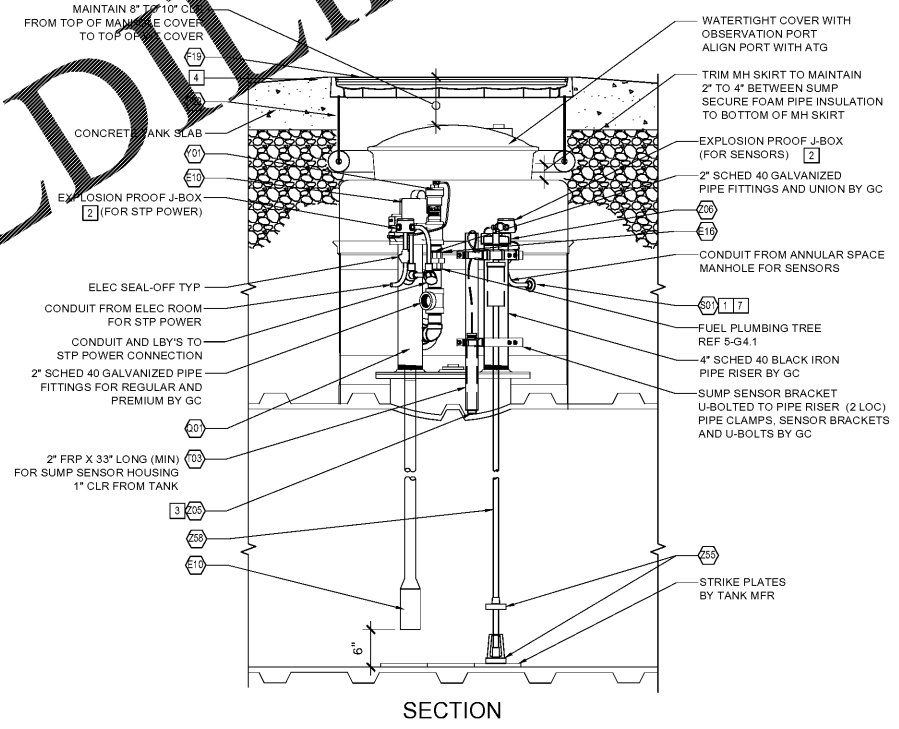


Job#: SEI-31123  
Scale: AS NOTED  
Date: 01/07/2020  
Drawn By: TJS  
Checked By: CVK

Documents prepared by Core States Group are to be used for the specific project for which they are intended. Any extension of use to other projects, by owner or otherwise, without the expressed, written consent of Core States Group is prohibited. If the user requires more specific information, user will hold Core States Group harmless from all claims and losses.



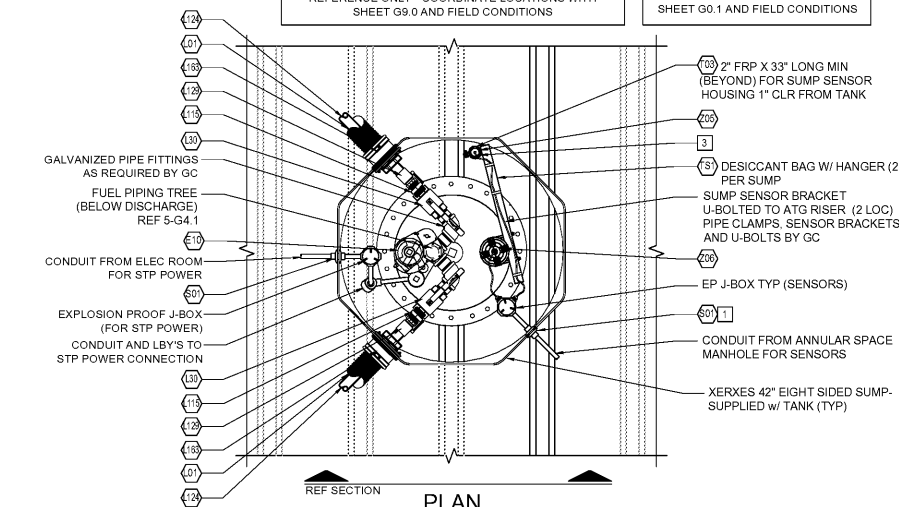
SHEET: **G4.0**  
FUELING - USA D/O



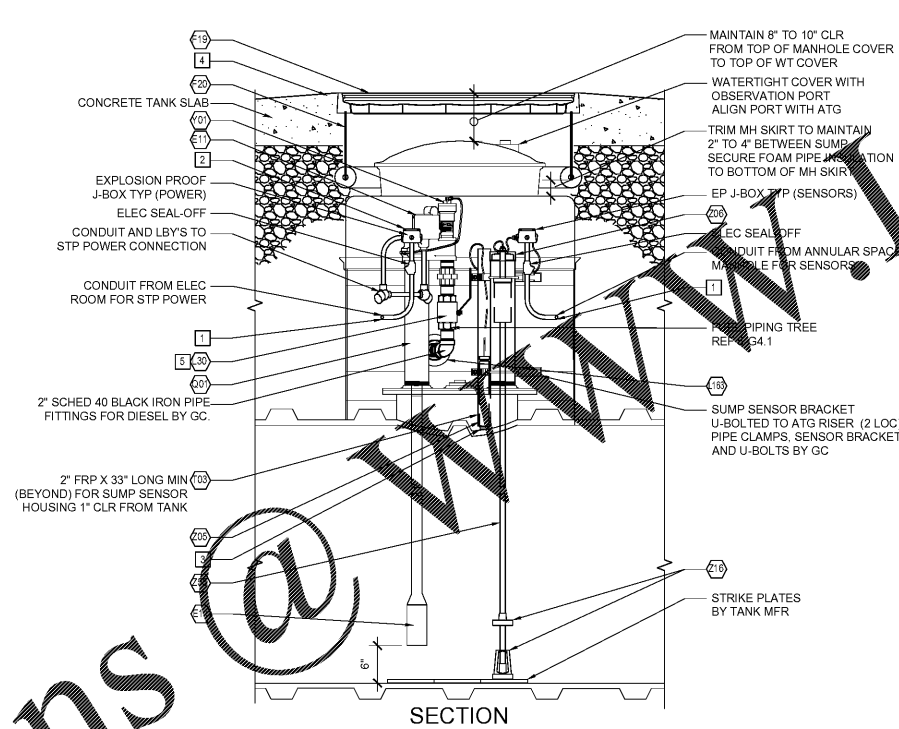
ROTATE VIEW AS REQUIRED FOR FIELD CONDITION

PIPING PENETRATIONS INTO SUMP ARE SHOWN FOR REFERENCE ONLY - COORDINATE LOCATIONS WITH SHEET G9.0 AND FIELD CONDITIONS

PIPING PENETRATIONS INTO SUMP ARE SHOWN FOR REFERENCE ONLY - COORDINATE LOCATIONS WITH SHEET G0.1 AND FIELD CONDITIONS



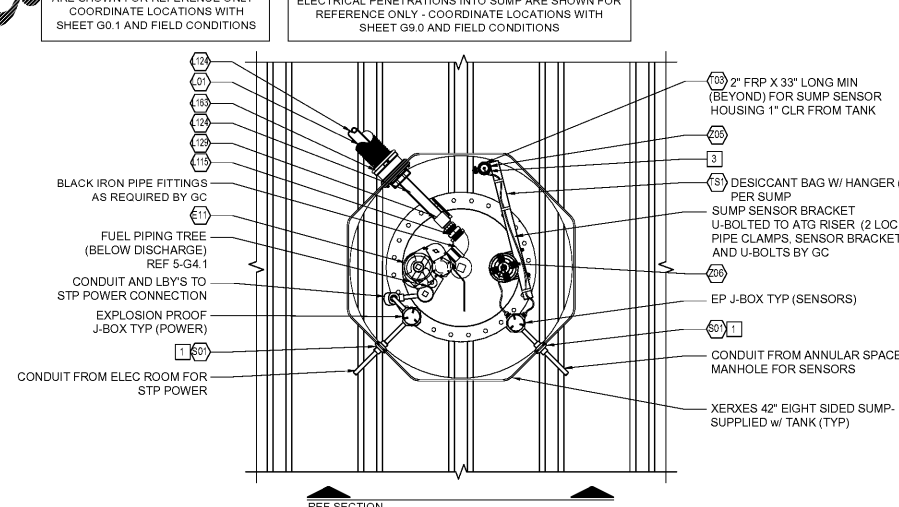
**1** REGULAR STP/ATG SUMP DETAILS  
3/4"=1'-0"



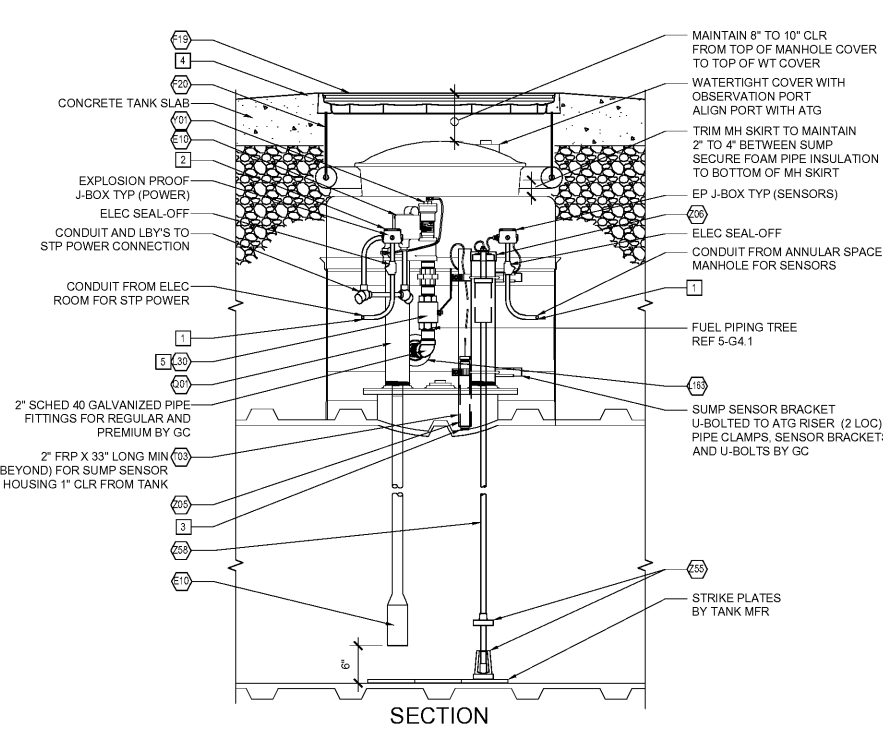
ROTATE VIEW AS REQUIRED FOR FIELD CONDITION

PIPING PENETRATIONS INTO SUMP ARE SHOWN FOR REFERENCE ONLY - COORDINATE LOCATIONS WITH SHEET G9.0 AND FIELD CONDITIONS

PIPING PENETRATIONS INTO SUMP ARE SHOWN FOR REFERENCE ONLY - COORDINATE LOCATIONS WITH SHEET G0.1 AND FIELD CONDITIONS



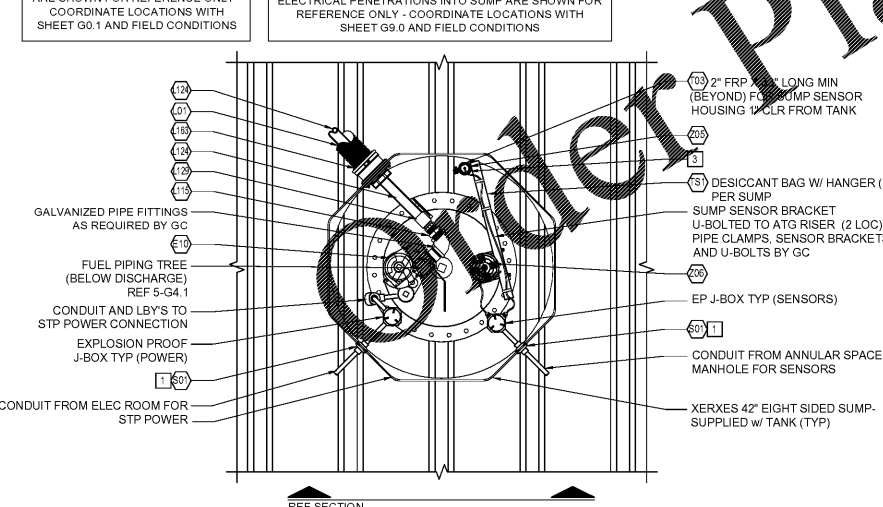
**2** DIESEL STP SUMP DETAILS  
3/4"=1'-0"



ROTATE VIEW AS REQUIRED FOR FIELD CONDITION

ELECTRICAL PENETRATIONS INTO SUMP ARE SHOWN FOR REFERENCE ONLY - COORDINATE LOCATIONS WITH SHEET G9.0 AND FIELD CONDITIONS

PIPING PENETRATIONS INTO SUMP ARE SHOWN FOR REFERENCE ONLY - COORDINATE LOCATIONS WITH SHEET G0.1 AND FIELD CONDITIONS



**3** PREMIUM STP SUMP DETAILS  
3/4"=1'-0"

PRINTED BY: TSWBR; DRAWING NAME: 41795 - 64.0 TANK SUMP DETAILING; PRINT DATE: Jun 07, 2021 - 2:17pm

www.wldline.com

Order Plans