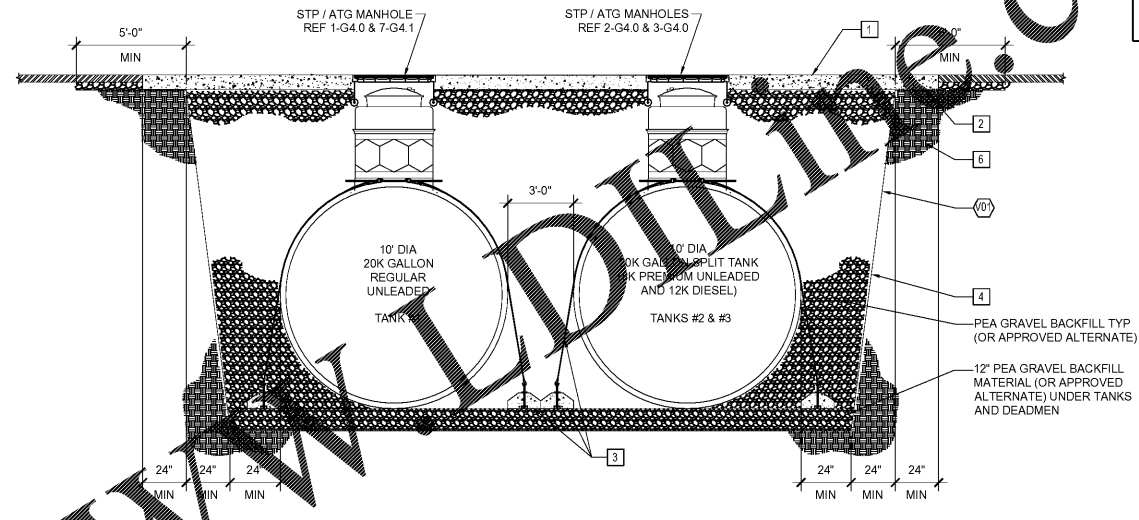
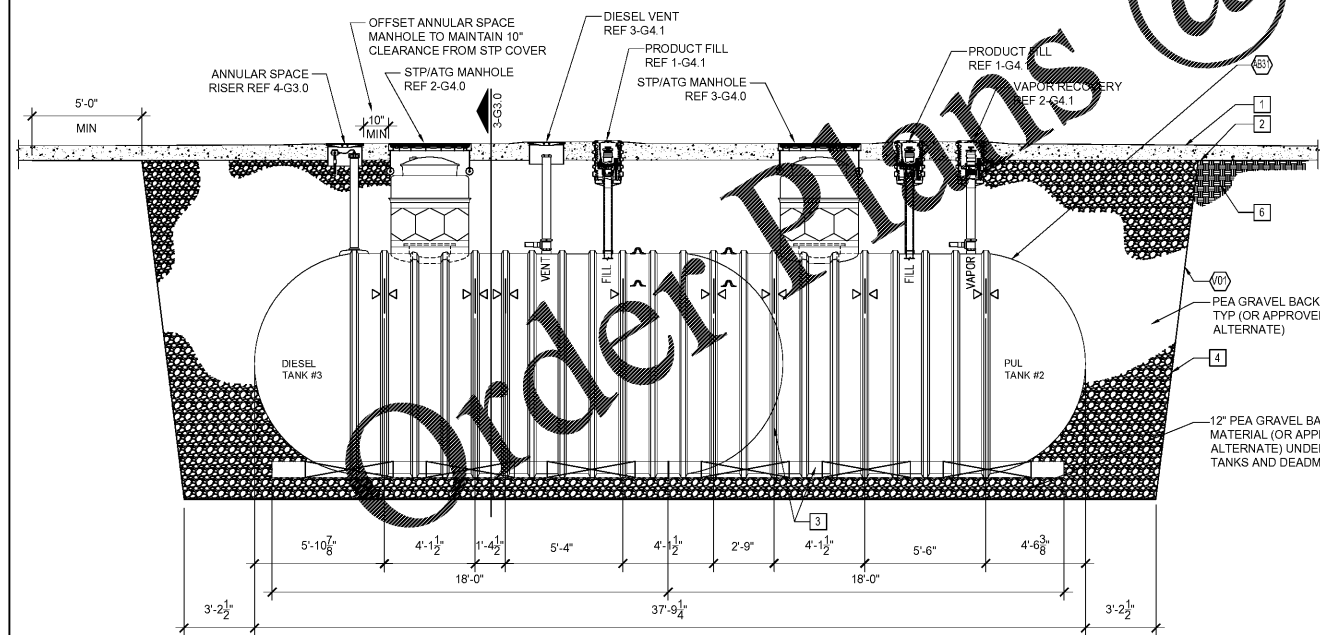


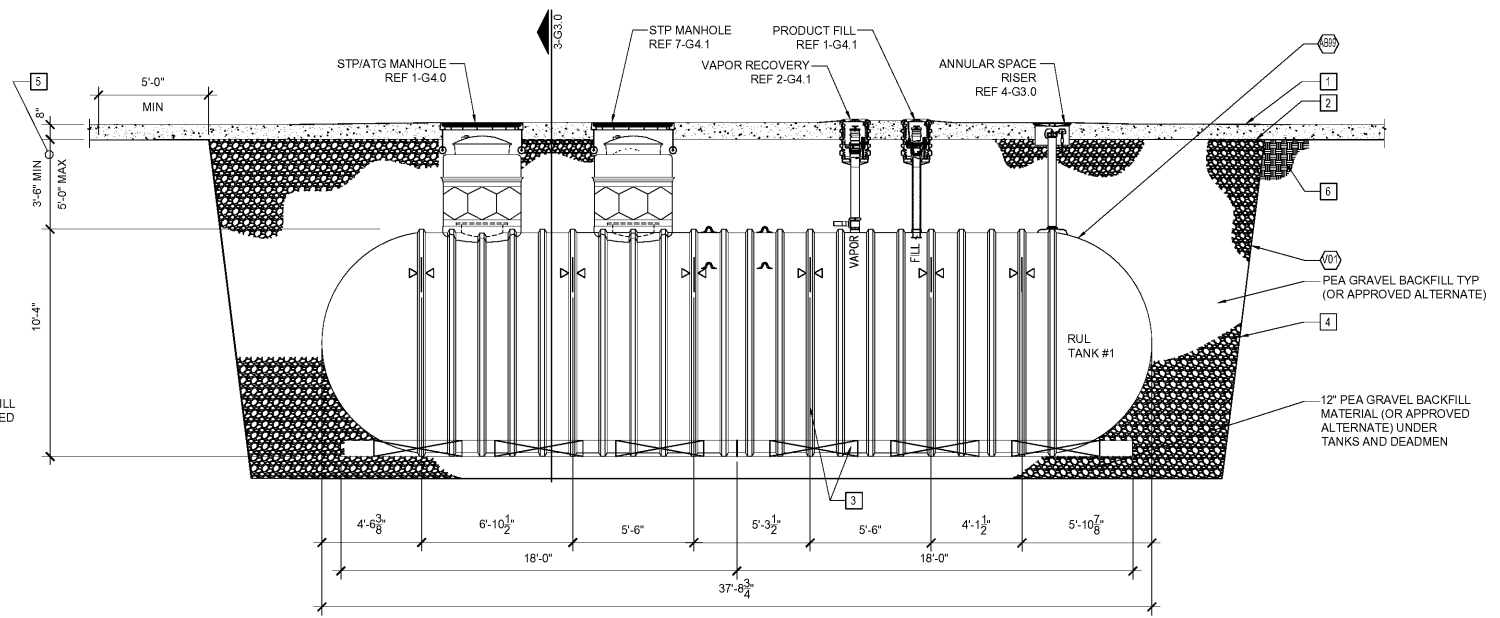
4 ANNULAR SPACE RISER AND SENSOR SECTION
1/2"=1'-0"



3 10' DIA UNDERGROUND STORAGE TANK SECTION
1/4"=1'-0"



2 10' DIA 20,000 GALLON SPLIT TANK SECTION
1/4"=1'-0"

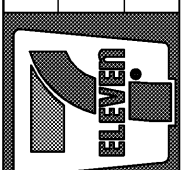


1 10' DIA 20,000 GALLON TANK SECTION
1/4"=1'-0"

KEY NOTES	
1	CONCRETE SLAB. REF G0.1 AND CIVIL DRAWINGS FOR TOS ELEVATIONS. ALL MANHOLES WITHIN THE TANK SLAB AREA TO BE RAISED 1" ABOVE THE NORMAL GRADE OF CONCRETE. SLOPE CONCRETE TO MANHOLES 1/4" PER FT. CROWN CONCRETE AS TO NOT INHIBIT WATER DRAINAGE OFF THE TANK SLAB (NO POOLING).
2	GEOTECH FABRIC MATERIAL TO EXTEND 60" MINIMUM PAST THE TANK HOLE EXCAVATION. ALL GEOTECH FABRIC MATERIAL TO BE PINNED PRIOR TO BACKFILLING. METHOD OF PINNING FABRIC AT TOP OF EXCAVATION TO BE APPROVED BY THE 7-ELEVEN CONSTRUCTION MGR.
3	MOH STRAP ANCHOR SYSTEM SUPPLIED BY TANK MANUFACTURER. PLACE DEADMEN PER MANUFACTURER'S INSTALLATION INSTRUCTIONS.
4	PEA GRAVEL BACKFILL TO FOLLOW CURRENT OSHA REGULATIONS. SHEET PILES ARE UTILIZED. PROVIDE 42" MINIMUM CLEARANCE BETWEEN NEW TANKS AND SHORING.
5	EXCAVATION DEPTH GREATER THAN 5'-8" REQUIRES 7-ELEVEN AND MANUFACTURER'S APPROVAL.
6	UNDISTURBED SOIL OR COMPACTED BACK FILL NOT LESS THAN 95% OF MODIFIED PROCTOR DENSITY (AASHTO-T-180).

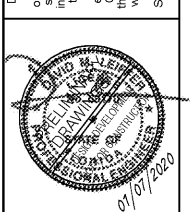
Rev. #	Date	Description

7-ELEVEN, INC.
3200 HACKBERRY ROAD, IRVING TEXAS 75063
7-ELEVEN #41795
9000 BLOCK OF SE MARICAMP ROAD
OCALA, FL 34470
TANK SECTIONS
Proto 12-01-2020



CORE STATES GROUP
1700 Industrial Drive, Suite B
Rogers, AR 72756
Phone: (479) 259-4900
Fax: (479) 968-4401

Job#:	SEI-31123
Scale:	AS NOTED
Date:	01/07/2020
Drawn By:	TJS
Checked By:	CVK



SHEET:
G3.0
FUELING - USA

PRINTED BY: TSWAR
DRAWING NAME: 41795 - G3.0 TANK SECTIONS
PRINT DATE: Jan 07, 2021 - 2:16pm