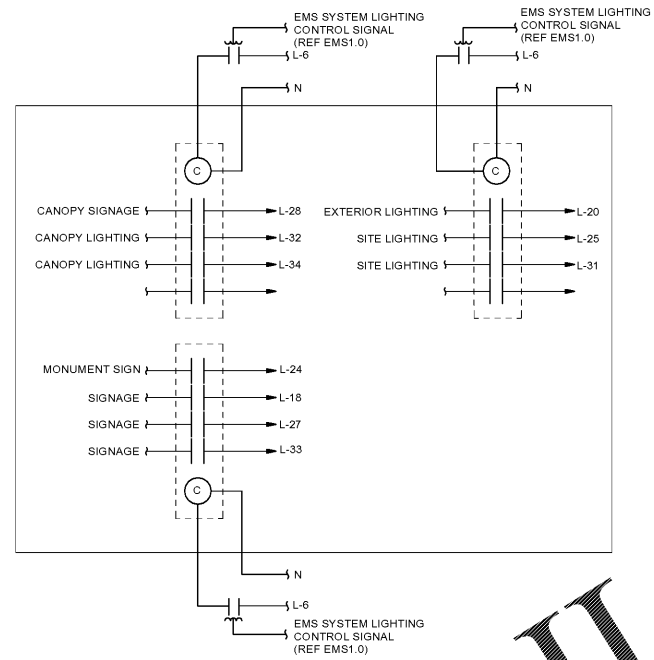
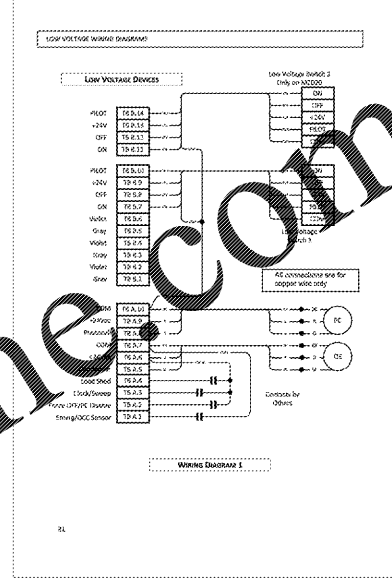


Order Plans @ [www.LDILine.com](http://www.LDILine.com)

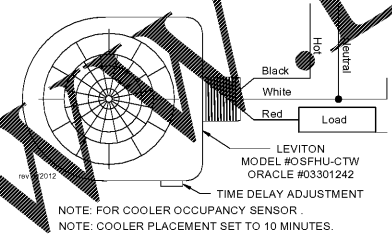


5 LIGHTING CONTACTOR  
N.T.S.

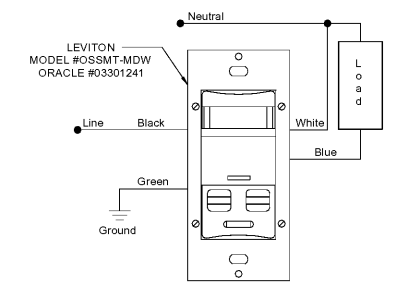


1 IRC WIRING DIAGRAM  
N.T.S.

NOTE: CONTRACTOR TO CONTACT LEVITON TECHNICAL SUPPORT WITH ANY QUESTIONS IN REGARD TO INSTALLATION.  
EMCAtechsupport@leviton.com  
800-959-6004

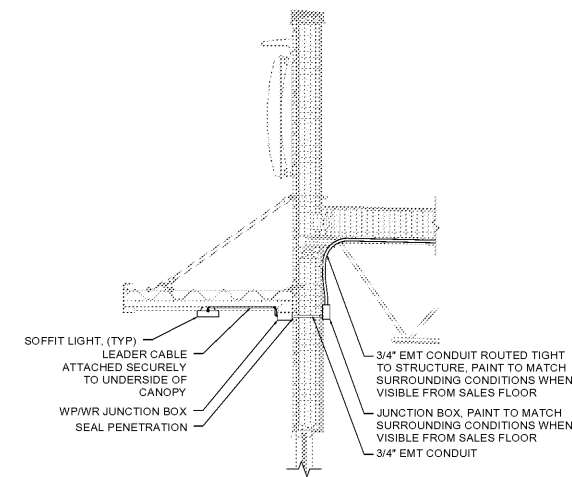


4 "B" OCCUPANCY SENSOR (VAULT)  
N.T.S.



3 "A" OCCUPANCY SENSOR  
N.T.S.

NOTE: FOR RESTROOM, OFFICE, CDC TOTE, AND ELECTRICAL ROOM SWITCHING  
NOTE: RESTROOM SET TO 10 MINUTES  
BACKROOM AND OFFICES SET TO 20 MINUTES  
BACKROOM WITH HIDDEN AREAS SET TO 30 MINUTES



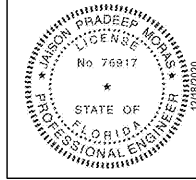
2 SOFFIT LIGHT WIRING DETAIL  
N.T.S.

1925 Prospect Ave.  
Orlando, FL 32814  
P (407) 661-9100  
P (407) 661-9101  
[www.ep.com](http://www.ep.com)  
Florida Corporate Certificate #AA 000626

**4**  
**Enhaci & Peterson**  
Architects Engineers Planners

CLIENT NAME  
**BLACKFIN PARTNERS INVESTMENTS, INC.**  
4400 PCA BLVD, SUITE 600  
PALM BEACH GARDENS, FL 33410

PROJECT NAME  
**7-ELEVEN #1795 - OCALA, FL**  
9000 BLOCK OF SE MARICAMP ROAD  
OCALA, FL 34470



RELEASE	

PROJECT NO.	220035
DATE	12/17/2020
DRAWN	SS
CHECKED	JS