

KEYNOTES - LIGHTING	
1	LEVITON MODEL RLVSW-4LW 4-BUTTON WALL MOUNTED CONTROL FOR MANUAL ON/OFF/DIMMING LOCATED BY ENTRANCE DOOR TO BACK ROOM. RE: 1/E2.1 FOR FACTORY WIRING DIAGRAM.
2	LEVITON MODEL DS710-10Z DIMMER SWITCH LOCATED IN STOCKROOM, KITCHEN, AND BATHROOM FOR MANUAL CONTROL OF STOCKROOM/KITCHEN LIGHTING.
3	LEVITON MODEL OSC20-M0W OCCUPANCY/VACANCY SENSOR CEILING MOUNTED IN FOR AUTOMATIC CONTROL OF LIGHTING.
4	LEVITON MODEL OPP20-D2 POWER PACK LOCATED IN CEILING PLENUM NEAR MANAGERS OFFICE.
5	LEVITON MODEL PCSKY PHOTOCELL (PC) MOUNTED ON CEILING IN SKYLIGHT ZONE FOR AUTOMATIC DAYLIGHT CONTROL. RE: 1/E2.1 FOR FACTORY WIRING DIAGRAM.
6	LEVITON MODEL MZD20-102 2-ZONE ROOM CONTROLLER LOCATED IN CEILING PLENUM NEAR MANAGERS OFFICE. RE: 1/E2.1 FOR FACTORY WIRING DIAGRAM.
7	OCCUPANCY SENSOR 'A', RE: 3/E2.1, *42", TYP. LEVITON OSMT-M0W, WITH MANUAL OVERRIDE.
8	OCCUPANCY SENSOR 'B', RE: 4/E2.1, TYP.
9	REFER TO RECESSED FIXTURE MOUNTING DETAIL, RE: 3/E2.0, TYP.
10	13W LED COOLER DOOR LIGHTS PROVIDED AND INSTALLED BY COOLER DOOR MANUFACTURER, E.C. TO PROVIDE WIRING FOR COOLER/FREEZER DOOR LIGHTS AND CONNECT TO MANUFACTURER SUPPLIED JUNCTION BOX.
11	MOUNT AT 9'-4" TO BOTTOM. RE: 4/E2.0, TYPICAL OF ALL LOCATIONS.
12	LINE VOLTAGE WIRING AT THE STOREFRONT IN OPEN CEILING AREAS SHALL BE ROUTED THROUGH A NONMETALLIC RACEWAY SYSTEM. THERE SHALL BE NO EXPOSED WIRING IN THE SALES AREA. RACEWAY SHALL RUN ACROSS THE FRONT WALL AND DOWN TO THE EXIT SIGN. RE: 2/E2.0 FOR MORE INFORMATION. OWNER TO PROVIDE LEGRAND 400 SERIES SYSTEM WITH ALL FITTINGS AND DEVICE BOXES REQUIRED FOR CONNECTION TO EXIT SIGN.
13	SWITCH TO BE WET LOCATION RATED.
14	EVENLITE MODEL LM-S2-LC-V1-WB INVERTER FOR EMERGENCY LIGHTING CIRCUIT. SEE DETAIL RE: 2/E2.0 FOR WIRING DIAGRAM. CONTRACTOR TO ENSURE INVERTER SIZE MATCHES EMERGENCY LIGHTING LOAD.
15	CIRCUIT TO BE WIRED THROUGH INVERTER FOR 90 MINUTE EMERGENCY BACKUP. SEE DETAIL RE: 2/E2.0 FOR WIRING DIAGRAM.

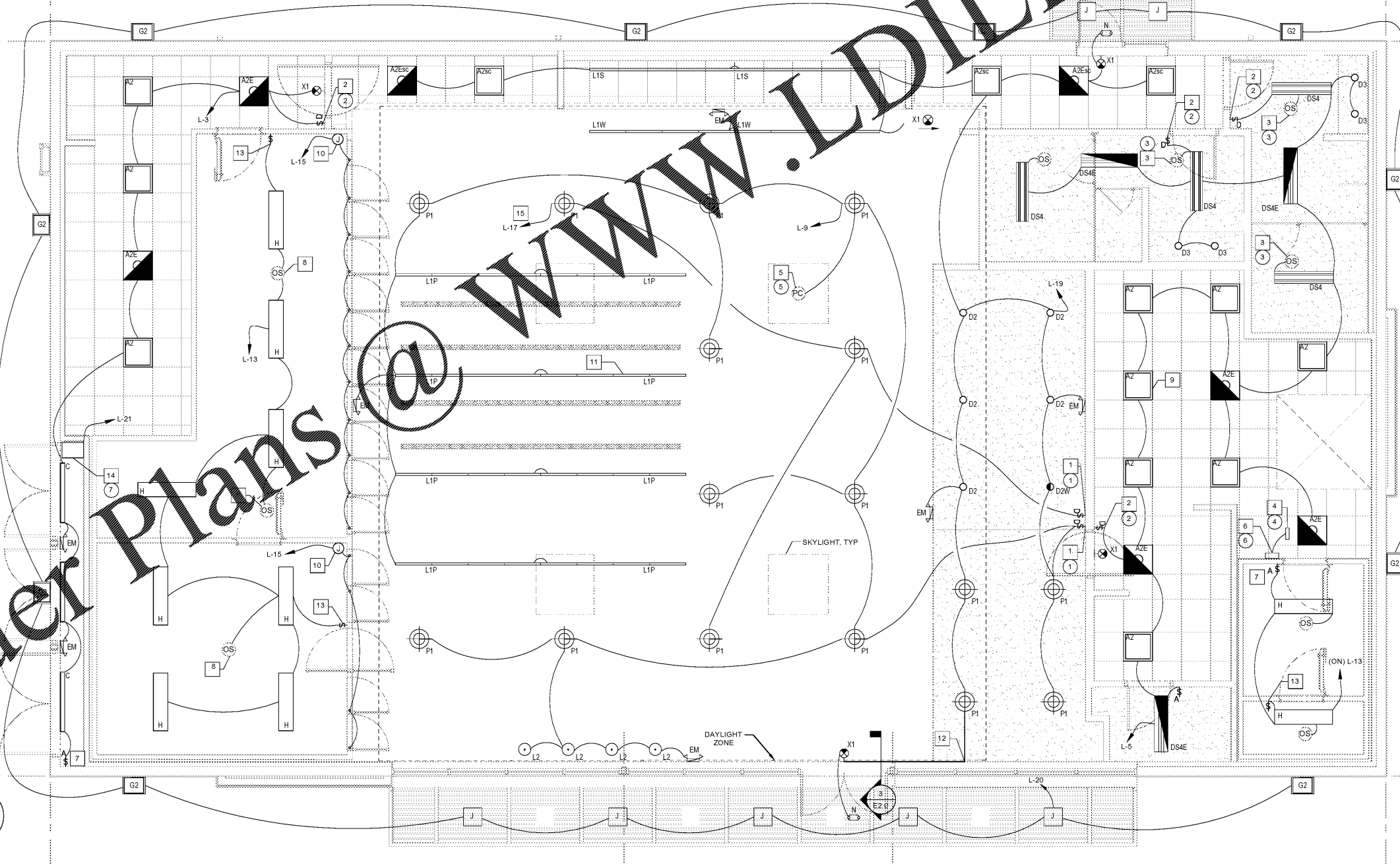
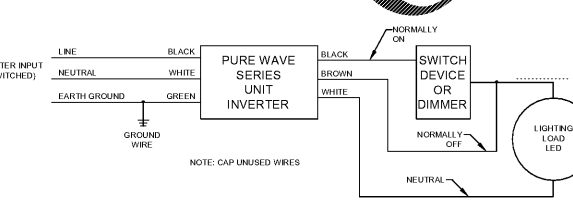
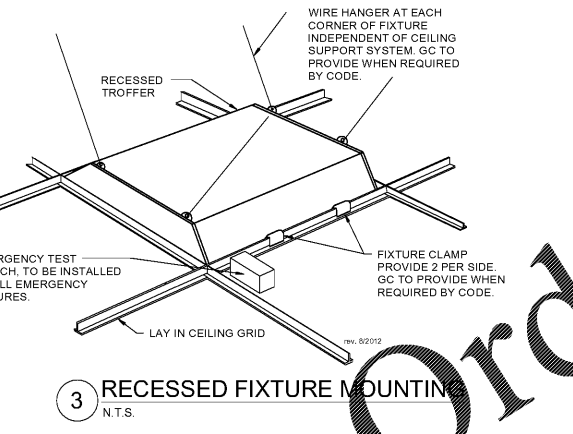
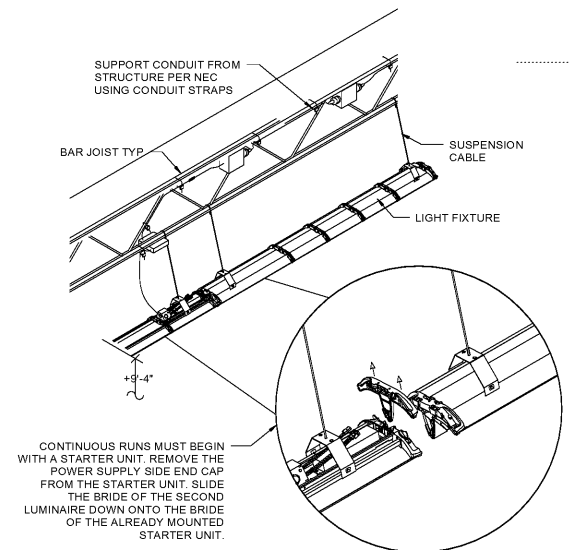
LIGHTING FIXTURE SCHEDULE										
TYPE	MANUFACTURER	MODEL NUMBER	ORACLE NUMBER	VOLTS/PHASE	WATTS	LAMP TYPE	MOUNTING	DESCRIPTION		QTY
AZ	CREE	ZR22C-40L-40K-10V-FD	3291295	120/277V, 1	32	LED	RECESSED	LED 2' X 2' RECESSED TROFFER: 0-10V; 40K; 120/277V		10
AZc	CREE	ZR22MT-40L-40K-CMA-FL	3291297	120/277V, 1	32	LED	RECESSED	LED 2' X 2' RECESSED TROFFER: 0-10V; 40K; 120/277V WITH EMERGENCY BATTERY		5
AZesc	CREE	ZR22MT-40L-40K-CMA-EB14-FL	3291296	120/277V, 1	40	LED	RECESSED	LED 2' X 2' RECESSED TROFFER: 0-10V; 40K; 120/277V WITH CMA CONTROL & EMERG BATTERY		3
C	PHILIPS	FSSEZ40L840-UNV	3299637	120/277V, 1	32	LED	SURFACE	LED SURFACE LINEAR 4' 4000K		2
D2	SIGNIFY / PHILLIPS	P4RDL20835CLZ10U		120/277V, 1	20	LED	RECESSED	LED 4.5" DOWNLIGHT: 3500K		5
D2W	SIGNIFY / PHILLIPS	P4RLW20835CLZ10U		120/277V, 1	20	LED	RECESSED	LED 4.5" DOWNLIGHT: 3500K		1
D3	SIGNIFY / PHILLIPS	P4RDL05635CLZ10U		120/277V, 1	7	LED	RECESSED	LED 4.5" DOWNLIGHT: 3500K		4
DS4	CREE	CR-LE-40L-40K-S		120/277V, 1	40	LED	SURFACE	LED 1X4 SURFACE MOUNTED: 3500K		4
DS4E	CREE	CR-LE-40L-40K-S-EB14SMK	3291305	120/277V, 1	40	LED	SURFACE	LED 1X4 SURFACE MOUNT LIGHT: 4000K; 120/277V; WITH EMERGENCY BATTERY		3
EM	SIGNIFY / PHILLIPS	VLLU	3299642	120/277V, 1	11	LED	WALL	EMERGENCY LED 2 LAMP WALL MOUNT		7
G2	CREE	XSPW-B-WM-3ME-4L-57K-UL-BZ	3291313	120/277V, 1	31	LED	WALL	LED WALL PACK: 5700K		10
H	PHILLIPS	FSSEZ40L835-UNV	3299638	120/277V, 1	30	LED	SURFACE	1X4 LED LINEAR STRIP, SURFACE MOUNT, GASKETED		10
J	CREE	CPY250-B-DM-F-C-UL-BZ-57K-HZ	3291317	120/277V, 1	31	LED	SURFACE	LED CANOPY: 5700K		7
L1P	CREE	ST3-SD-20-M-40K-L-SC5-08-D-WH		120/277V, 1	144	LED	SURFACE	LED RAIL PENDANT: 3500K		4
L1S	CREE	ST3-WD-20-M-40K-L-SC5-WH		120/277V, 1	144	LED	SURFACE	LED RAIL, SURFACE MOUNT: 3500K		1
L1W	CREE	ST3-SD-20-M-40K-W-SC5-08-D-WH		120/277V, 1	144	LED	SURFACE	LED RAIL PENDANT WALL WASH: 3500K		1
L2	BASELITE	S31260-L-BLC-LED32W/35K/120/277V		120/277V, 1	12	LED	PENDANT	LED MINI PENDANT: 3500K		4
P1	COOPER	LSM-90-W-90-35-D010TE-4B		120/277V, 1	98	LED	PENDANT	LED PENDANT: 3500K		16
N	COOPER	SELW25BZ	3299640	120/277V, 1	24	LED	WALL	LED WALL MOUNT, EMERGENCY BATTERY BACK-UP: 4500K		2
X1	COOPER	APX7-R	3299639	120/277V, 1	1	LED	UNIVERSAL	LED EXIT (RED) LETTERS, EMERGENCY BATTERY BACK-UP		4

LEVITON COMPONENTS SCHEDULE			
TYPE	MANUFACTURER	PART NUMBER	DESCRIPTION
1	LEVITON	RLVSW-4LW	4-BUTTON WALL MOUNTED CONTROL FOR MANUAL ON/OFF/DIMMING LOCATED BY ENTRANCE DOOR TO BACK ROOM.
2	LEVITON	DS710-10Z	DIMMER SWITCH LOCATED IN STOCKROOM, KITCHEN, AND BATHROOM FOR MANUAL CONTROL OF STOCKROOM LIGHTING.
3	LEVITON	OSC20-M0W	OCCUPANCY/VACANCY SENSOR CEILING MOUNTED IN STOCKROOM FOR AUTOMATIC CONTROL OF STOCKROOM LIGHTING.
4	LEVITON	OPP20-D2	POWER PACK LOCATED IN CEILING PLENUM NEAR MANAGERS OFFICE.
5	LEVITON	PCSKY	PHOTOCELL (PC) MOUNTED ON CEILING IN PRIMARY DAYLIGHT ZONE (1) FOR AUTOMATIC CONTROL OF PRIMARY AND SECONDARY DAYLIGHT ZONES (1) AND (2).
6	LEVITON	MZD30-101	3-ZONE ROOM CONTROLLER LOCATED IN CEILING PLENUM NEAR MANAGERS OFFICE.
7	EVENLITE	LM-S2-LC-V1-WB	525 WATT INVERTER FOR EMERGENCY CIRCUIT TO BE LOCATED IN ELECTRICAL ROOM.

INTERIOR CEILING LIGHTING FIXTURE PACKAGE UNLESS OTHERWISE NOTED 7' ELEVEN SHALL PROVIDE THE INTERIOR AND EXTERIOR LIGHTING FIXTURE PACKAGE- FURNISHED BY GRAYBAR (INSTALLED BY G.C.)

LIGHT SWITCHES ALL OCCUPANCY SENSING SWITCHES ARE TO BE MULTI-TECHNOLOGY WALL SWITCH SENSOR, 1200 SQ. FT. MAJOR MOTION COVERAGE, 400 SQ. FT. MINOR MOTION COVERAGE, 800V@120V/AC, 1200V/AC, 1200V/AC, 2700V@277V FL, 1/4HP, 220V MOTOR, 3000 RPM, GRADE - WHITE CALIFORNIA TITLE COMPLIANCE. ALL BE PROVIDED BY GRAYBAR AND INSTALLED BY G.C.

- GENERAL PLAN NOTES
- EMERGENCY EXIT ILLUMINATION SHALL BE SUPPLIED FROM STORAGE BATTERY THAT IS TO PROVIDE 90 MINUTES OF CONTINUED ILLUMINATION IN CASE OF A PRIMARY POWER LOSS.
 - THE BRANCH CIRCUIT FEEDING THE UNIT EQUIPMENT EMERGENCY LIGHT/EXIT SIGN WITSELF-CONTAINED RECHARGEABLE BATTERY SHALL BE THE SAME BRANCH CIRCUIT AS THAT SERVING THE NORMAL LIGHTING IN THE AREA AND CONNECTED AHEAD OF ANY LOCAL SWITCHES OR TIME CLOCKS AS SHOWN ON PLAN.
 - EMERGENCY LUMINAIRES SHALL PROVIDE AN INITIAL AVERAGE ILLUMINATION LEVEL OF AT LEAST 1 FOOT-CANDLE BUT AT ANY POINT IT SHALL NOT BE LESS THAN 0.1 FOOT-CANDLE ALONG THE PATH OF EGRESS AT FLOOR LEVEL.
 - AT THE END OF THE REQUIRED EMERGENCY SOURCE TIME DURATION, THE EMERGENCY LUMINAIRES SHALL PROVIDE AN AVERAGE ILLUMINATION LEVEL OF AT LEAST 0.1 FOOT-CANDLE BUT AT ANY POINT IT SHALL NOT BE LESS THAN 0.06 FOOT-CANDLE ALONG THE PATH OF EGRESS AT FLOOR LEVEL.
 - EMERGENCY ILLUMINATION LEVEL SHALL HAVE A MINIMUM MAXIMUM EMERGENCY ILLUMINATION UNIFORMITY THAT DOES NOT EXCEED 40:1.
 - CONDUIT AND WIRING IN AREAS WHERE EXPOSED SHALL BE ROUTED AT 90 DEGREE ANGLES PERPENDICULAR OR PARALLEL TO JOISTS. COORDINATE PAINTING CONDUIT WITH ARCHITECTURAL FINISHES.



1925 Prospect Ave.
Orlando, FL 32814
P (407) 661-9100
P (407) 661-9101
www.ep.com
Florida Corporate Certificate #AA 008626

4
Cuhaci & Peterson
Architects Engineers Planners

CLIENT NAME
BLACKFIN PARTNERS INVESTMENTS, INC.
4400 PCA BLVD, SUITE 600
PALM BEACH GARDENS, FL 33410

PROJECT NAME
7-ELEVEN #1795 - OCALA, FL
9000 BLOCK OF SE MARICAMP ROAD
OCALA, FL 34470

SHEET TITLE
LIGHTING PLAN

PROFESSIONAL ENGINEER
STATE OF FLORIDA
No 76917
PRADEEP MOHAN
12/8/2020

PROJECT NO.	220085
DATE	12/17/2020
DRAWN BY	JS
CHECKED BY	JS

E2.0