

PLUMBING FIXTURE SCHEDULE								
TAG	FIXTURE	MANUFACTURER	MODEL	CW	HW	WASTE	VENT	DESCRIPTION
WC	WATER CLOSET	AMERICAN STANDARD	MADER 3461 001 (BOWL)	1/2"	—	4"	2"	FIXTURE AND HARDWARE PROVIDED BY FERUSON ENTERPRISES, LLC, ATTN: DEAN ARMBRIST, 2000 485-1888, AND INSTALLED BY PLUMBING CONTRACTOR. 1" FLOOR IN, COLD WATER, AM ST 45931 100 ELONGATED OPEN FRONT SEAT (LESS COVER), 16.5" RM HEIGHT FOR ADA REQUIREMENTS. AM STD BELECTRONIC #8088 111 SENSOR OPERATED (AC POWER) 1.1 GPF FLUSH VALVE.
LAV	LAVATORY	AMERICAN STANDARD	AQUALYN 5415 028	1/2"	1/2"	1-1/4"	1-1/4"	FAUCET PACKAGE PROVIDED BY OWNER (ET-1 #479). FIXTURE AND OTHER HARDWARE PROVIDED AND INSTALLED BY PLUMBING CONTRACTOR. 4" CENTERS WITH CHROME. 1/8" MODEL, EC-3185 1/4" MOTION ACTIVATED FAUCET, B-9199 28 NSD AERATOR (0.5 GPM). FAUCET INCLUDES ACCID CONTROL, MODULIE W/ INTEGRAL FLOW CONTROL SETTING (0.80 GPH), THERMOSTATIC MIXING VALVE SET TO 120°F W/ INTEGRAL CHECK VALVES. 1/8" STAINLESS STEEL FLEXIBLE HOSES. REF ARCH DRAWINGS FOR HIGH RISE INSTALLATIONS.
UR	URINAL	AMERICAN STANDARD	WASH-BROCK 6552 510	3/4"	—	2"	1-1/4"	FIXTURE AND HARDWARE PROVIDED AND INSTALLED BY PLUMBING CONTRACTOR. COLOR WHITE. WITH AM STD BELECTRONIC SENSOR OPERATED (AC POWER) 0.9 GPF FLUSH VALVE WITH (2) 1/2" WALL HANGERS.
MS	MOP SINK	FIAT	MSB 2424	1/2"	1/2"	3"	1-1/2"	FIXTURE AND HARDWARE PROVIDED AND INSTALLED BY PLUMBING CONTRACTOR. NO. 800A FAUCET WITH INTEGRAL VACUUM BREAKER, NO. 802A HOSE AND BRACKET NO. 14538B FLOOR STRAINER AND NO. 88622 MOP HANGER.
S2	HAND SINK	JOHN BOOS	PH-6-W0140-SSLR	1/2"	1/2"	1-1/2"	1-1/2"	FIXTURE AND HARDWARE OWNER FURNISHED, INSTALLED BY PLUMBING CONTRACTOR. ADA COMPLIANT, CUSTOM WALL MOUNT, 10" FRONT TO BACK X 14" W X 10" D HAND SINK (PRODUCTION LINE) PROVIDED WITH BRASS FAUCET SUPPLY PART #S 1146 & P-TRAP, 1/8" TAP, 1/8" TAP, 1/8" TAP, 1/8" TAP, 2 PROTECTIVE PIPE COVERS ON EXPOSED HOT WATER AND DRAIN LINES, STOP VALVES, AND TEMPERATURE ACTUATING MIXING VALVE SET TO 120°F.
S3	3-COMPARTMENT SINK	POWERBOK	PS7768	1/2"	1/2"	3"	2"	WASH ON THE LEFT - VERIFY ON PLANS (WASH-347-X27W021D) RINSE-347X16W041D. SAN-347X16W041D.
S4	HAND SINK	ELKAY	PSR1919	1/2"	1/2"	1-1/2"	1-1/2"	FIXTURE AND HARDWARE OWNER FURNISHED, INSTALLED BY PLUMBING CONTRACTOR. ADA COMPLIANT, STAINLESS STEEL FIXTURE, BRASS FAUCET & P-TRAP, PROVIDED WITH TOP VALVES, FLEXIBLE SUPPLY INLETS, TRUBRID LAV GAUZO, 2 PROTECTIVE PIPE COVERS ON EXPOSED HOT WATER AND DRAIN LINES AND TEMPERATURE ACTUATING MIXING VALVE SET TO 120°F.
S5	PREP SINK	—	—	—	—	—	—	—
FPWH	FREEZE PROOF WALL HYDRANT	JOSAM	71300	3/4"	—	—	—	FIXTURE AND HARDWARE OWNER FURNISHED, INSTALLED BY PLUMBING CONTRACTOR. BOX TYPE, CAST BRONZE, INTEGRAL VACUUM BREAKER BACKFLOW PREVENTER, 1" HANDLE, POLISHED FACE, HINGED LOCKING COVER, BRONZE W/ CASTING, RENEWABLE SEAT, BRONZE OPERATING PARTS, 1" N.P.T. INLET AND 3/4" N.P.T. OUTLET.
HB	HOSE BIB	PREER	C-255NP 50	1/2"	—	—	—	FIXTURE AND HARDWARE PROVIDED AND INSTALLED BY PLUMBING CONTRACTOR. SATIN NICKEL PLATED FINISH, ANTI-SIPHON VACUUM BREAKER PROTECTED WITH LOCK KEY. PROVIDE WITH (1) 25 FOOT HOSE AND SPRAY GUN MOUNT 24" AFF.
GT	GREASE TRAP	SCHER (GREAT BASIN)	GB 250	—	—	4"	—	SEAMLESS MOLDED POLYETHYLENE TANK, 100000 GPM FLOW RATE, 1750 LBS LB GREASE CAPACITY, 225 GALLON GROSS CAPACITY, 1/2" IN FLOW CONNECTION, ANTI-SINK, AIR RELIEF ANTI-SYPHON, FIELD ADJUSTABLE RISER SYSTEM, 4" PLAN INLET/OUTLET, WATERGAS TIGHT SEAL COVER WITH MIN 16,000 LB LOAD CAPACITY. CERTIFIED TO ANSI A13.3 AND ISA 88.1.1.
SW	SAMPLE WELL	SCHER (GREAT BASIN)	SV 24-0	—	—	4"	—	SEAMLESS MOLDED POLYETHYLENE WASTEWATER SAMPLING PORT, 4" INLET/OUTLET W/ SCH-40 PLAIN ENDS (NO HUB), 6" OF FBST CONNECTIONS, WATERGAS-TIGHT SEAL COVER WITH MIN 16,000 LB LOAD CAPACITY.
DF	DRINKING FOUNTAIN	OASIS	PGACSL	1/2"	—	2"	1-1/2"	NON-REFRIGERATED DRINKING FOUNTAIN AND DELIVERS AMBIENT WATER. SHALL INCLUDE FOUR ANTI-MICROBIAL COPPER PUSH-PINS, INSTALLED PER MANUFACTURER'S RECOMMENDATIONS. REFER TO ARCHITECTURAL ELEVATION WORK FOR LOCATING HEIGHTS. SHALL COMPLY WITH ANSI 117.1 AND ADA.

WATER SUPPLY FIXTURE UNITS			
FIXTURE	QTY	INDV. WSFU	COMB. WSFUs
3-COMP SINK (S3)	1	4.0	4.0
HAND/DUMP SINK (S2 & S4)	5	2.0	10.0
DRINKING FOUNTAIN	2	8.0	16.0
MOP SINK (MS)	2	3.0	6.0
BEVERAGE/FILTRATION	12	0.25	3.00
WATER CLOSET (WC, FLUSHOMETER VALVE)	3	10.0	30.0
URINAL (UR)	2	5.0	10.0
LAVATORY (LAV)	6	2.0	12.0
		TOTAL WSFU	75.0
		WSFU CONVERSION (GPM)	61.2
CONTINUOUS USE FIXTURE			
FIXTURE	QTY	INDV. GPM	COMB. GPM
HOSE BIBB (HB, FPWH)	4	5.0	20.0
		SITE PEAK GPM	81.2

PUMP SCHEDULE						
MARK	MANUFACTURER	MODEL	HEAD (FT)	VPH	NOTES	
P1	BELL & GOSSETT	NFP-JULW	11 @ 5.0 GPM	1200	A-D	
NOTES:						
A. LEAD FREE CONSTRUCTION.						
B. PROVIDE WITH FLEXIBLE PLUG-IN COORD.						
C. INSTALL PER MANUFACTURER'S RECOMMENDATIONS.						
D. PROVIDE WITH FLOW AND TEMPERATURE SENSORS FOR ON-DEMAND CIRCULATION CONTROLS PER 2017 IECC C404.7, REF 2P2.5.						

IPC HYDROMECHANICAL GREASE TRAP SIZING						
FIXTURE	QTY	LENGTH (in)	WIDTH (in)	DEPTH (in)	VOLUME (cu. in)	GALLONS
Power Soak Systems (S3) Total	1(3)	19	12	12	8208	106.59
Hand Sink (S2)	3	10	12	6	720	9.35
Dump Sink (S4)	2	11.5	16	7.125	1311	11.4
Mop Sink (MS)	2	23	23	10	5290	45.8
FS (3 GPM) [2.3.4]	7					18.0
Total Gallons						191.14
Reduction Value [5]						
Total Reduced Gallons [5]						209.4
Drain Time (min) [5]						
Flow Through Rating (GPM) [5]						104.7
[1] Per IPC Table 709.1 Drainage Fixture Unit Values						
[2] Per IPC Table 709.2(1) (3" trap = 5 DFU)						
[3] Per IPC section 709.3 (1 GPM = 2 DFU)						
[4] Per IPC section 709.4 Values for Indirect Waste Receptor						
[5] Per IPC section 1003.3.4 & PDI Table 8.3.2						

BACKFLOW PREVENTION SCHEDULE		
EQUIPMENT	BACKFLOW PREVENTION	
HOSE BIB	INTEGRAL VACUUM BREAKER	
MOP SINK	INTEGRAL VACUUM BREAKER	
3-COMP SINK	AIR GAP	
HAND SINK	AIR GAP	
DUMP SINK	AIR GAP	
ICE MAKER	DCV (ASSE 1022)	
CARBONATED BEVERAGE DISPENSER	DCV (ASSE 1022)	
SLURPEE/FROZEN LEMONADE MACHINE	DCV (ASSE 1022)	
COFFEE/BEVERAGE DISPENSERS	DCV (ASSE 1022)	
REFRIGERATION CONDENSATE LINES	AIR GAP	

WATER ROUGH-IN HEIGHT			
MARK	SERVICE	SIZE	HEIGHT (AFF)
WC	COLD WATER	1"	28"
UR	HOT & COLD WATER	1/2"	22"
MS	HOT & COLD WATER	1/2"	36"
S2	HOT & COLD WATER	1/2"	18"
S3	HOT & COLD WATER	1/2"	24"
S4	HOT & COLD WATER	1/2"	18"
HB	COLD WATER	1/2"	24"
UR	COLD WATER	0-0 3/4"	46-3/4"

NOTES:  
A. FIELD VERIFY ROUGH-IN REQUIREMENTS PER MANUFACTURER'S RECOMMENDATIONS.

SPECIALTY PLUMBING FIXTURE SCHEDULE						
TAG	FIXTURE	MANUFACTURER	MODEL	DESCRIPTION	NOTES	
WA	WATER HAMMER ARRESTOR	—	—	1/2" NPT TO 1/2" NPT ASSE 1022. MAX 350 PSI. MAX 1/2" PRESSURE.	A	
TMV	TEMPERATURE MIXING VALVE	WATTS	LFLE100	1/2" NPT, 120°F WITH BUILT-IN CHECK VALVES, BRASS BODY, AND COPPER THERMOSTAT.		
TP	TRAP PRIMER	SIOUX CHEF	656	BRONZE PRIMER VALVE WITH REMOVABLE OPERATING PARTS. INTEGRAL VACUUM BREAKER AND GASKETED ACCESS COVER.		
RPZ	REDUCED PRESSURE BACKFLOW PREVENTER	WATTS	LF990TS	LEAD FREE BRONZE BODY WITH SHUT-OFF VALVES, 3/8" TRAINER, AND TEST COCKS (ASSE 1013).		
DCV	DUAL CHECK BACKFLOW PREVENTER	WATTS	SD3	LEAD FREE STAINLESS STEEL BODY WITH TRAINER AND VENT DISCHARGE PORT (ASSE 1022).		
PRV	PREVENTER LINKING	WATTS	LFN58-M1	LEAD FREE CAST COPPER SILICON ALLOY BODY (ASSE 1020).		
FD	FLOOR DRAIN	SIOUX CHEF	832-36PNC	3" LIGHT DUTY DRAIN WITH P SQUARE TOP, PVC BODY WITH NICKEL BRONZE RING AND STRAINER. PROVIDED WITH 3" DRAIN AND 1-1/2" VENT.		
FS	FLOOR SINK	SIOUX CHEF	861	WHITE PVC 1/2" FLOOR SINK WITH 3/4" HEAVY DUTY PVC HALF GRATE. SEGMENT BUCKET PROVIDED WITH 1/2" DRAIN AND 1-1/2" VENT.		
FCD	FLOOR CLEANOUT	SIOUX CHEF	851	PVC BODY. ROUND HEAVY DUTY CAST IRON TOP, POLYPROPYLENE OR ABS PLUG, ADJUSTABLE TO FINISH SURFACE.	B	
YCO	YARD CLEANOUT	SIOUX CHEF	834	DURANGO-CAST IRON, DOUBLE-FLANGED HOUSING, AND HEAVY DUTY BODIED DUCTILE IRON COVERS.	B	
WCO	WALL CLEANOUT	SIOUX CHEF	873	THREADED COUNTERSINK BRONZE CLEANOUT PLUG PROVIDED DRILLED TAP FOR CENTER SCREW AND STAINLESS STEEL COVER.		
HD	HUB DRAIN	SIOUX CHEF	823	4" HD LARGER MODEL CORING WITH STAINLESS STEEL MESH DEBRIS BASKET.		
ANV	AIR ADMITTANCE VALVE	SIOUX CHEF	696	PVC ABS TURBOVENT ACTUATING DEVICE WITH ACCESS BOX (ASSE 1050 & 1051).		

NOTES:  
A. SIZE MANUFACTURER'S RECOMMENDATION.  
B. CLEANOUT SHALL BE SAME SIZE AS PIPE BEING SERVED.  
C. THIS SCHEDULE IS COMPREHENSIVE. ALL MARKS MAY OR MAY NOT BE USED ON PLANS.

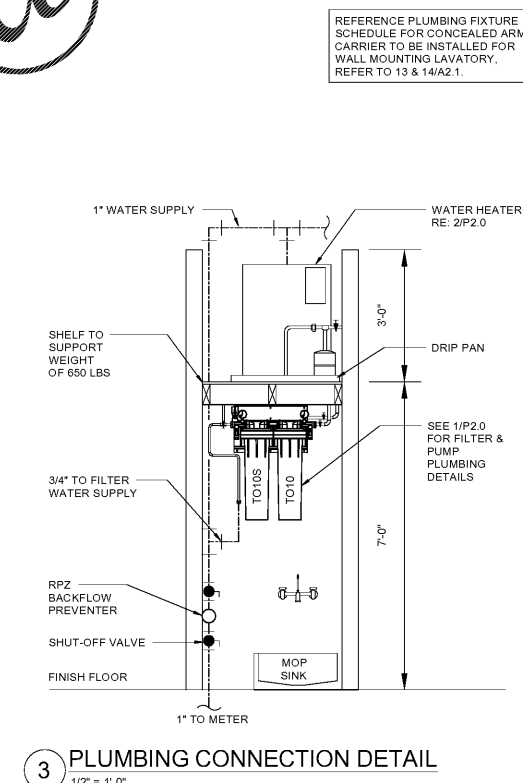
### PLUMBING NOTES

- NOTES APPLY TO ALL PLUMBING SHEETS.
- EACH CONTRACTOR IS RESPONSIBLE FOR HAVING THOROUGH KNOWLEDGE OF ALL DRAWINGS AND SPECIFICATIONS AS THEY RELATE TO THIS WORK. NO ADDITIONAL COMPENSATION SHALL BE ALLOWED DUE TO LACK OF THIS KNOWLEDGE.
- PROVIDE ALL MATERIALS FOR A COMPLETE INSTALLATION IN ALL RESPECTS READY FOR INTENDED USE AND IN STRICT ACCORDANCE WITH STATE AND LOCAL CODES AND MANUFACTURER'S RECOMMENDATIONS.
- COORDINATE SEWER AND WATER CONNECTIONS WITH CIVIL AND A/HJ. PROVIDE PRESSURE REDUCING VALVE AND BACKFLOW PREVENTER AS SHOWN. REQUIRED BY A/HJ. VERIFY INVERT AND SLOPE OF INCOMING SANITARY SEWER BEFORE TIE-IN.
- REFER TO RISER DIAGRAMS AND PLUMBING FIXTURE SCHEDULE FOR ALL PIPING AND FITTINGS NOT SHOWN ON PLAN.
- SANITARY AND SEWER PIPE SIZES SHOWN IS BASED ON 1/4" PER FOOT FALL FOR ALL PIPE SMALLER THAN 3" DIAMETER AND 1/8" PER FOOT FALL FOR PIPE 3" DIAMETER AND LARGER.
- ALL WATER PIPING BELOW SLAB TO BE 2" DIAMETER MINIMUM.
- PROVIDE ACCESS DOORS TO ALL CONCEALED VALVES AND CLEAN-OUTS, AND NOT ABOVE AN ACCESSIBLE CEILING.
- PROVIDE TRAP SEAL PRIMERS AND 1/2" COPPER TUBING CONNECTION TO ALL FLOOR DRAINS AS SHOWN OR AS REQUIRED BY A/HJ. CONTRACTOR SHALL VERIFY REQUIREMENTS.
- INSTALL VTR'S, EXHAUST FANS, AND FLUES A MINIMUM 5'-0" FROM PARAPET OR OUTSIDE WALL AND 10'-0" MINIMUM FROM EQUIPMENT WITH OUTSIDE AIR INTAKE.
- INSTALL WATER PIPE ON INSIDE OF EXTERIOR WALL INSULATION TO PREVENT FREEZING.
- WHEN DEEP FROST LOCATIONS ARE ENCOUNTERED, ROUTE SANITARY LINES UNDER BUILDING AS MUCH AS POSSIBLE.
- PROVIDE PVC SLEEVE FOR ALL COLD/HOT WATER FLOOR PIPE PENETRATIONS. MAKE SLEEVE LARGE ENOUGH FOR INSULATION, SEAL WITH GRAY MASTIC AND ENSURE OF NO WATER PENETRATIONS.
- PROVIDE AND INSTALL WATTS 8A VACUUM BREAKER ON ANY THREADED EXTERIOR OR INTERIOR FAUCETS.
- ALL WATER SHUT-OFF VALVES SHALL BE "BALL LOCK" TYPE. PROVIDE SHUT-OFF VALVES AT EACH TERMINATION POINT OF ASSOCIATED EQUIPMENT.
- PROVIDE SEISMIC BRACING BASED ON APPROPRIATE SEISMIC ZONE REQUIREMENTS PER LOCAL AND NATIONAL CODES. CONTRACTOR'S RESPONSIBILITY INCLUDES STRUCTURAL ENGINEER'S CERTIFICATION ON DETAILS SUBMITTED FOR PERMITTING.

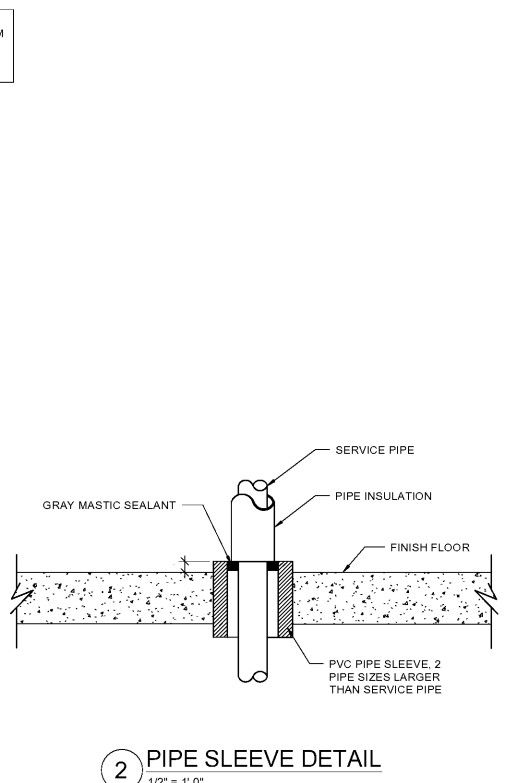
PLUMBING SYMBOLS	
—SS—	SANITARY SEWER
—GW—	GREASE WASTE
—GI—	GREASE INTERCEPTOR
----	DOMESTIC COLD WATER
----	DOMESTIC HOT WATER
----	DOMESTIC HOT WATER RETURN
----FW----	FILTERED WATER
—G—	NATURAL GAS
—CD—	CONDENSATE DRAIN
----	PLUMBING VENT
— —	UNION
—C—	ELBOW - TURNED DOWN
—O—	ELBOW - TURNED UP
—T—	TEE - TURNED DOWN
—T—	TEE - TURNED UP
— —	BALL VALVE
— —	SHUT-OFF VALVE IN VERTICAL LINE
—Z—	BACKFLOW PREVENTER
—FD—	FLOOR DRAIN
—FS—	FLOOR SINK
—FCO—	FLOOR CLEANOUT
—YCO—	YARD CLEANOUT
—FPWH—	FREEZE PROOF WALL HYDRANT
—HB—	HOSE BIBB
—WCO—	WALL CLEANOUT
—GR—	GAS PRESSURE REGULATOR
— —	GAS COCK

# Order Plans

TANKLESS HOT WATER REQUIREMENTS			
FIXTURE/FAUCETS	QTY	GPM	COMBINE
LAV (LAVATORY)	6	0.5	3.0
S2 (HAND SINK)	3	2.0	0
S3 (POWER SOAK SYSTEM)	1	2	2
S4 (DUMP SINK)	2	1.5	3.0
S5 (PREP SINK)	2	2.0	0
MS (MOP SINK)	2	4.0	0
TOTAL GPM			18.0
GPM W/ DIVERSITY FACTOR (1.5)			10.80
DISCHARGE TEMPERATURE (°F)			120
INLET WATER TEMPERATURE (°F)			74
TEMPERATURE RISE (°F)			46
TANKLESS FLOW RATE AT RISE (GPM)			7.8
TANKLESS HEATERS REQUIRED			2



3 PLUMBING CONNECTION DETAIL  
1/2" = 1'-0"



2 PIPE SLEEVE DETAIL  
1/2" = 1'-0"

**Cuhaci & Peterson**  
Architects Engineers Planners

1925 Prospect Ave.  
Orlando, FL 32814  
P (407) 661-9100  
P (407) 661-9101  
www.cp.com  
Florida Corporate Certificate #AA 008626

---

CLIENT NAME  
**BLACKFIN PARTNERS INVESTMENTS, INC.**  
4400 PCA BLVD, SUITE 600  
PALM BEACH GARDENS, FL 33410

PROJECT NAME  
**7-ELEVEN #1795 - OCALA, FL**  
9000 BLOCK OF SE MARICAMP ROAD  
OCALA, FL 34470

SHEET TITLE  
**PLUMBING SCHEDULES, NOTES, AND SYMBOLS**

---

PROJECT NO. 220085  
DATE 12/17/2020  
DRAWN FD  
CHECKED JD

P0.1

