

**EXHAUST FAN INFORMATION - JOB#4613860**

FAN UNIT NO	TAG	QTY	FAN UNIT MODEL #	MANUFACTURER	CFM	ESP	RPM	MOTOR ENCL	HP	BHP	Ø	VOLT	FLA	DISCHARGE VELOCITY	WEIGHT (LBS)	SONES
1		1	DUBSHFA	CAPTIVEAIRE	1100	1.300	1278	TEAD-ECM	0.750	0.3920	1	230	5.0	348 FPM	88	14

**CONDENSER DETAILS**

FAN UNIT NO	TAG	FAN UNIT MODEL #	CONDENSER NO	TONNAGE	VOLTAGE	PHASE	FREQUENCY	MCA	RLA	MAX FUSE SIZE	MIN WIRE SIZE	SEER
2		A1-15D-MPU	1	2	208-230	1 PHASE	60 HZ	14.1 AMPS	11.4 AMPS	20 AMPS	12 AWG	14
			2	3	208-230	1 PHASE	60 HZ	18.1 AMPS	14.7 AMPS	30 AMPS	10 AWG	14

**MUA FAN INFORMATION - JOB#4613860**

FAN UNIT NO	TAG	QTY	FAN UNIT MODEL #	BLOWER	HOUSING	MIN CFM	DESIGN CFM	ESP	RPM	MOTOR ENCL	HP	BHP	Ø	VOLT	FLA	MCA	MDCP	COOLING COIL ENTERING DB TEMP	COOLING COIL ENTERING WB TEMP	COOLING COIL LEAVING DB TEMP	COOLING COIL LEAVING WB TEMP	COOLING COIL TOTAL CAPACITY	COOLING COIL SENSIBLE CAPACITY	COOLING COIL LATENT CAPACITY	WEIGHT (LBS)	SONES
2		1	A1-15D-MPU	15MF-1-MDD	A1	0	1000	0.500	1513	TEAD-ECM	1.000	0.4850	1	230	6.5	8.7A	15A	92.0°F	75.0°F	61.3°F	56.8°F	60.0 MBH	32.3 MBH	27.7 MBH	1072	17

**FAN OPTIONS**

FAN UNIT NO	TAG	QTY	DESCRIPTION
1		1	GREASE BOX.
			ECM WIRING PACKAGE - MANUAL OR 0-10VDC REFERENCE SPEED CONTROL (TELCO MOTOR), CCW ROTATION.
2		1	INSULATED BLOWER SECTION SIZE 1-2 COMMERCIAL.
			5 TON 2 CIRCUIT (2/3) MODULAR PACKAGED AC COOLING OPTION FOR SIZE 1 MUA (750 TO 1350 CFM), 208V/230V, 1 PHASE. COOLING THERMSTAT OR PROGRAMMABLE STAT REQUIRED FOR PROPER OPERATION.
			MDD PACKAGE UNIT AC CONTROLS FOR UNTEMPERED FANS.
			CONDENSER SUPPORT FOR SIZE 1 MDD PACKAGE UNIT.
			SIZE 1 MPU-AC MOISTURE ELIMINATOR OPTION - ALLOWS COOLING COIL FACE VELOCITY TO INCREASE TO 650 FPM. INCREASES COOLING COIL MAX CFM TO 1450 CFM.
1	1	ECM WIRING PACKAGE - DD SUPPLY - MANUAL OR 0-10VDC REFERENCE SPEED CONTROL (TELCO MOTOR).	

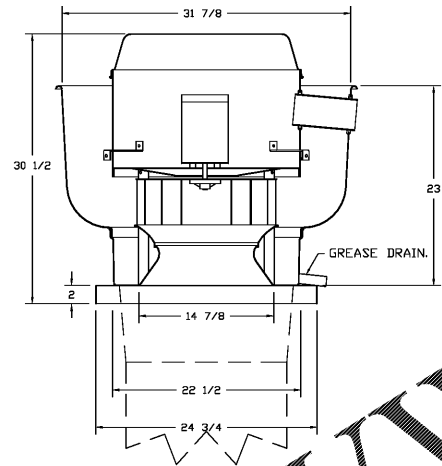
**FAN ACCESSORIES**

FAN UNIT NO	TAG	EXHAUST				SUPPLY		
		GREASE CUP	GRAVITY DAMPER	WALL MOUNT	SIDE DISCHARGE	GRAVITY DAMPER	MOTORIZED DAMPER	WALL MOUNT
1		YES						

**CURB ASSEMBLIES**

NO	DN FAN	WEIGHT	ITEM	SIZE
1	# 1	36 LBS	CURB	23.000"W X 23.000"L X 20.000"H VENTED HINGED.
2	# 2	63 LBS	CURB	21.000"W X 113.000"L X 20.000"H INSULATED.

FAN #1 DUBSHFA - EXHAUST FAN



**FEATURES:**

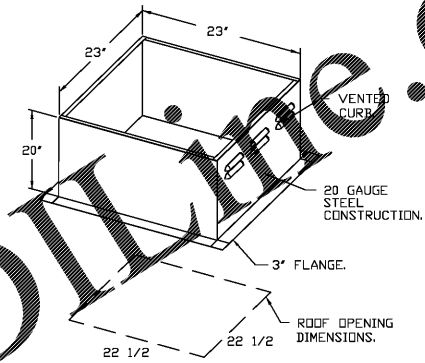
- DIRECT DRIVE CONSTRUCTION (NO BELTS/PULLEYS).
- ROOF MOUNTED FANS.
- RESTAURANT MODEL.
- UL705 AND UL762 AND ULC-S645
- VARIABLE SPEED CONTROL.
- INTERNAL WIRING.
- THERMAL OVERLOAD PROTECTION (SINGLE PHASE).
- HIGH HEAT OPERATION 300°F (149°C).
- GREASE CLASSIFICATION TESTING.
- NEMA 3R SAFETY DISCONNECT SWITCH.

**NORMAL TEMPERATURE TEST**  
EXHAUST FAN MUST OPERATE CONTINUOUSLY WHILE EXHAUSTING AIR AT 300°F (149°C) UNTIL ALL FAN PARTS HAVE REACHED THERMAL EQUILIBRIUM, AND WITHOUT ANY DETERIORATING EFFECTS TO THE FAN WHICH WOULD CAUSE UNSAFE OPERATION.

**ABNORMAL WAKE-UP TEST**  
EXHAUST FAN MUST OPERATE CONTINUOUSLY WHILE EXHAUSTING BURNING GREASE VAPORS AT 300°F (149°C) FOR A PERIOD OF 15 MINUTES WITHOUT THE FAN BECOMING DAMAGED OR ANY EXTENSION THAT COULD CAUSE AN UNSAFE SITUATION.

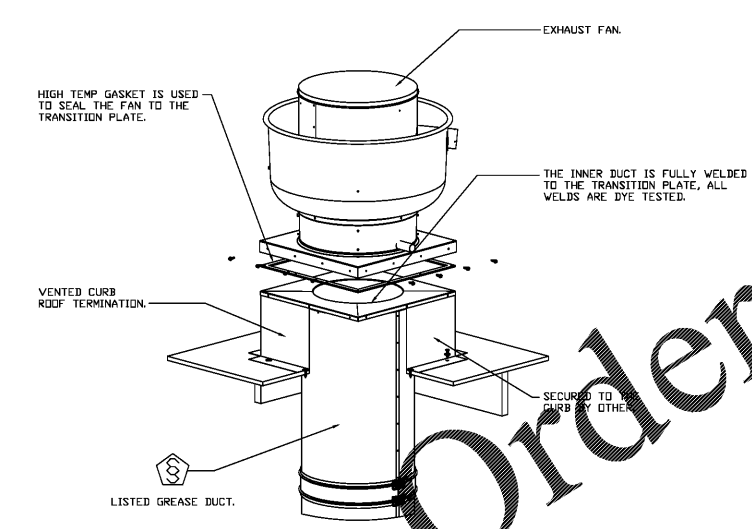
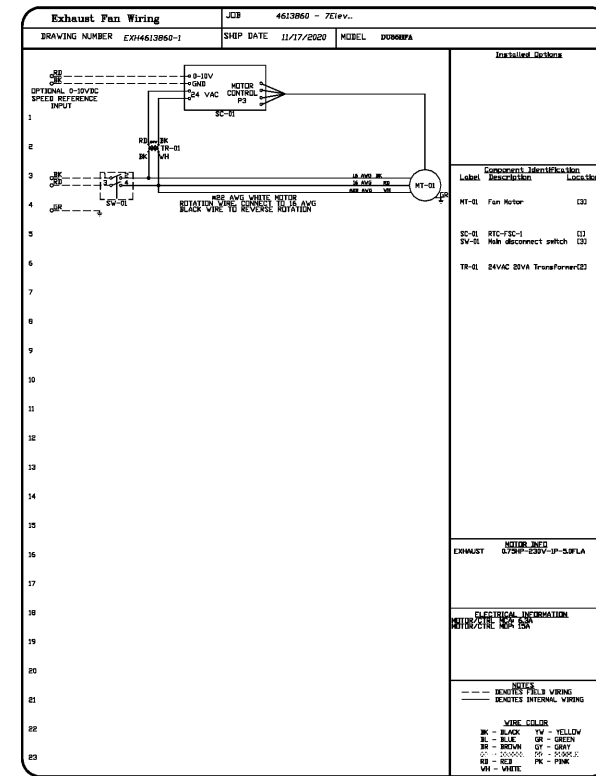
**OPTIONS**

GREASE BOX.  
ECM WIRING PACKAGE - MANUAL OR 0-10VDC REFERENCE SPEED CONTROL (TELCO MOTOR), CCW ROTATION.



PITCHED CURBS ARE AVAILABLE FOR PITCHED ROOFS.

SPECIFY PITCH:  
EXAMPLE: 7/12 PITCH = 30° SLOPE.



Order Plans @ WWW.ALDIEME.COM

**REVISIONS**

NO.	DESCRIPTION	DATE

**CAPTIVE**

Seattle Office  
1309 Pacific Ave. Everett, WA 98201 PHONE: (425) 212-5898 FAX: (425) 212-5898 EMAIL: reg@captivewire.com

7Eleven #41795 Ocala FL  
MARICAMP RD & CEDAR RADIAL,  
Ocala, FL, 34475

DATE: 12/11/2020  
DWG.#: 4651405  
DRAWN BY: A\_CASH B5  
SCALE: 3/4" = 1'-0"  
MASTER DRAWING

SHEET NO. 3

1925 Prospect Ave.  
Orlando, FL 32814  
P (407) 661-9100  
P (407) 661-9101  
www.ep.com  
Florida Corporate Certificate #AA 000626

**Blackfin Partners Investments, Inc.**  
4400 PCA Blvd, Suite 600  
Palm Beach Gardens, FL 33410

**Jose J. Diaz-Velazquez**  
Professional Engineer  
No. 75474  
State of Florida

**KITCHEN EXHAUST SUBMITTALS**

PROJECT NO. 2200355  
DATE 12/17/2020  
DRAWN FD  
CHECKED JD

M3.2