

**FIRE SYSTEM INFORMATION - JOB#4613860**

FIRE SYSTEM NO	TAG	TYPE	SIZE	FLOW POINTS	INSTALLATION	
					SYSTEM	LOCATION ON HOOD
1		ANSUL R102	3.0	8	FIRE CABINET LEFT	LEFT, HOOD 1

**FIRE SYSTEM PARTS LIST KEY**

FIRE SYSTEM NO	TAG	KEY NUMBER - PART DESCRIPTION	QTY BY FACTORY	QTY BY DIST
		0 - 0 - TANK STRAP TANK STRAP - USED FOR ANSUL TANKS.	1	0
		0 - 0 - UCTANKBRACKET TANK BRACKET FOR FIRE SYSTEM TANK INSTALLATION IN UTILITY CABINETS.	1	0
		1 - 1 - AT - 3.0 TANK(#1B) - 3.0 GALLON SS TANK (FOR USE WITH AUTOMAN RELEASE, ACTUATOR, OR SS ENCLOSURE (UL/ULC) MACOLA # 01-429862.	1	0
		3 - 3 - ANS-DEM REGULATED RELEASE - ANSUL REGULATED MECHANICAL RELEASE/BRACKET ASSEMBLY, DEM, R-102, CARTRIDGE DETECTION INCLUDED, ANSUL PART # 79493.	1	0
		5 - 5 - LIQ-3.0 AGENT - ANSULEX LOW PH WET CHEMICAL AGENT, 3 GALLON (UL) 79372.	0	1
		7 - 7 - 101-20 CARTRIDGE - CARBON DIOXIDE 101-20, 3 GALLON CARTRIDGE (R-102).	0	1
		10 - 10 - TLINK LINK - TEST LINK (1 TEST LINK) ANSUL PART # 24916, MACOLA # 20-24916.	0	1
1		11 - 11 - MICRO-SDA MICROSWITCH KIT - INCLUDES 2 SWITCHES AND MOUNTING HARDWARE, SINGLE DUAL ELECTRIC SWITCH, ONE STANDARD SWITCH, ONE ALARM DUTY SWITCH ANSUL PART # 437155, MACOLA # 08-437155.	1	0
		27 - 27 - QPSA-1/2 PULLEY SEAL - 1/2" HOOD SEAL (UL) ANSUL PART # 423253, MACOLA # 32-79768.	1	0
		34 - 34 - RPS-A REMOTE PULL STATION - RED COMPOSITE (WITHOUT WIRE ROPE) 434618 (OLD MACOLA #06-4835).	1	0
		35 - 35 - PE-LT PULLEY ELBOW - LOW TEMP. PULLEY ELBOW, SET SCREW TYPE ANSUL PART # 415670, MACOLA # 11-415671.	2	0
		36 - 36 - PE-HT PULLEY ELBOW - HIGH TEMP PULLEY ELBOW, COMPRESSION TYPE, ANSUL PART # 423251, MACOLA # 10-45771.	1	0

**NOTES**

- FIELD PIPE DROPS AS SHOWN
- SLEEVING, ELBOWS, TEES, AND NOZZLES SUPPLIED BY CAS.
- RELOCATE NOZZLES IF FLOW PATTERN IS BLOCKED BY SHELVING, SALAMANDERS, ETC.
- MAXIMUM 9 ELBOWS IN SUPPLY LINE.
- MINIMUM 72 INCHES OF AGENT LINE FROM TANK TO FIRST NOZZLE COVERING A RANGE, FRYER, OR WOK TO REFLECT GENERAL PIPING REQUIREMENTS.
- IF APPLICABLE, PRE-PIPED CHARBROILER DROPS ARE SHIPPED LOOSE.
- FACTORY PIPING EXTENDS A MAXIMUM OF 6' ABOVE THE TOP OF THE HOOD.
- APPLIANCE DIMENSIONS LISTED REPRESENT THE COOKING SURFACE SIZE, NOT THE OVERALL APPLIANCE SIZE.

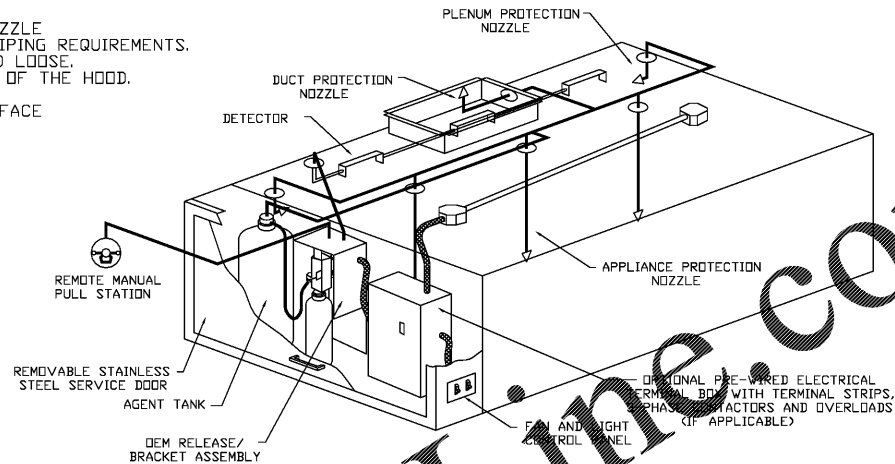
**SPECIFICATIONS**

THE RESTAURANT FIRE SUPPRESSION SYSTEM SHALL BE THE PRE-ENGINEERED TYPE WITH A FIXED NOZZLE AGENT DISTRIBUTION NETWORK. IT SHALL BE LISTED WITH UNDERWRITERS LABORATORIES, INC. (UL)

THE SYSTEM SHALL BE CAPABLE OF AUTOMATIC DETECTION AND ACTUATION WITH LOCAL OR REMOTE MANUAL ACTUATION. ACCESSORIES SHALL BE AVAILABLE FOR MECHANICAL OR ELECTRICAL GAS LINE SHUT-OFF APPLICATIONS.

THE EXTINGUISHING AGENT SHALL BE A POTASSIUM CARBONATE, POTASSIUM ACETATE-BASED FORMULATION DESIGNED FOR FLAME KNOCKDOWN AND SECUREMENT OF GREASE RELATED FIRES. IT SHALL BE AVAILABLE IN PLASTIC CONTAINERS WITH INSTRUCTIONS FOR LIQUID AGENT HANDLING AND USAGE.

THE REGULATED RELEASE MECHANISM SHALL BE COMPATIBLE WITH A FUSIBLE LINK DETECTION SYSTEM. THE FUSIBLE LINK SHALL BE SELECTED AND INSTALLED ACCORDING TO THE OPERATING TEMPERATURE IN THE VENTILATING SYSTEM. THE FUSIBLE LINK SHALL BE SUPPORTED BY A DETECTOR BRACKET/LINKAGE ASSEMBLY.



TYPICAL ANSUL R-102 SYSTEM LAYOUT

**NOTES**

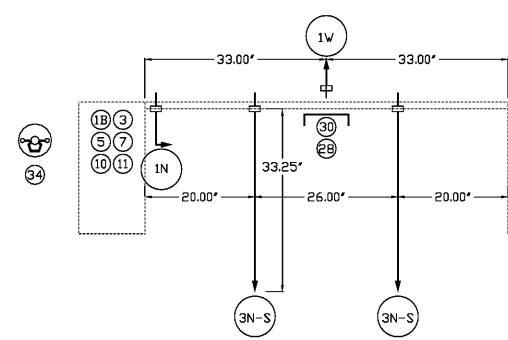
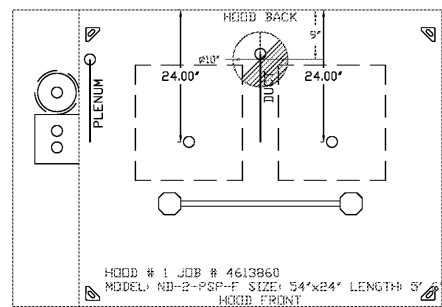
- FIELD PIPE DROPS AS SHOWN
- SLEEVING, ELBOWS, TEES, AND NOZZLES SUPPLIED BY CAS.
- RELOCATE NOZZLES IF FLOW PATTERN IS BLOCKED BY SHELVING, SALAMANDERS, ETC.
- MAXIMUM 9 ELBOWS IN SUPPLY LINE.
- MINIMUM 72 INCHES OF AGENT LINE FROM TANK TO FIRST NOZZLE COVERING A RANGE, FRYER, OR WOK TO REFLECT GENERAL PIPING REQUIREMENTS.
- IF APPLICABLE, PRE-PIPED CHARBROILER DROPS ARE SHIPPED LOOSE.
- FACTORY PIPING EXTENDS A MAXIMUM OF 6' ABOVE THE TOP OF THE HOOD.
- APPLIANCE DIMENSIONS LISTED REPRESENT THE COOKING SURFACE SIZE, NOT THE OVERALL APPLIANCE SIZE.
- THIS FIRE SYSTEM COMPLIES WITH U.L. 300 REQUIREMENTS.

JOB #: 4613860.  
JOB NAME: 7ELEVEN #41828 OCALA FL.

SYSTEM SIZE: ANSUL-3.0 TOTAL FP REQUIRED: 8.  
HOOD # 1 5' 6.00" LONG x 54" WIDE x 24" HIGH.  
RISER # 1 SIZE: 10" DIA.  
HOOD # 1 METAL BLOW-OFF CAPS INCLUDED.

**LEGEND - FIRE CABINET ANSUL SYSTEM**

- 1A 1.5 GALLON TANK.
- 1B 3 GALLON TANK.
- 2 DEM AUTOMAN RELEASE.
- 3 DEM REGULATED RELEASE.
- 4 DEM REGULATED ACTUATOR.
- 5 ANSULEX LIQUID AGENT (3 GAL.).
- 6 ANSULEX LIQUID AGENT (1.5 GAL.).
- 7 CARTRIDGE (101-20).
- 8 CARTRIDGE (101-10).
- 9 CARTRIDGE (101-30).
- 9A CARTRIDGE (101-30).
- 9B DOUBLE TANK CARTRIDGE.
- 10 TEST LINK.
- 11 MICRO-SDA SWITCH.
- 12 HOSE ASSEMBLY.
- 1100 DUCT NOZZLE (430943).
- 2W DUCT NOZZLE (419337).
- 1W NOZZLE ASSEMBLY (419336).
- 1F NOZZLE ASSEMBLY (419333).
- NOZZLE ASSEMBLY (419335).
- 172N NOZZLE ASSEMBLY (419334).
- 3N NOZZLE ASSEMBLY (419338).
- 2A NOZZLE ASSEMBLY (419340).
- 230 NOZZLE ASSEMBLY (419339).
- 2120 NOZZLE ASSEMBLY (419343).
- 290 NOZZLE ASSEMBLY (419342).
- 260 NOZZLE ASSEMBLY (419341).
- 28 DETECTOR BRACKET.
- 29 LOW TEMP FUSIBLE LINK.
- 30 HIGH TEMP FUSIBLE LINK.
- MGV MECHANICAL GAS VALVE.
- EGV ELECTRICAL GAS VALVE.
- 34 REMOTE MANUAL PULL STATION.
- S SWIVEL ADAPTOR.

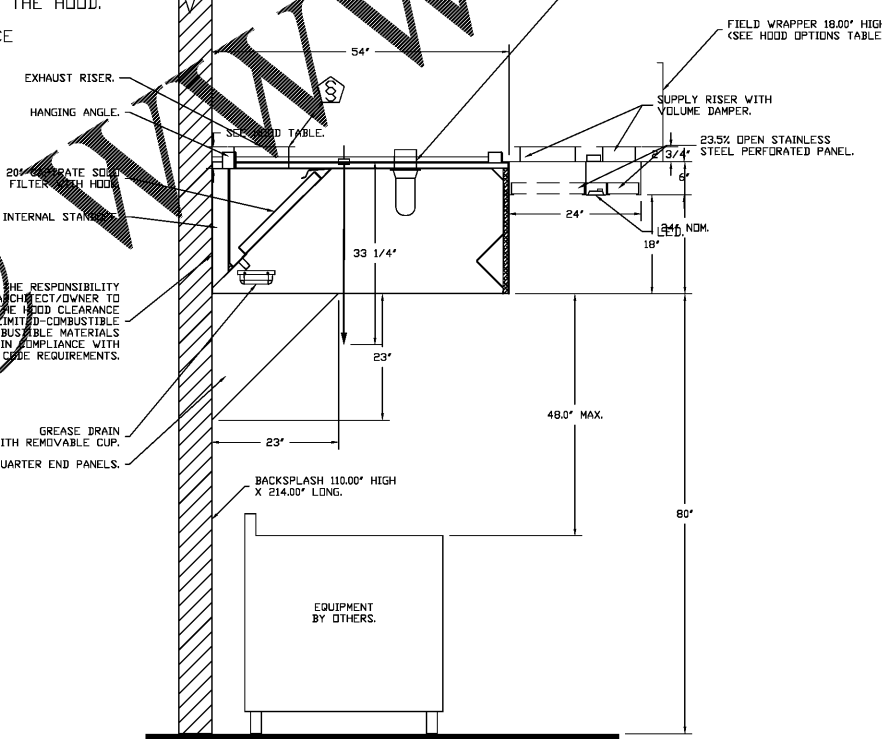


FRYER-M W/DRIP BOARD  
HIGH PROXIMITY  
19.50\"/>

FRYER-M W/DRIP BOARD  
HIGH PROXIMITY  
19.50\"/>

Order Plans @ WWW.LDILINE.COM

IT IS THE RESPONSIBILITY OF THE ARCHITECT/OWNER TO ASSURE THAT THE HOOD CLEARANCE IS MAINTAINED AND COMBUSTIBLE MATERIALS IS IN COMPLIANCE WITH LOCAL CODE REQUIREMENTS.



SECTION VIEW - MODEL 5424ND-2-ACPSP-F HOOD - #1

DUCT NOZZLE AND PLENUM SPRAY BAR LOCATION

REVISIONS	
DESCRIPTION	DATE

1309 Pacific Ave, Everett, WA, 98201 PHONE: (425) 212-5966 FAX: (425) 212-5968 EMAIL: reg@captiveware.com  
www.captiveware.com

CAPTIVE

Seattle Office

7Eleven #41795 Ocala FL  
MARICAMP RD & CEDAR RADIAL,  
Ocala, FL, 34475

DATE: 12/11/2020  
DWG.#: 4651405  
DRAWN BY: A\_CASH 85  
SCALE: 3/4" = 1'-0"  
MASTER DRAWING

PROJECT NO. 2200355  
DATE 12/17/2020  
DRAWN FD  
CHECKED JJD

SHEET NO. 2

1925 Prospect Ave.  
Orlando, FL 32814  
P (407) 661-9100  
P (407) 661-9101  
www.cp.com  
Florida Corporate Certificate #AA 0006526

---

CLIENT NAME  
**BLACKFIN PARTNERS INVESTMENTS, INC.**  
4400 PCA BLVD, SUITE 600  
PALM BEACH GARDENS, FL 33410

PROJECT NAME  
**7-ELEVEN #41795 - OCALA, FL**  
9000 BLOCK OF SE MARICAMP ROAD  
OCALA, FL 34470

SHEET TITLE  
**KITCHEN EXHAUST SUBMITTALS**

M3.1