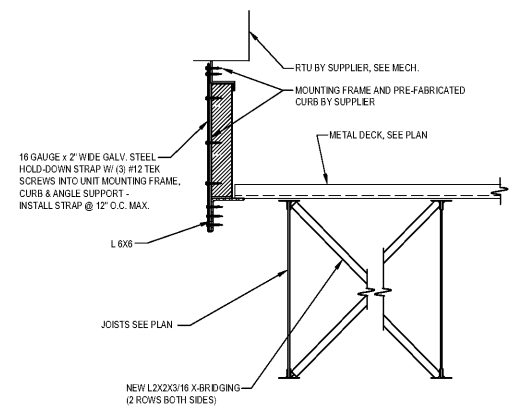


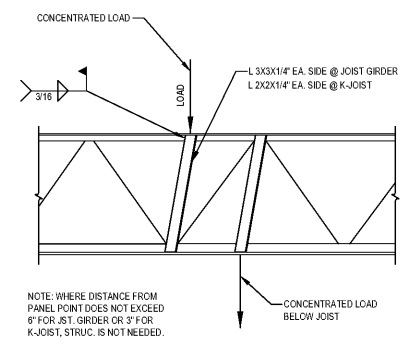
TYP. ROOF OPENING
HVAC EQUIP. SUPPORT FMG.

DETAIL 1
S401
N.T.S.



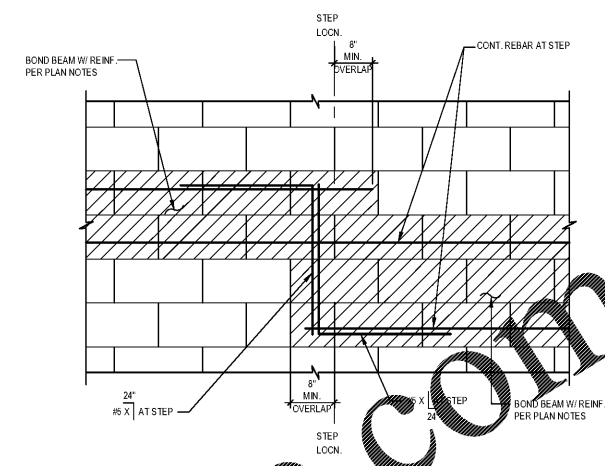
TYP. RTU HOLDDOWN

DETAIL 2
S401
N.T.S.



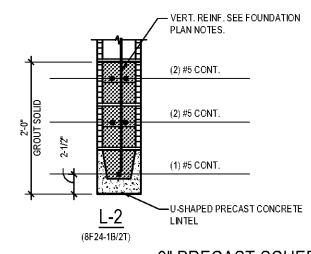
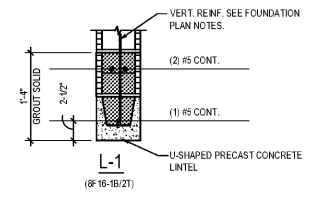
CONCENTRATED LOAD
SUPPORT DETAIL

DETAIL 3
S401
N.T.S.

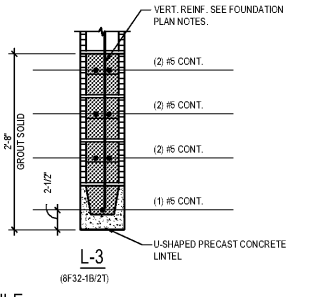


BOND BEAM STEP DETAIL

DETAIL 4
S401

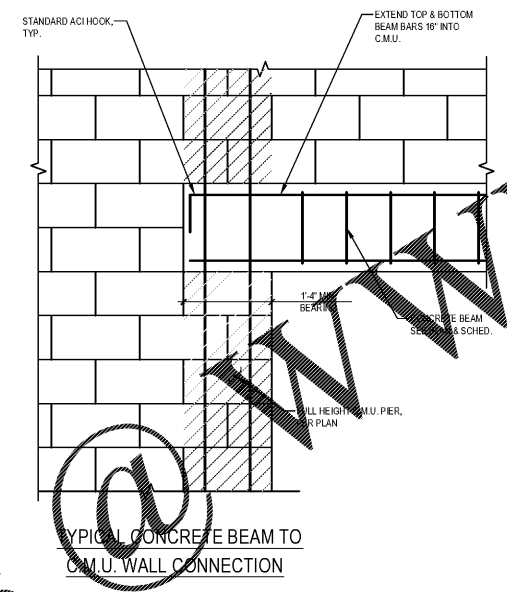


- NOTES:
1. 8" PRECAST LINTELS BY CASTCRETE CORPORATION OR APPROVED EQUAL.
 2. SHORE PRECAST LINTEL PER MANUFACTURER RECOMMENDATIONS.
 3. SEE THE ARCHITECTURAL DRAWINGS FOR SIZE AND LOCATION OF ALL OPENINGS.
 4. PROVIDE 4" MINIMUM BEARING EACH END.
 5. EXTEND REINF. 16" MIN. BEYOND OPENING EA. END, TYP.

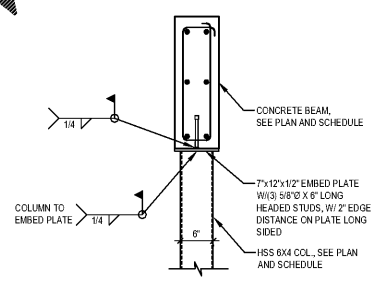


8" PRECAST SCHEDULE

DETAIL 5
S401
N.T.S.



DETAIL 6
S401
3/4" = 1'-0"



DETAIL 7
S401
3/4" = 1'-0"

Order Plans

1925 Prospect Av.
Orlando, FL 32814
P (407) 661-9100
P (407) 661-9101
www.ep.com
Florida Corporate Certificate #AA 000626

Ep
Cuhaci & Peterson
Architects Engineers Planners

CLIENT NAME
BLACKFIN PARTNERS INVESTMENTS, INC.
4440 PCA BLVD, SUITE 600
PALM BEACH GARDENS, FL 33410

PROJECT NAME
7-ELEVEN #1795 - OCALA, FL
9000 BLOCK OF SE MARICAMP ROAD
OCALA, FL 34470

SHEET TITLE
DETAILS

JUAN B. CANO, P.E.
FLORIDA LICENSE NO. 69377

PROJECT NO.	2200355
DATE	12/17/2020
DRAWN	REE
CHECKED	JSC

HIGGENBOTHAM
Structural Engineers
3222 Centre Drive, Suite F
Orlando, Florida 32833
Phone: 407 286 1787
Fax: 407 286 2281
FLORIDA, CA, NO. 28950

S401