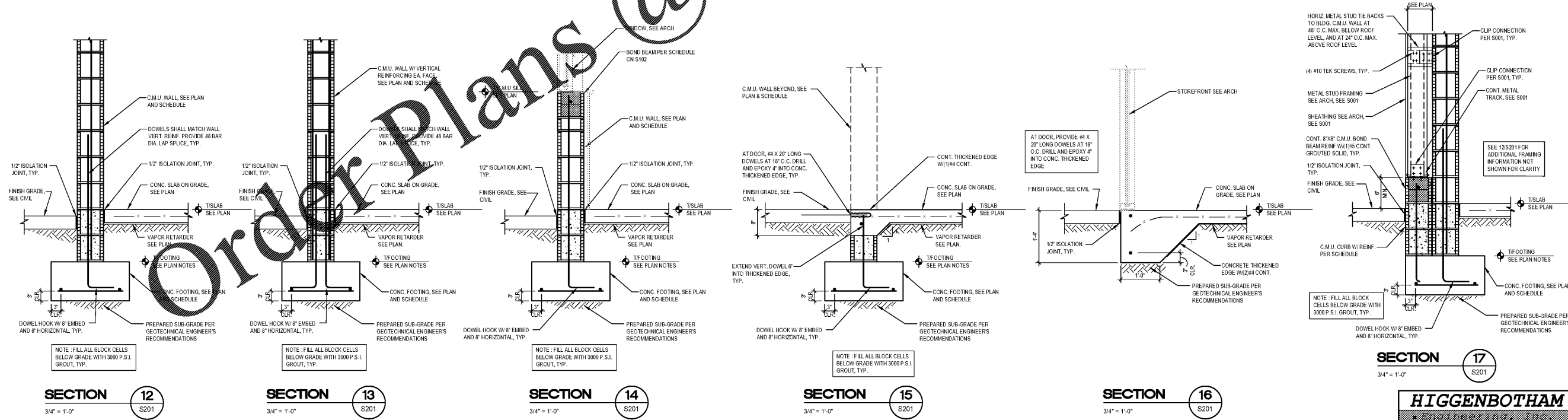
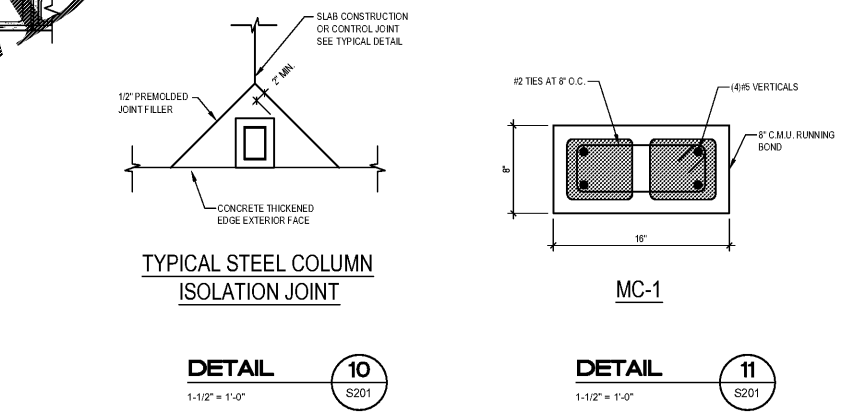
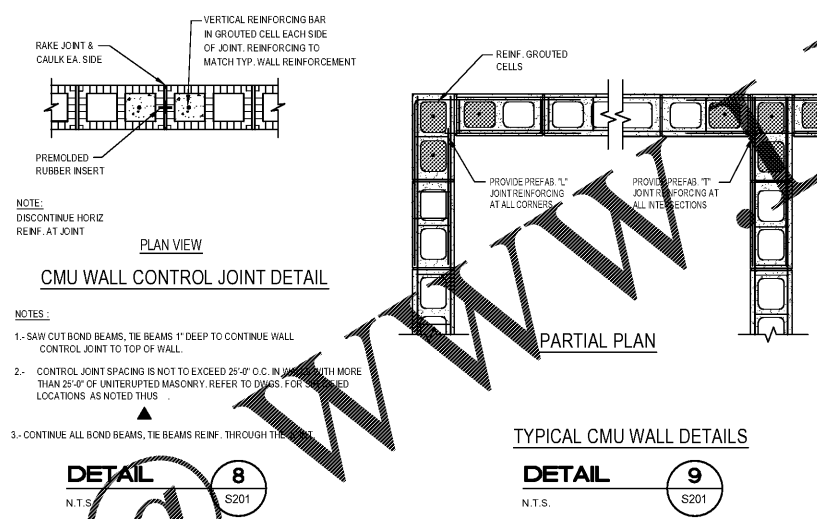
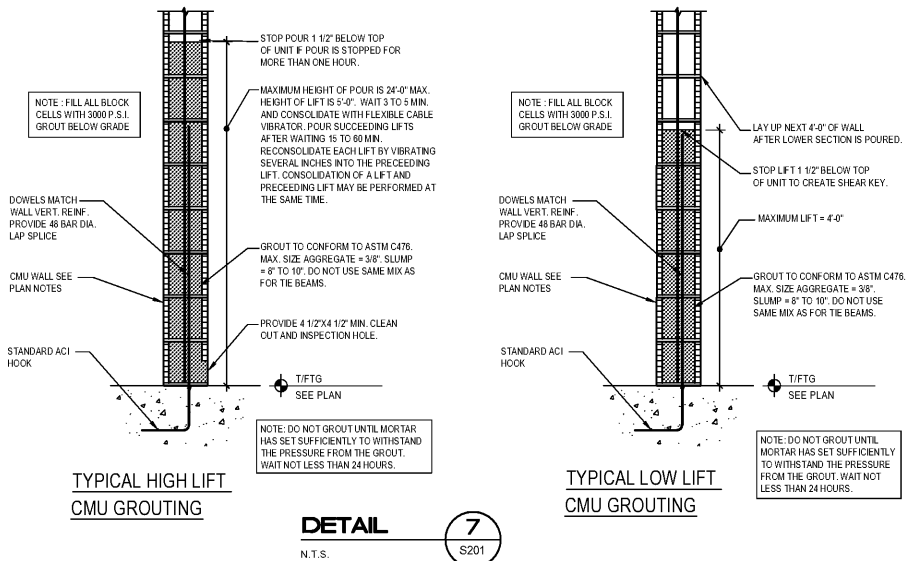


NOTE: THE CONTRACTOR MAY ELECT TO PLACE GROUT IN 8'-0" LIFTS PROVIDING THAT THE SLUMP OF THE GROUT IS BETWEEN 10" AND 11" WHILE THE MINIMUM COMPRESSIVE STRENGTH OF THE GROUT IS MAINTAINED AT 3000 PSI AND THERE ARE NO INTERMEDIATE REINFORCED BOND BEAMS PLACED BETWEEN THE TOP AND BOTTOM OF THE POUR. INSPECTION HOLES SHALL BE AT 4'-0" O.C. CONTRACTOR SHALL BRACE WALL AS REQUIRED DURING GROUTING PROCEDURES.



HIGGENBOTHAM
Structural Engineers
3222 Centre Drive, Suite F
Orlando, Florida 32803
Phone: 407 286 1787
Fax: 407 286 2281
FLORIDA C.A. NO. 26850

1925 Prospect Ave.
Orlando, FL 32814
P (407) 661-9100
P (407) 661-9101
www.ep.com
Florida Corporate Certificate #AA 006826

Cuhaci & Peterson
Architects Engineers Planners

CLIENT NAME
BLACKFIN PARTNERS INVESTMENTS, INC.
4440 PCA BLVD, SUITE 600
PALM BEACH GARDENS, FL 33410

PROJECT NAME
7-ELEVEN #1795 - OCALA, FL
9000 BLOCK OF SE MARICAMP ROAD
OCALA, FL 34470

JUAN B. CANO, P.E.
FLORIDA LICENSE NO. 69377

| | |
|-------------|------------|
| PROJECT NO. | 2200355 |
| DATE | 12/17/2020 |
| DRAWN | REE |
| CHECKED | ASC |

| | |
|---------|--|
| RELEASE | |
| DATE | |
| BY | |
| REASON | |

S201