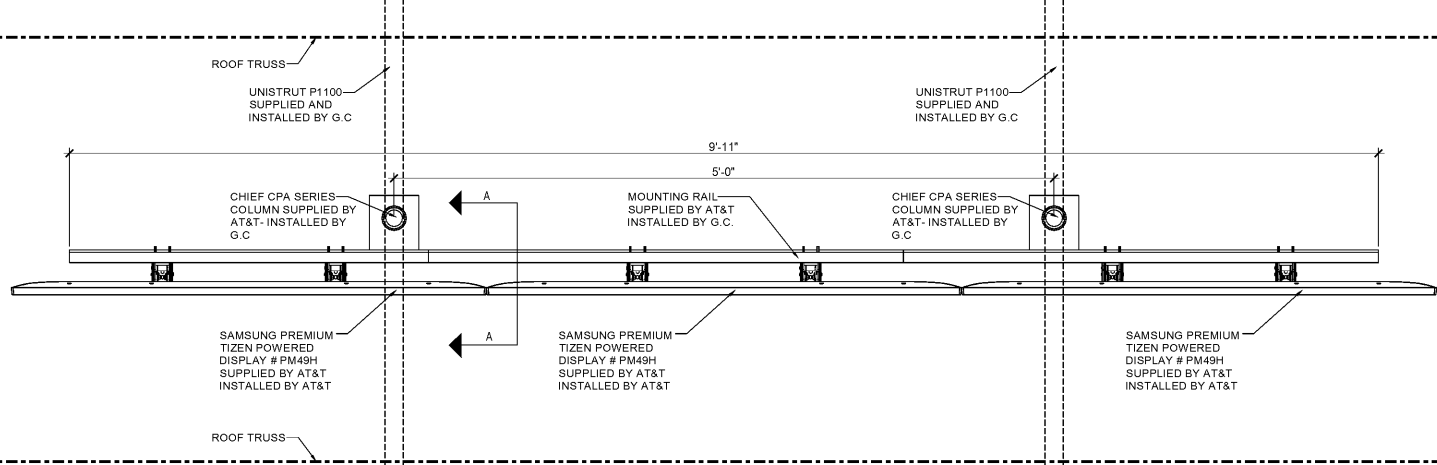
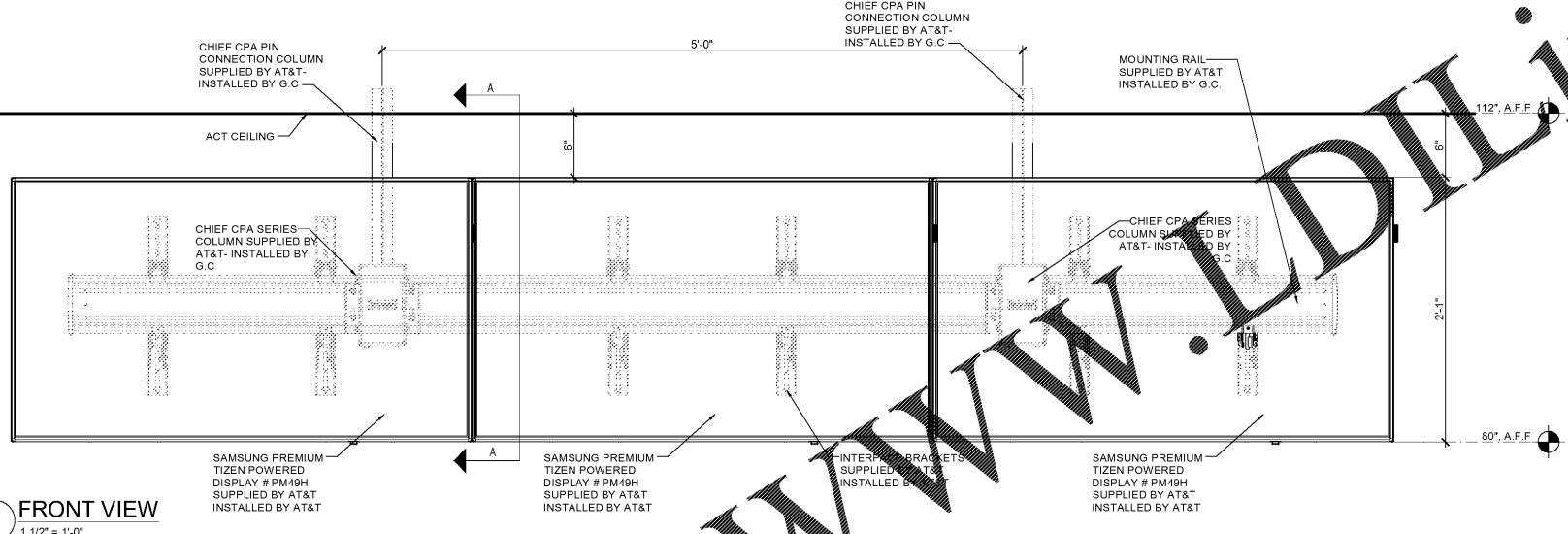


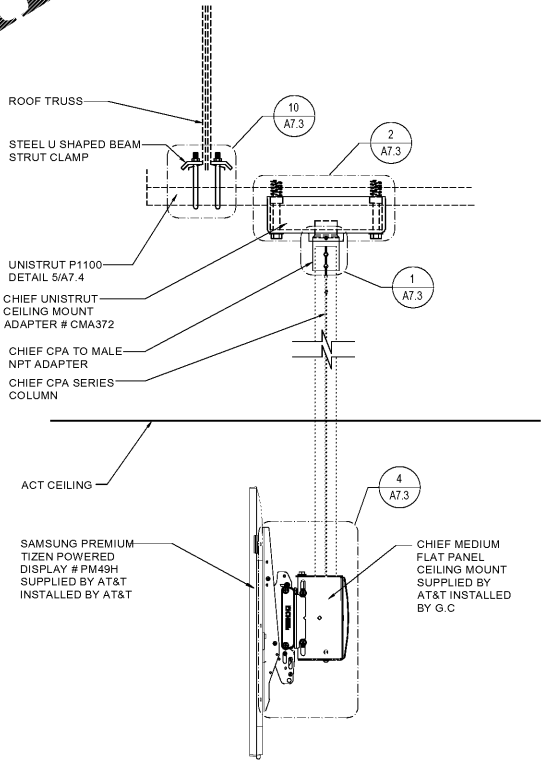
11 PLAN VIEW
1 1/2" = 1'-0"



10 TRUSS AND UNISTRUT CONNECTION DETAIL
N.T.S.



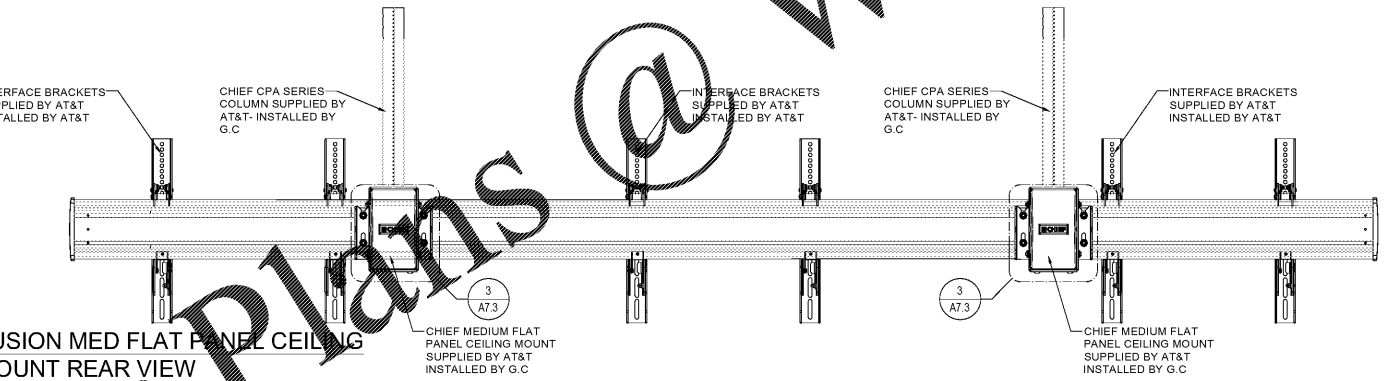
9 FRONT VIEW
1 1/2" = 1'-0"



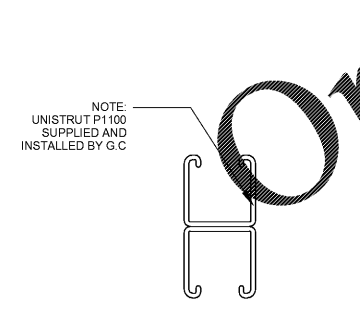
6 SECTION AA
1 1/2" = 1'-0"

8 PIN CONNECTION COLUMN
3/8" = 1'-0"

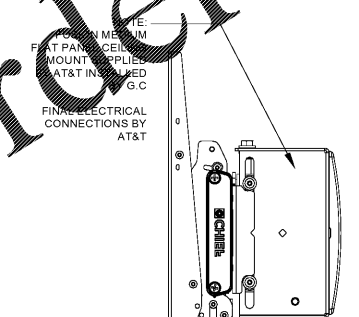
7 FUSION MED FLAT PANEL CEILING MOUNT REAR VIEW
1 1/2" = 1'-0"



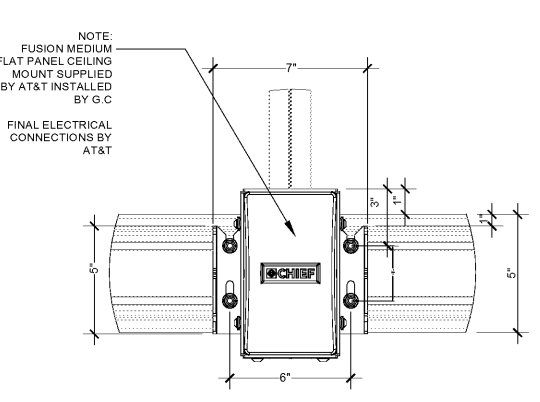
7 FUSION MED FLAT PANEL CEILING MOUNT REAR VIEW
1 1/2" = 1'-0"



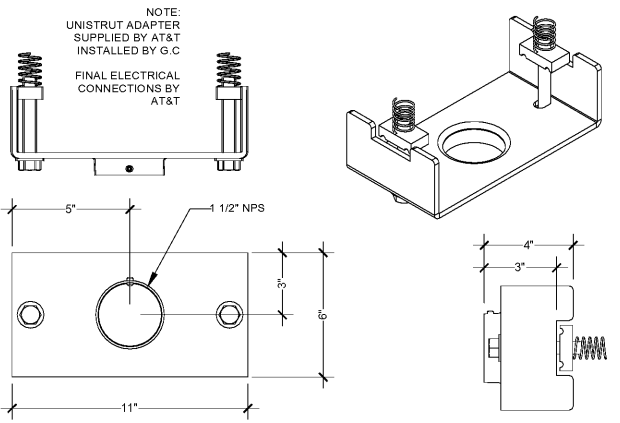
5 UNISTRUT # P1100
6" = 1'-0"



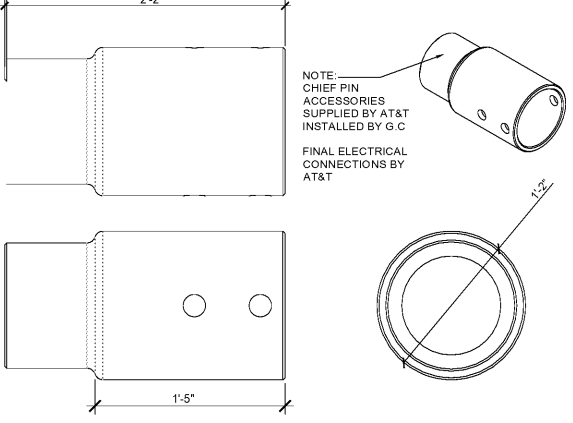
4 SIDE ELEVATION
3" = 1'-0"



3 PNL CEILING MOUNT REAR ELEVATION
7" = 1'-0"



2 UNISTRUT ADAPTED DETAIL
5" = 1'-0"



1 ADAPTOR DETAIL
1'-5" = 1'-0"

Order Plans @

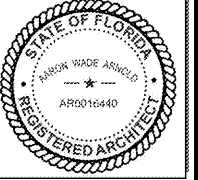
WWW.IDIline.com

1925 Prospect Ave.
Orlando, FL 32814
P (407) 661-9100
P (407) 661-9101
www.cp.com
Florida Corporate Certificate #AA 0000526

4
Chiaci & Peterson
Architects Engineers Planners

CLIENT NAME
BLACKFIN PARTNERS INVESTMENTS, INC.
4440 PCA BLVD, SUITE 600
PALM BEACH GARDENS, FL 33410

PROJECT NAME
7-ELEVEN #11795 - OCALA, FL
9000 BLOCK OF SE MARICAMP ROAD
OCALA, FL 34470



RELEASE	
PROJECT NO.	2200355
DATE	12/17/2020
DRAWN	ZNR
CHECKED	PETERLOE

PROJECT NO. 2200355
DATE 12/17/2020
DRAWN ZNR
CHECKED PETERLOE

A7.3