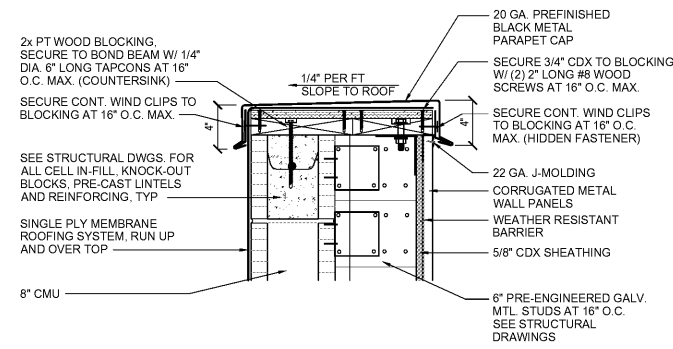
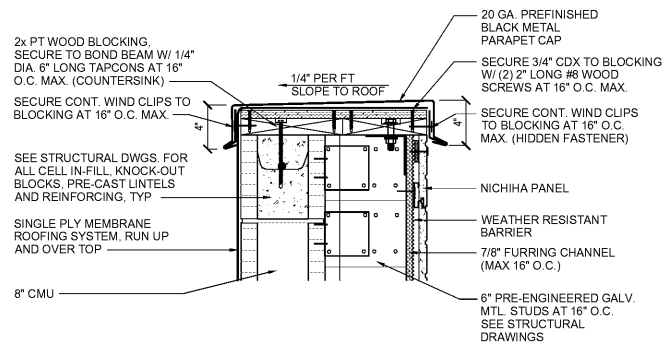


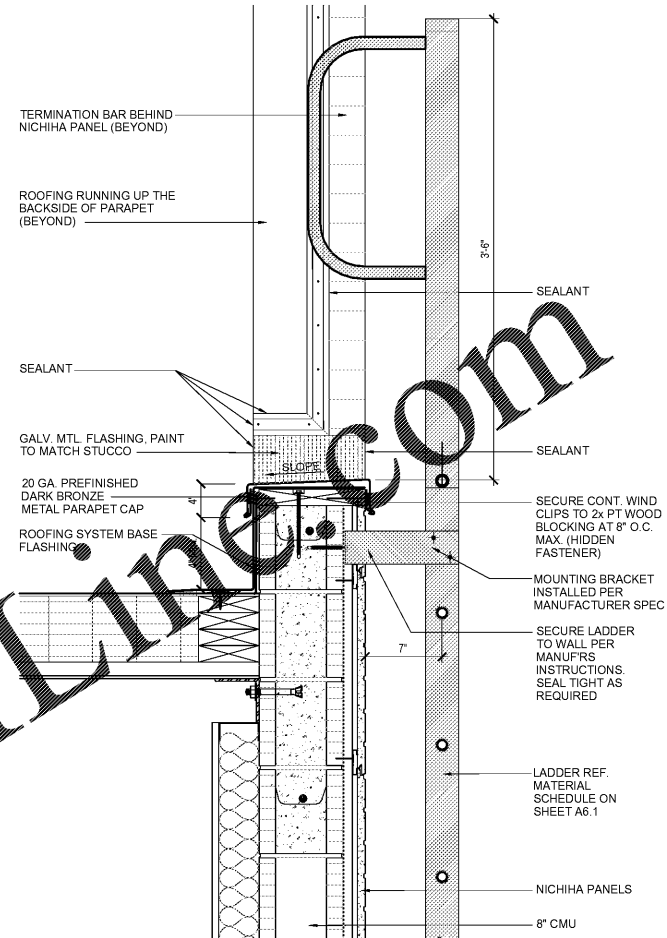
11 DETAIL - MOUNTING OPTION @ SIDEWALK
1 1/2" = 1'-0"



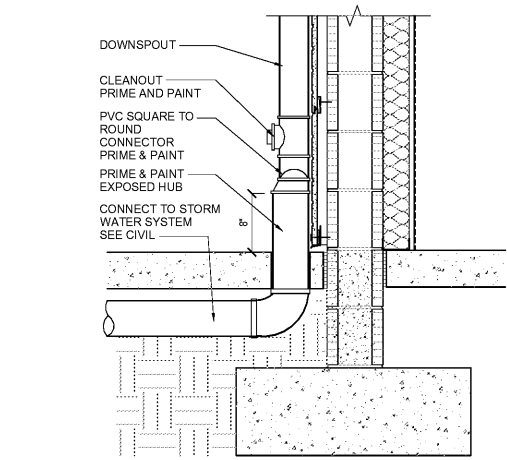
10 PARAPET CAP DETAIL
1 1/2" = 1'-0"



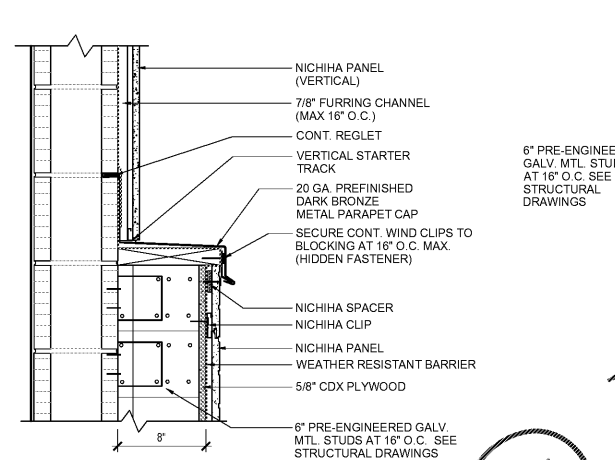
9 PARAPET CAP DETAIL
1 1/2" = 1'-0"



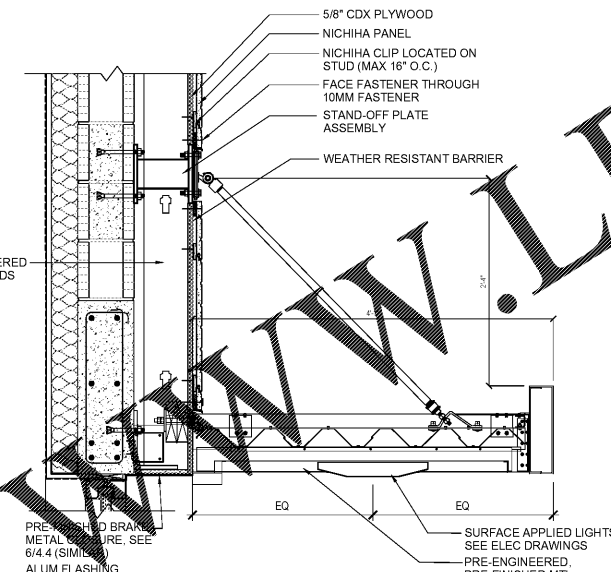
5 LADDER DETAIL
1 1/2" = 1'-0"



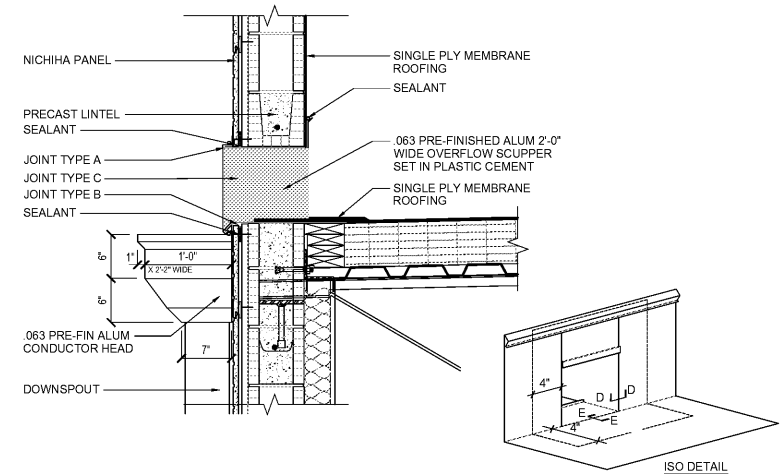
8 DETAIL SQUARE TO ROUND CONNECTOR
1" = 1'0"



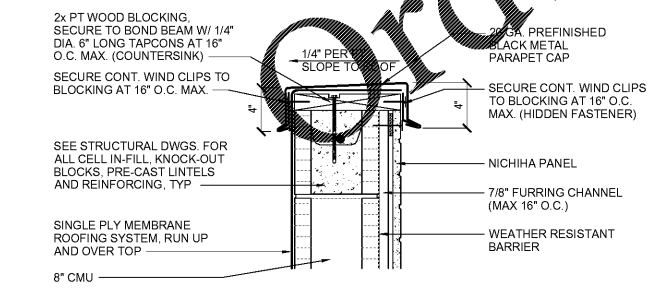
7 WALL DETAIL
1 1/2" = 1'-0"



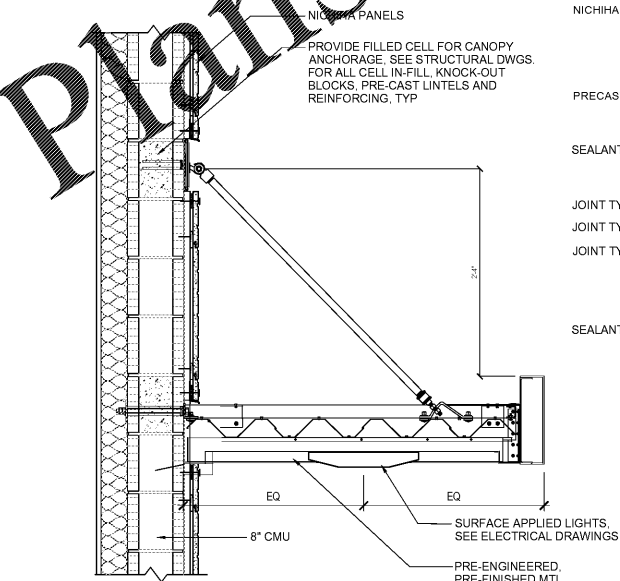
6 DETAIL @ CANOPY
1" = 1'0"



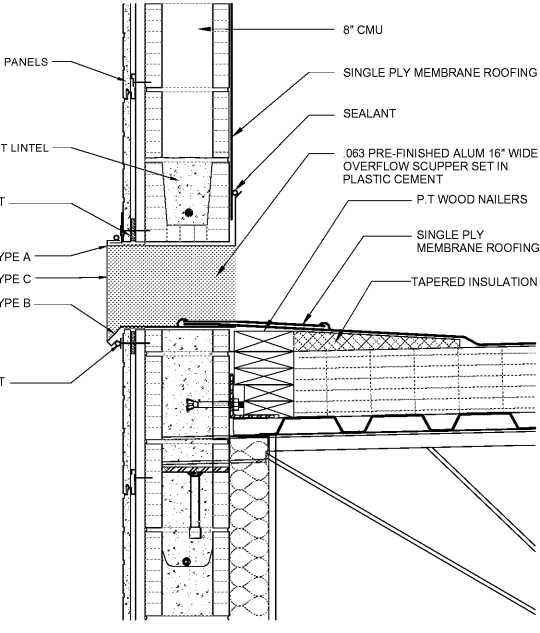
1 SCUPPER DETAIL
1" = 1'0"



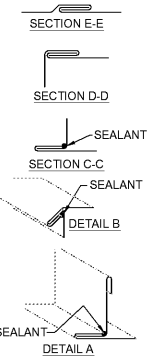
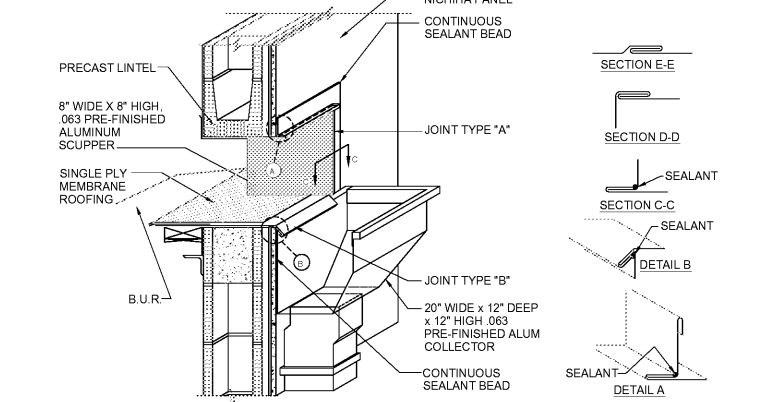
4 PARAPET CAP DETAIL (TYP)
1 1/2" = 1'-0"



3 DETAIL @ CANOPY
1" = 1'0"



2 OVERFLOW SCUPPER DETAIL
1 1/2" = 1'-0"



Order Plans @

WWW.LDILINE.COM

1925 Prospect Ave.
Orlando, FL 32814
P (407) 661-9100
P (407) 661-9101
www.ep.com
Florida Corporate Certificate #AA 008626

Ep
Enhaci & Peterson
Architects Engineers Planners

CLIENT NAME
BLACKFIN PARTNERS INVESTMENTS, INC.
4400 PCA BLVD, SUITE 600
PALM BEACH GARDENS, FL 33410

PROJECT NAME
7-ELEVEN #1795 - OCALA, FL
9000 BLOCK OF SE MARICAMP ROAD
OCALA, FL 34470



RELEASE	PROJECT NO.	DATE	DRAWN	CHECKED
	220085	12/17/2020	XXX	Peter Orr

DATE	12/17/2020
DRAWN	XXX
CHECKED	Peter Orr

A7.1