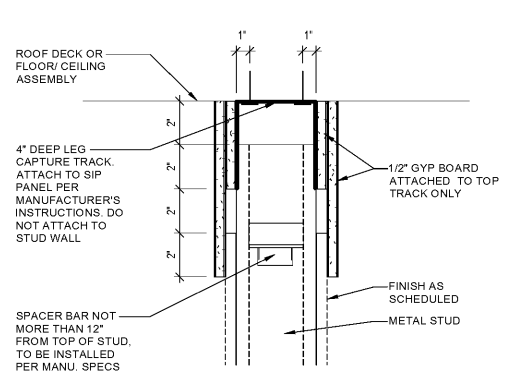
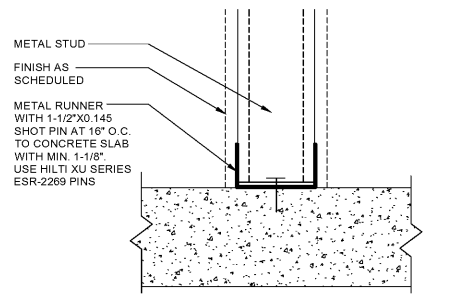


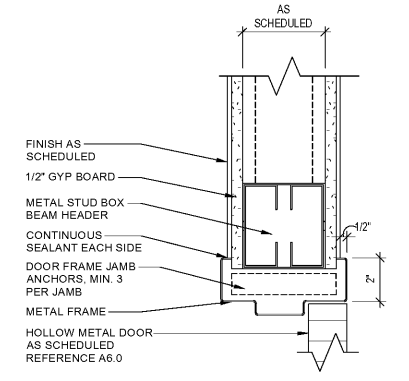
15 DETAIL - WATER HEATER/MOP SINK
3/4" = 1'-0"



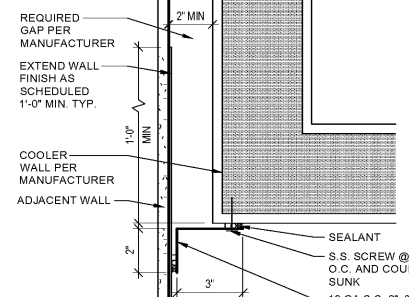
17 DETAIL - STUD SLIP JOINT
3" = 1'-0"



14 DETAIL - BASE STUD CONNECTION
3" = 1'-0"

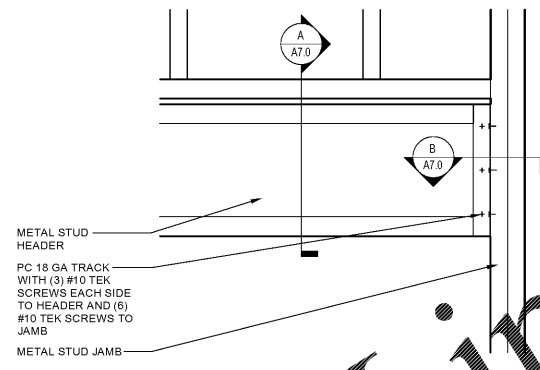


16 DETAIL - INTERIOR DOOR JAMB / HEAD
3" = 1'-0"

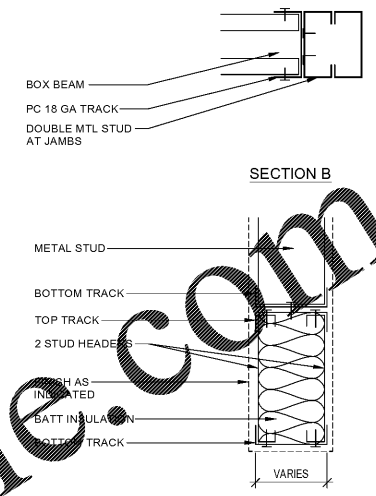


13 DETAIL - CLOSURE STRIP @ COOLER
3" = 1'-0"

HEADER LENGTH	HEADER MEMBERS	MINIMUM EFFECTIVE PROPERTIES PER STUD	
2' TO 6'	(2) 6" x 18 GAUGE	Ix = 2.042	Sx = 0.670
6' TO 8'	(2) 6" x 16 GAUGE	Ix = 2.518	Sx = 0.839
8' TO 10'	(2) 6" x 14 GAUGE	Ix = 3.094	Sx = 1.031
10' TO 12'	(2) 8" x 18 GAUGE	Ix = 4.134	Sx = 1.033
12' TO 14'	(2) 8" x 16 GAUGE	Ix = 5.110	Sx = 1.277
14' TO 16'	(2) 8" x 14 GAUGE	Ix = 6.303	Sx = 1.576
16' TO 18'	(2) 10" x 14 GAUGE	Ix = 12.325	Sx = 2.456
18' TO 28'	(2) 12" x 16 GAUGE	Ix = 15.730	Sx = 2.334

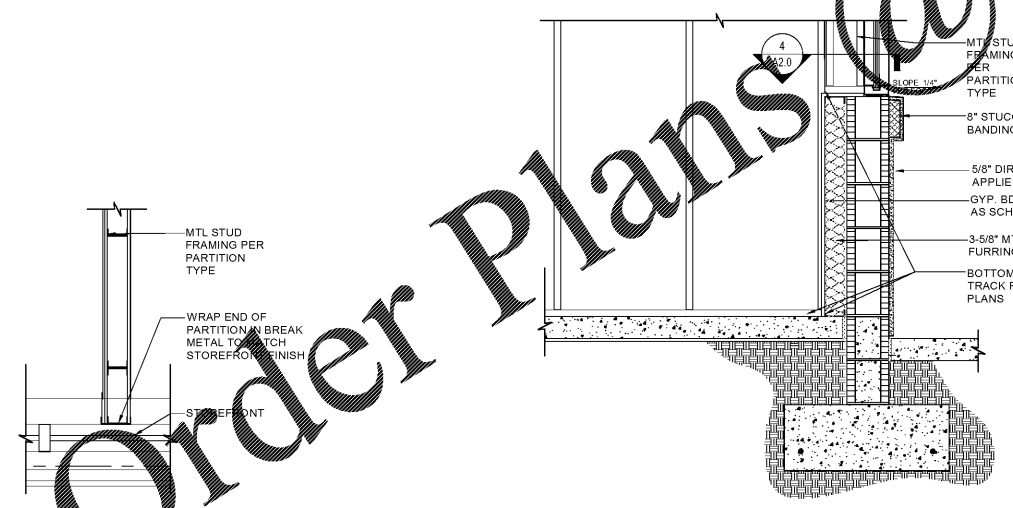


12 DETAIL - HEADER
1 1/2" = 1'-0"

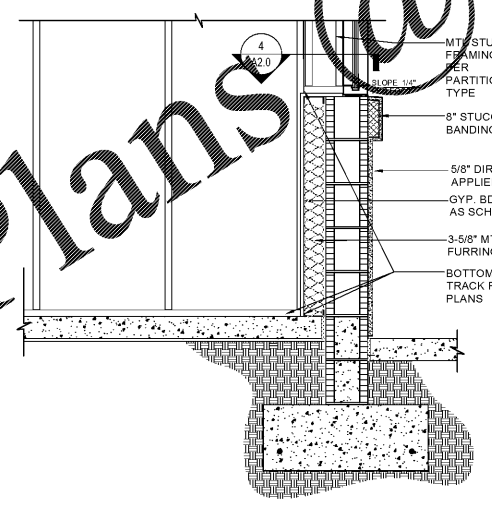


5 SECURITY CAMERA MOUNTING
N.T.S.

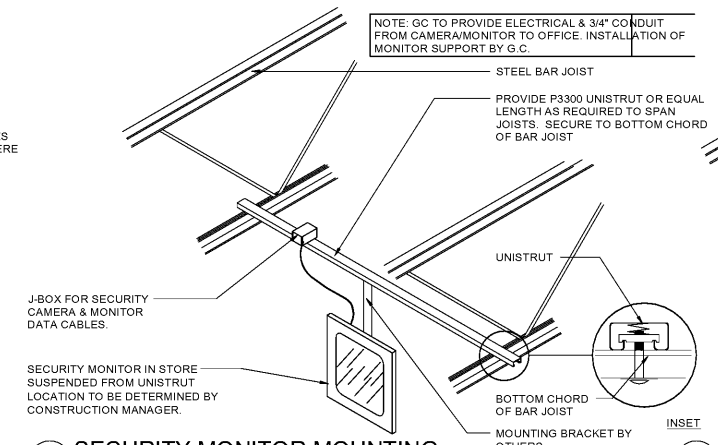
4 NOT USED



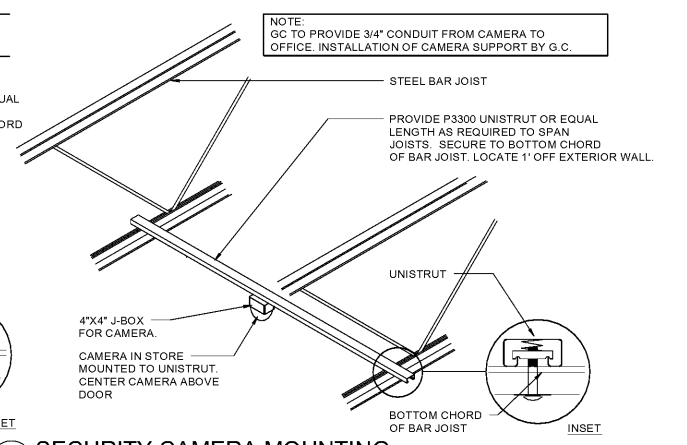
2 FRAMING PLAN VIEW
3/4" = 1'-0"



3 FRAMING ELEVATION VIEW
3/4" = 1'-0"



7 SECURITY MONITOR MOUNTING
N.T.S.



6 SECURITY CAMERA MOUNTING
N.T.S.

Order Plans @ www.LDILine.com

www.LDILine.com

1925 Prospect Ave.
Orlando, FL 32814
P (407) 661-9100
P (407) 661-9101
www.ep.com
Florida Corporate Certificate #AA 008626

Architects Engineers Planners

CLIENT NAME
BLACKFIN PARTNERS INVESTMENTS, INC.
4400 PCA BLVD, SUITE 600
PALM BEACH GARDENS, FL 33410

PROJECT NAME
7-ELEVEN #1795 - OCALA, FL
9000 BLOCK OF SE MARICAMP ROAD
OCALA, FL 34470

SHEET TITLE
DETAILS

STATE OF FLORIDA
REGISTERED ARCHITECT
AR0016440

RELEASE

PROJECT NO.
2200355

DATE
12/17/2020

DRAWN
ZNR

CHECKED
Page 15 of 15

A7.1.1