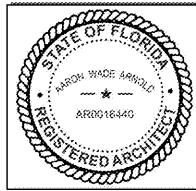


1925 Prospect Ave.
Orlando, FL 32814
P (407) 661-9100
P (407) 661-9101
www.cp.com
Florida Corporate Certificate #AA 008626

4
Cuhaci & Peterson
Architects Engineers Planners

CLIENT NAME
BLACKFIN PARTNERS INVESTMENTS, INC.
4400 PCA BLVD, SUITE 600
PALM BEACH GARDENS, FL 33410

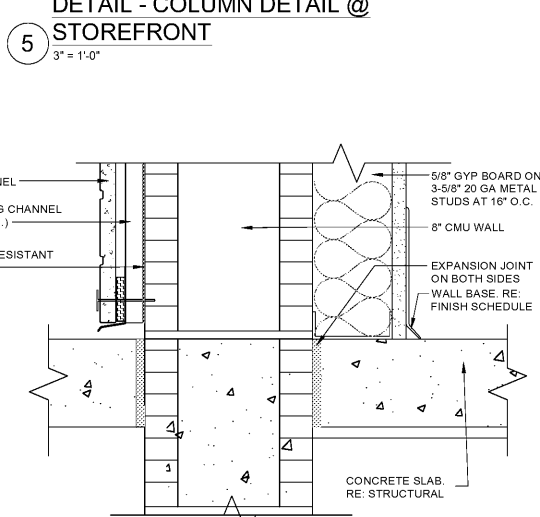
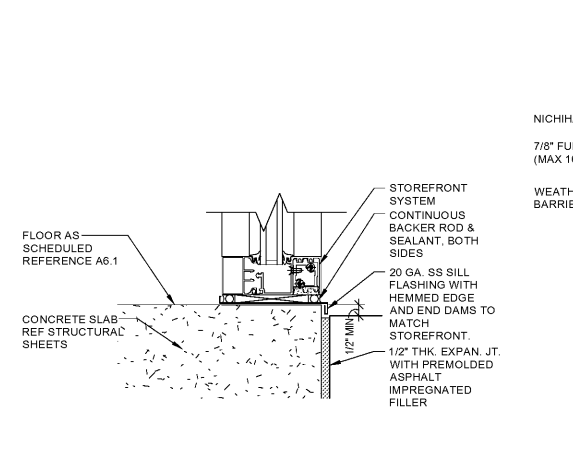
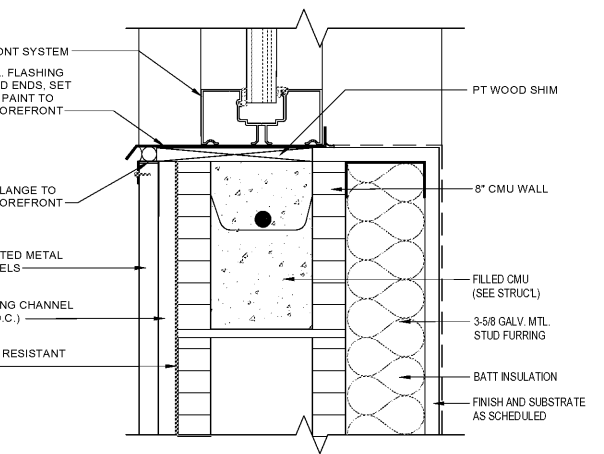
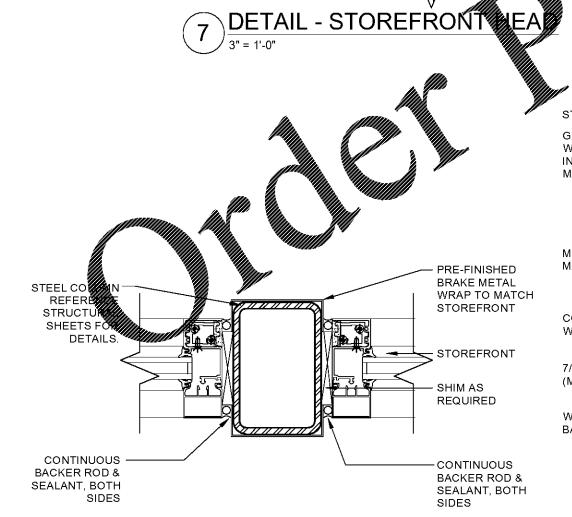
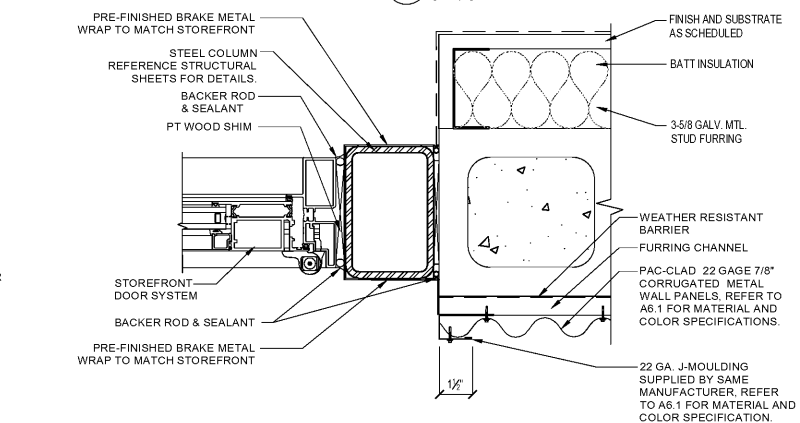
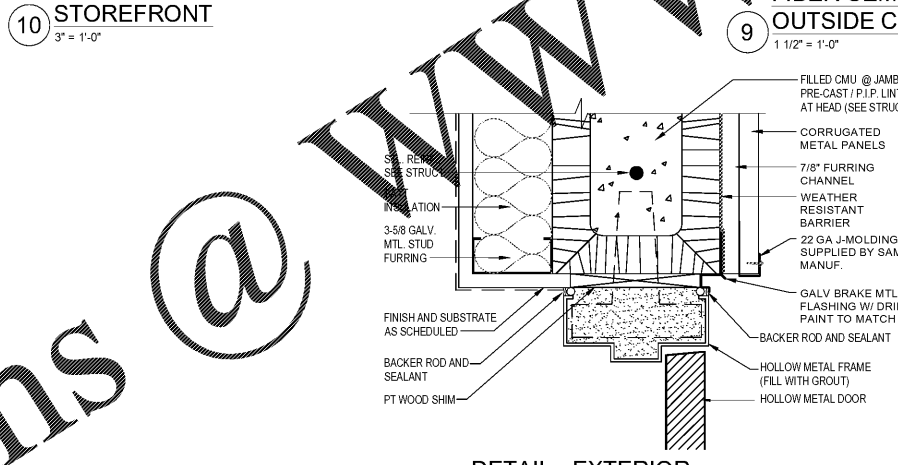
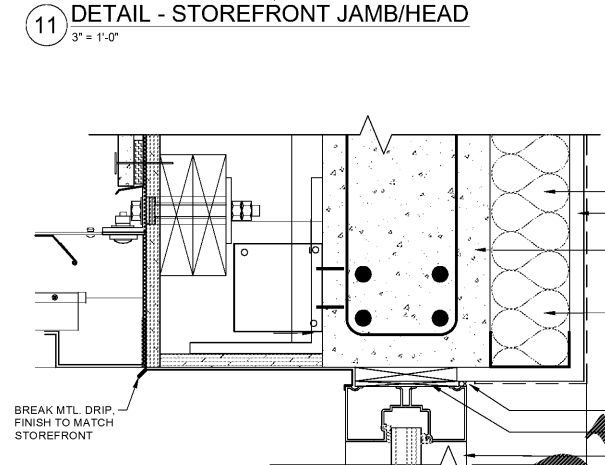
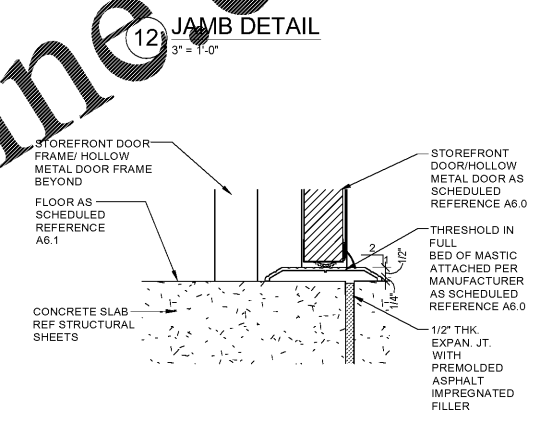
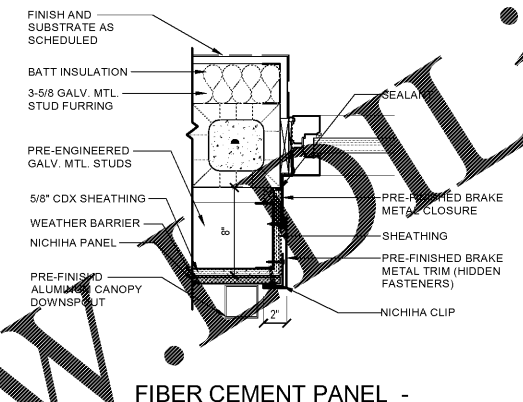
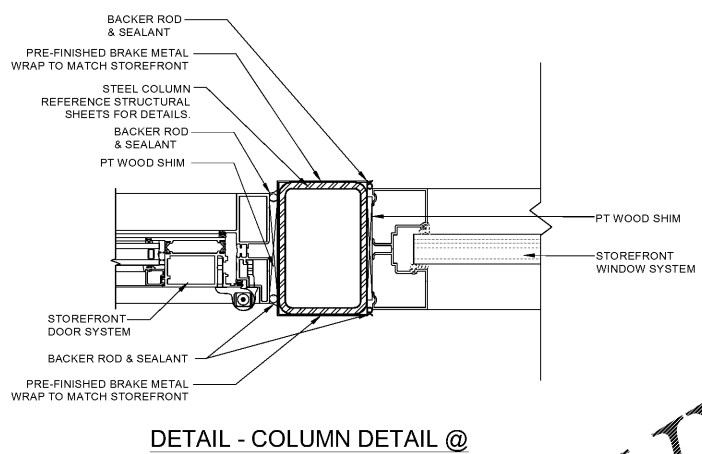
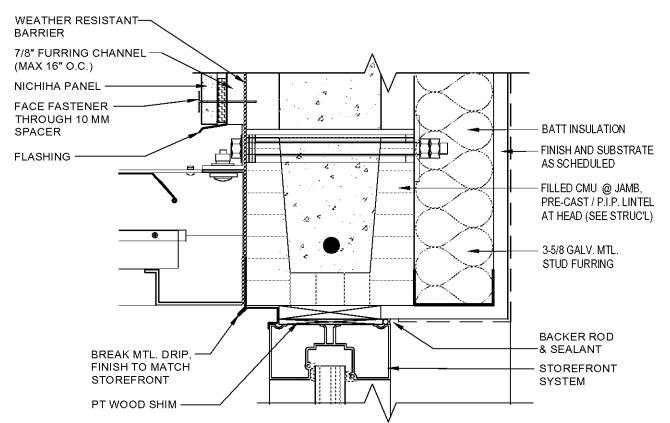
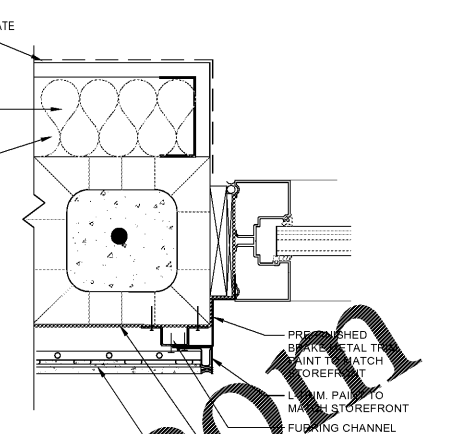
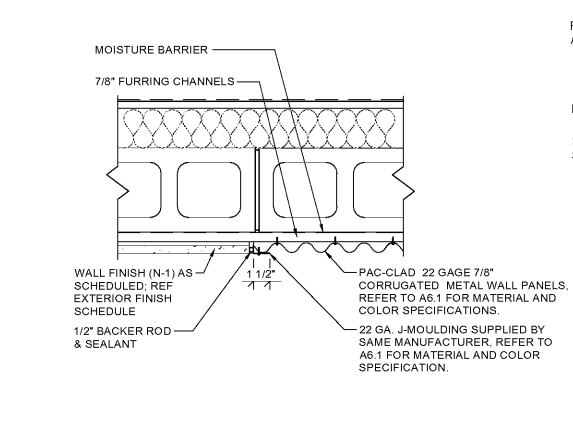
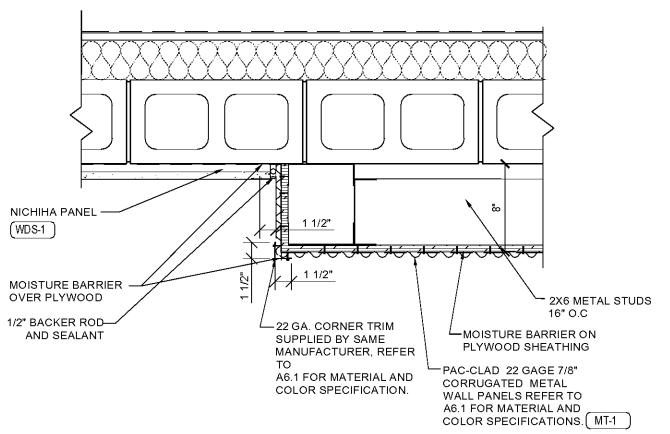
PROJECT NAME
7-ELEVEN #1795 - OCALA, FL
9000 BLOCK OF SE MARICAMP ROAD
OCALA, FL 34470



PROJECT NO.	220035
DATE	12/17/2020
DRAWN	JS
CHECKED	JS
Page Size	

RELEASE	

A7.0



Order Plans @

WWW.Online.com