

STOREFRONT SCHEDULE														
TYPE	INSULATING GLASS UNIT										FRAME	ORIENTATION	COMMENTS	
	OUTDOOR LITE	INDOOR LITE	AIR SPACE	SHGC	U-FACTOR	VT	SURFACE 1 (EXTERIOR)	SURFACE 2	SURFACE 3	SURFACE 4 (INTERIOR)				DARK BRONZE KAWNEER MODEL 45T CENTER GLAZED
A	6MM	6MM	1/2"	.25	.50	-	CLEAR	CLEAR	CLEAR	CLEAR 3M FILM	X	X	NORTH EAST	FL8787.2
B	6MM	6MM	1/2"	.25	.50	-	CLEAR	CLEAR	CLEAR	CLEAR 3M FILM	X	X	NORTH EAST	FL8787.2
C	6MM	6MM	1/2"	.25	.50	-	CLEAR	CLEAR	CLEAR	CLEAR 3M FILM	X	X	SOUTH WEST	FL8787.2
D	6MM	6MM	1/2"	.25	.50	-	CLEAR	CLEAR	CLEAR	CLEAR 3M FILM	X	X	SOUTH WEST	FL8787.2

NOTE: REFERENCE MATERIAL SPECIFICATIONS FOR 3M FILM REQUIREMENTS.

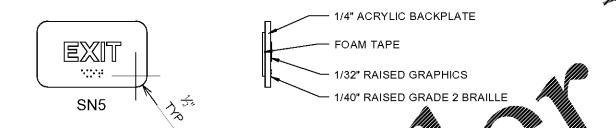
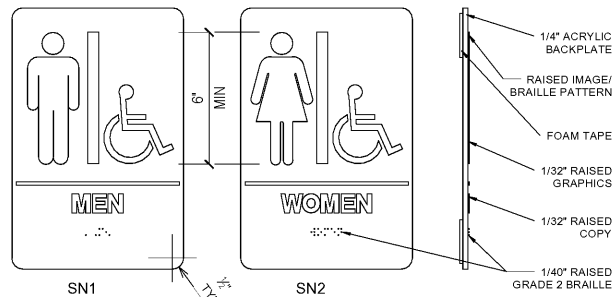
DOOR SCHEDULE													
DOOR NUMBER	ROOM NAME	DOOR TYPE	HARDWARE SET	WIDTH	HEIGHT	MATERIALS			DOOR NOTES	COMMENTS			
						DOOR THICKNESS	ALUMINUM & GLASS	HOLLOW METAL					
101A	MERCHANDISE	1	1	6'-0"	7'-0"	1 3/4"	X	X	TEMPERED GLASS LITES.				
103	OFFICE	4	4	3'-0"	7'-0"	1 3/4"	X	X	UNDERCUT DOOR 3/4"				
104	BACK ROOM	3	3	3'-0"	7'-0"	1/2"	X	X	MUELLER DOUBLE ACTING DOOR - ITEM #914 ON EF-1				
105	WOMEN	5	5	3'-0"	7'-0"	1 3/4"	X	X					
106	MEN	5	5	3'-0"	7'-0"	1 3/4"	X	X					
107A	ELECTRICAL	6	6	7'-0"	7'-0"	1 3/4"	X	X					
107B	ELECTRICAL	6	6	7'-0"	7'-0"	1 3/4"	X	X					
107C	ELECTRICAL	6	6	7'-0"	7'-0"	1 3/4"	X	X					
111	UTILITY	3	7	3'-6"	7'-0"	1 3/4"	X	X					
113	MERCHANDISE	2	2	3'-0"	7'-0"	1 3/4"	X	X	TEMPERED GLASS LITES.				

NOTES:
 1. DOORS #101A AND #113 SHALL HAVE EXITING AT ALL TIMES WHO THE USE OF A KEY.
 2. REFERENCE DETAIL 12/A7.0 FOR INTERIOR NON-LOAD BEARING PARTITION HEADER SCHEDULE.
 3. COAT HOOKS PROVIDED BY 7-11 AND TO BE INSTALLED BY GC.
 4. DO NOT INSTALL 3M FILM ON STOREFRONT DOOR IGI.

DOOR HARDWARE SCHEDULE - DOOR HARDWARE (EXCLUDING KAWNEER) FURNISHED AND INSTALLED BY GC			
HARDWARE SET NO. 1 (ENTRY DOOR)			
HARDWARE LISTED BELOW IS INCLUDED WITH KAWNEER STOREFRONT AND DOORS ORDER. SEE CONTACT INFORMATION BELOW.			
1-1/2 PAIR BUTTS (3 PER LEAF) STANDARD BUTT HINGES (3 PER LEAF)			
ADAMS-RITE M50A DEADLOCK WITH 1-3/4" (29.4) DIAMETER 5 PIN CYLINDERS (ACTIVE LEAF)			
ADAMS-RITE #4085 THREE-POINT LOCK WITH EXIT LOCK INDICATOR & SIGNAGE			
KAWNEER CO-9 / CP SINGLE ACTING PUSH & PULL HARDWARE, US32D FINISH			
NORTON 1601 SURFACE CLOSE, WITH BACKCHECK, WITHOUT HOLD OPEN			
KAWNEER STANDARD 1/2" X 4" MILL FINISH ALUMINUM THRESHOLD			
HARDWARE SET KAWNEER CONTACT INFO.			
CONTACT: CHERYL WILKERSON - CHERYL.WILKERSON@ARCONIC.COM 317.771.9263 P			
STOREFRONT CONTRACTOR SHALL CONTACT CHERYL WILKERSON AND REQUEST 7-ELEVEN NATIONAL PRICING.			
HARDWARE SET NO. 2 (REAR EXIT)			
HARDWARE LISTED BELOW IS INCLUDED WITH KAWNEER STOREFRONT AND DOORS ORDER. SEE CONTACT INFORMATION BELOW.			
1-1/2 PAIR KAWNEER STANDARD BUTT HINGES (3 PER LEAF)			
ADAMS-RITE #4085 THREE-POINT LOCK W/ EXIT LOCK INDICATOR & SIGNAGE			
KAWNEER CO-9 / CP SINGLE ACTING PUSH & PULL HARDWARE, US32D FINISH			
NORTON 1601 SURFACE CLOSE, WITH BACKCHECK, WITHOUT HOLD OPEN			
KAWNEER STANDARD 1/2" X 4" MILL FINISH ALUMINUM THRESHOLD			
HARDWARE SET NO. 3 (BACKROOM)			
ITEM #915 ON EF-1	MUELLER DOOR CORPORATION - PROVIDED BY 7-ELEVEN, INSTALLED BY GC		
HARDWARE SET NO. 4 (OFFICE)			
1-1/2 PAIR BUTTS	TA2714 4-1/2" X 4-1/2" NRP 26D	MCKINNEY	
1 EA. LOCK SET W/ DEAD BOLT & THUMB LATCH	4608L W/D212	YALE	
1 EA. STOP	FS13 W/ R14 RISER 26D	IVES	
2 EA. DOOR VIEWER	U-10348	DEFENDER SECURITY	
1 EA. CLOSER	4031 HEAVY DUTY AL	UNIVERSAL HARDWARE	
2 EA. COAT HOOK	8425	ASI PROVIDED BY 7-ELEVEN, INSTALLED BY G.C.	
HARDWARE SET NO. 5 DOOR (RESTROOM)			
1-1/2 PAIR BUTTS	TA2714 4-1/2" X 4-1/2" NRP 26D	MCKINNEY	
1 EA. PUSH/PULL	8305 / 8200 = (3/12X15)	IVES (STAINLESS STEEL)	
1 EA. CLOSER	4031 HEAVY DUTY AL	UNIVERSAL HARDWARE	
1 EA. STOP	FS13 W/ R14 RISER 26D	IVES	
1 EA. KICK PLATE	34" X 30" 0.050	BRUSHED STAINLESS STEEL - PUSH SIDE ONLY	
HARDWARE SET NO. 6 (ELECTRICAL)			
6 HINGES	TA23NRP	U526D	MCKINNEY
1 LOCKSET	8251 LNJ	U532D	SARGENT
2 SURFACE BOLTS	988	ZINC	SARGENT
1 DOOR CLOSER	1431 PS	EN	SARGENT
1 OVERHEAD STOP/HOLD	9-426	630	RISON
1 THRESHOLD	2005AT X LAR	AL	PEMCO
1 GASKETING	319CR X LAR	AL	PEMCO
1 RAIN DRIP	346C + 4" LAR	AL	PEMCO
HARDWARE SET NO. 7 (UTILITY)			
ITEM #3087 ON EF-1	MUELLER DOOR CORPORATION - PROVIDED BY 7-ELEVEN, INSTALLED BY GC		

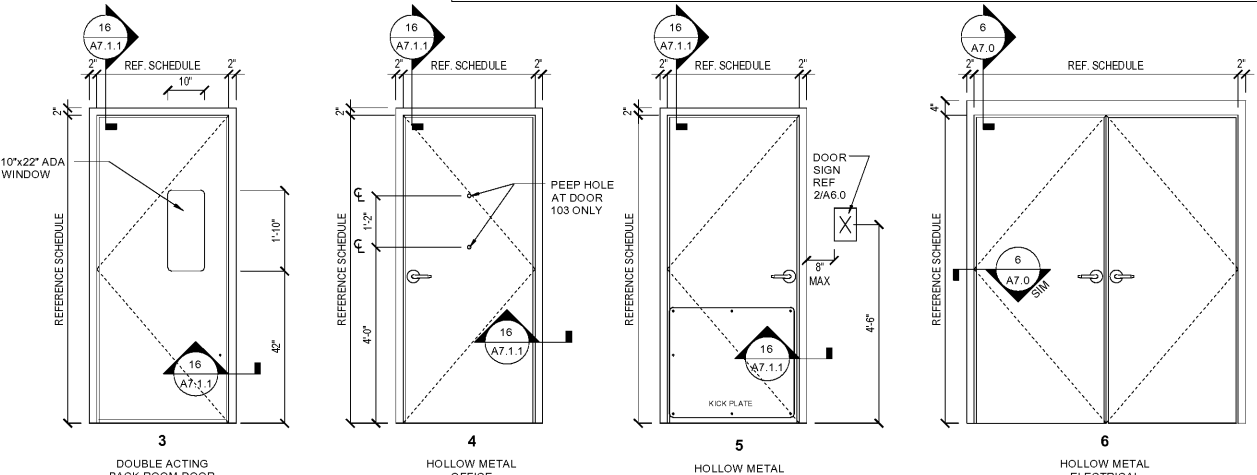
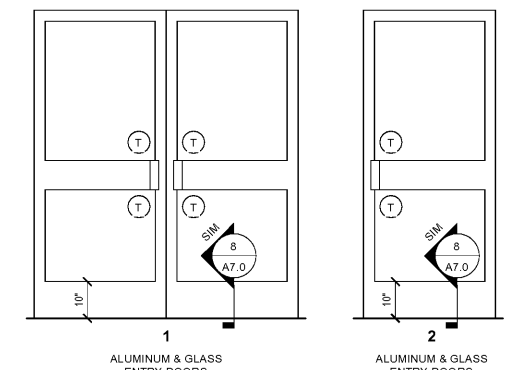
PRODUCT APPROVAL SCHEDULE					
MANUFACTURER	MODEL #	CAT	SUBCAT	FLORIDA #	COMMENTS
KAWNEER	IR350 MEDIUM STILE DOORS	EXT. DOOR	SWINGING	FL8786.3	KAWNEER 350 SINGLE ACTION OR EQUAL 1 1/4" LARGE MISSILE IMPACT, INSULATED, LOW-E GLAZING PER CODE MINIMUM U-FACTOR .5 & SHGC .25
KAWNEER	KAWNEER IR501	STOREFRONT PANEL WALLS	SKYLIGHT	FL8787.2	KAWNEER IR501 OR EQUAL 1 1/4" LARGE MISSILE IMPACT, INSULATED, LOW-E GLAZING PER CODE MINIMUM U-FACTOR .5 & SHGC .25
DURO-LAST ROOFING INC.	DURO-LAST	ROOFING	SINGLEPLY ROOF SYSTEMS	FL1559-R13 FL1559.1	40 MIL PVC ROOFING SYSTEM W/ R-25 (MIN.) RIGID INSUL.
CURRIES DIV OF AADD INC.	07	EXTERIOR DOORS	SWINGING EXT. DR ASSEMBLIES	FL8394-R5 FL8394.1 THRU FL8394.6	SINGLE OR PAIRED FLUSH HOLLOW METAL DRs WITH VARIOUS HARDWARE CONFIGURATIONS, WITH OR WITHOUT LOUVERS (SEE DOOR HARDWARE SCHEDULE) LARGE AND SMALL MISSILE IMPACT RESISTANT
SUNOPTIC PRISMATIC LIGHTS	8000	SIGNAGE	SKY LIGHTS	FL14086-R3 FL14086.1	CURB MOUNTED SKYLIGHT W/ ALUMINUM FRAME HVHZ APPROVED DOUBLE GLAZED POLYCARBONATE
NICHHA USA, INC.	NICHHA	PANEL WALLS	SIDING	FL12098-R8 FL12098.2	PANELS ARE AVAILABLE IN 4-FOOT WIDTHS AND 3 LENGTHS; 8', 10', AND 12'. ALL PANELS ARE 5/8" THICK
PETERSEN ALUMINUM CORP		CORRUGATED PANELS	SIDING	FL23225-R2 FL23225.1	24 GAUGE STEEL, .032" ALUMINUM

Products itemized above have been selected by design professional as appropriate for this project. If the General Contractor obtains approval to substitute alternate products, it is his responsibility to provide appropriate documentation to the authority having jurisdiction. Such procedures will be at no additional cost to Owner.



RESTROOM/EXIT SIGNAGE SPECIFICATIONS

- LETTERS AND NUMERALS SHALL BE RAISED 1/32" PER CHARACTER. SIGNS SHALL BE OF A SIMILAR SERIF TYPE AND SHALL BE ACCOMPANIED WITH GRADE 2 BRAILLE. RAISED CHARACTERS SHALL BE AT LEAST 5/8" HIGH, BUT NO HIGHER THAN 2". PICTOGRAMS SHALL BE ACCOMPANIED BY THE EQUIVALENT VERBAL DESCRIPTION PLACED DIRECTLY BELOW THE PICTOGRAMS. THE BORDER DIMENSION OF THE PICTOGRAM SHALL BE 6" MINIMUM IN HEIGHT.
- THE CHARACTERS AND BACKGROUND SIGNS SHALL BE EGGSHELL, MATTE, OR OTHER NON-GLARE FINISH. CHARACTERS AND SYMBOLS SHALL CONTRAST WITH THEIR BACKGROUND - EITHER LIGHT CHARACTERS ON A DARK BACKGROUND OR DARK CHARACTERS ON A LIGHT BACKGROUND.
- WHERE PERMANENT IDENTIFICATION IS PROVIDED FOR ROOMS AND SPACES, SIGNS SHALL BE INSTALLED ON THE WALL ADJACENT TO THE LATCH SIDE OF THE DOOR. WHERE THERE IS NO WALL SPACE TO THE LATCH SIDE OF THE DOOR, INCLUDING DOUBLE LEAF DOORS, SIGNS SHALL BE PLACED ON THE NEAREST ADJACENT WALL. MOUNTING HEIGHT SHALL BE 48" A.F.F. TO THE CENTERLINE OF THE SIGN. MOUNTING LOCATION FOR SUCH SIGNAGE SHALL BE SO THAT A PERSON MAY APPROACH WITHIN 3' OF SIGNAGE WITHOUT ENCOUNTERING PROTRUDING OBJECTS OR STANDING WITHIN THE SWING OF A DOOR.



2 RESTROOM / EXIT WALL SIGNAGE & SYMBOLS N.T.S.

1 DOOR FRAMES 1/2" = 1'-0"

1925 Prospect Ave.
 Orlando, FL 32814
 P (407) 661-9100
 P (407) 661-9101
 www.ep.com
 Florida Corporate Certificate #AA 008626

4
Enhaci & Peterson
 Architects Engineers Planners

CLIENT NAME
BLACKFIN PARTNERS INVESTMENTS, INC.
 4400 PCA BLVD, SUITE 600
 PALM BEACH GARDENS, FL 33410

PROJECT NAME
7-ELEVEN #1795 - OCALA, FL
 9000 BLOCK OF SE MARICAMP ROAD
 OCALA, FL 34470



PROJECT NO.	220085
DATE	12/17/2020
DRAWN	JSZR
CHECKED	Peter Cruz

RELEASE

A6.0