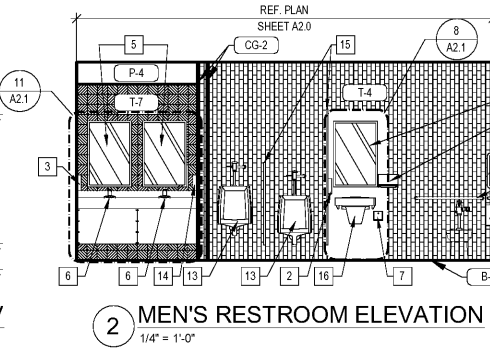
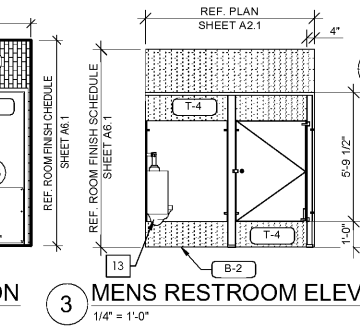
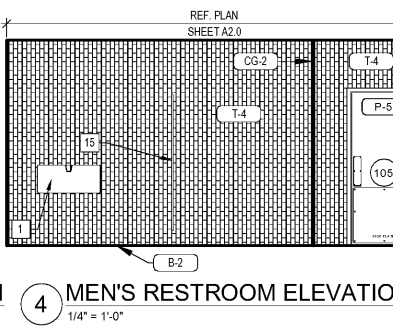
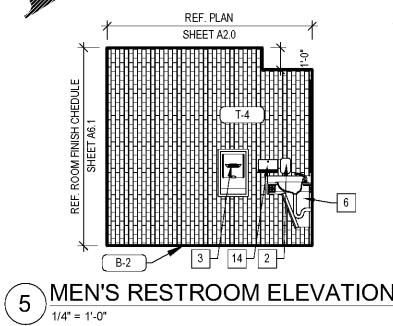
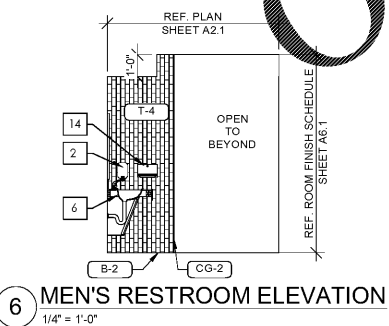
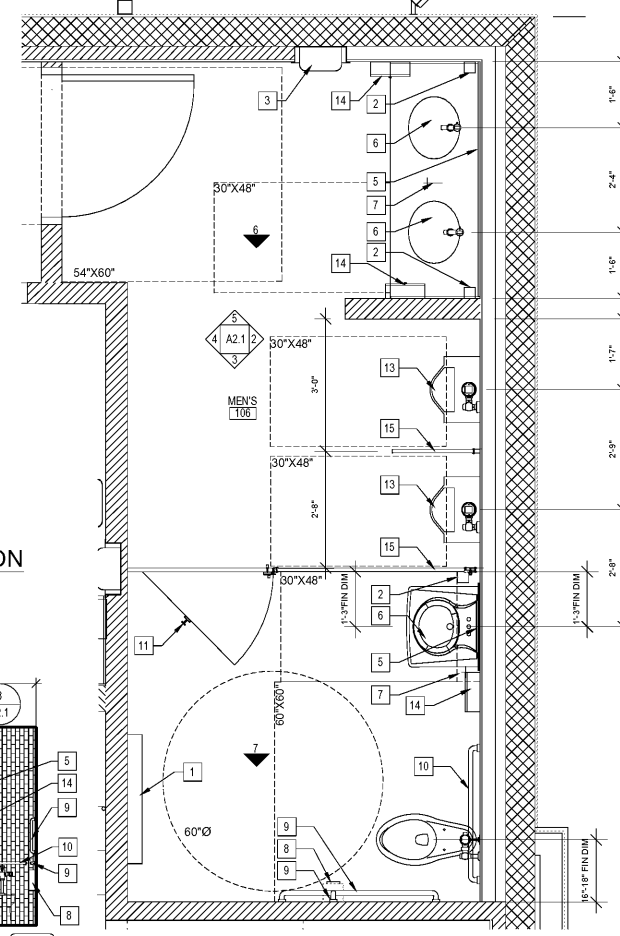
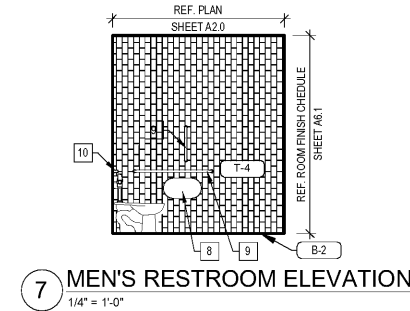
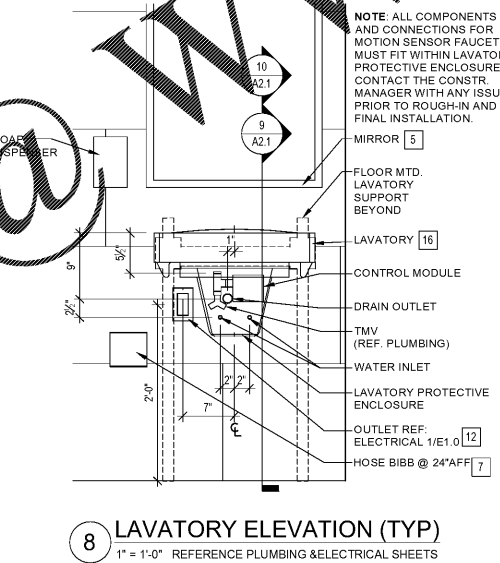
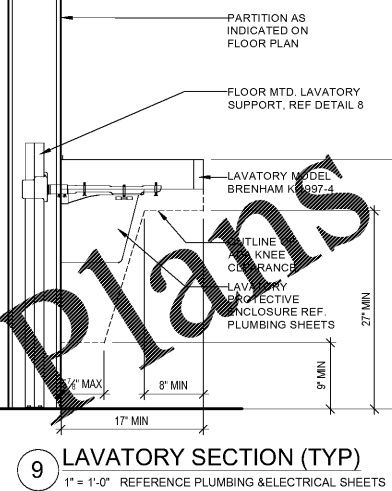
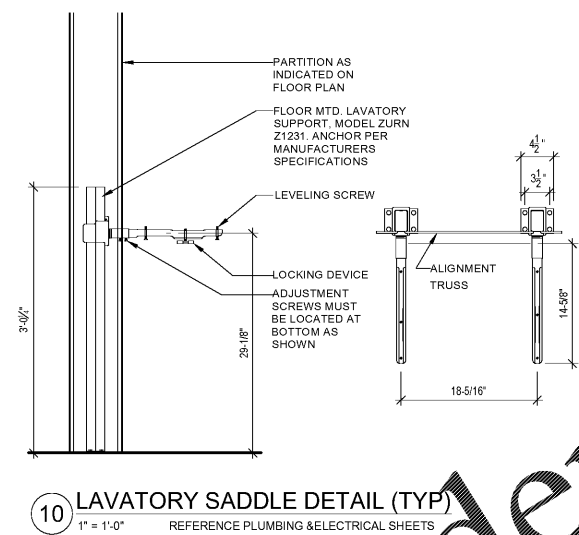
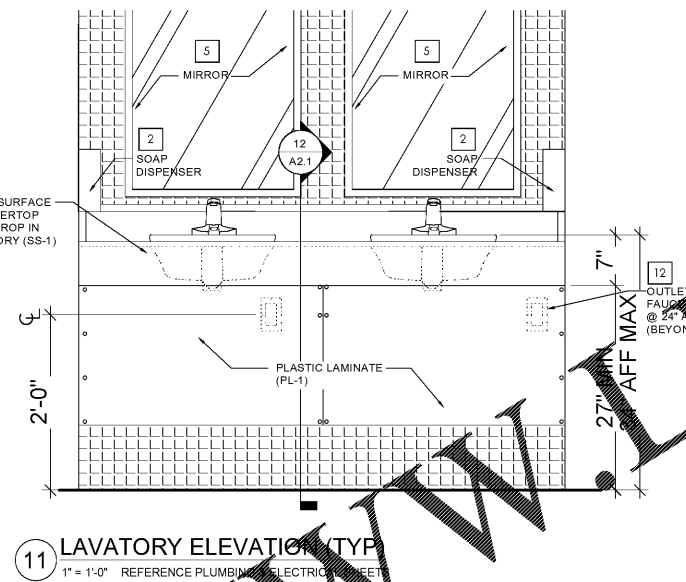
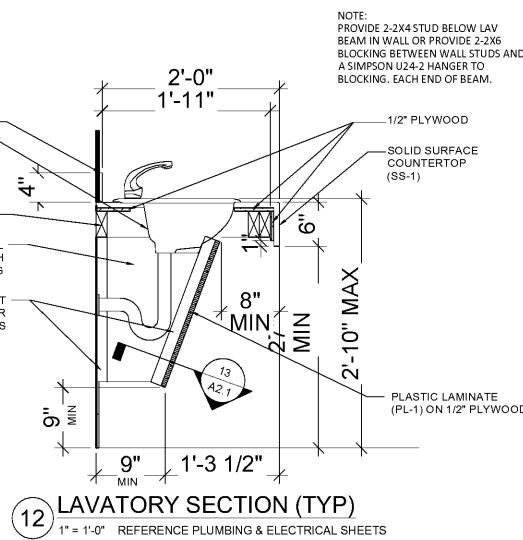
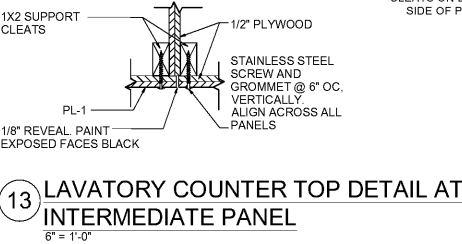


KEY NOTE DETAILS (NOT ALL ACCESSORIES MAY BE USED. REFER TO ENLARGED RESTROOM PLAN FOR LOCATION)															
1	2	3	4	5	6	7	8	9	10	11	12	13	14	15	16
BABY CHANGING STATION	SOAP DISPENSER	ELECTRIC HAND DRYER W/ RECESS KIT	ELECTRIC HAND DRYER	RESTROOM MIRROR	LAVATORY	HOSE BIBB	TOILET PAPER DISPENSER	42" GRAB BAR / 18" VERTICAL GRAB BAR	36" GRAB BAR	COAT HOOK	OUTLET FOR FAUCET SENSOR	URIANALS	PAPER TOWEL DISPENSER	TOILET PARTITION	LAVATORY
NOTES								** TO TOP OF GRIPPING SURFACE	** TO TOP OF GRIPPING SURFACE						



1 ENLARGED RESTROOM PLAN
1/2" = 1'-0"

- GENERAL NOTES
- REFERENCE ALL ACCESSORY MOUNTING SCHEDULE FOR MOUNTING DIMENSIONS OF ALL ACCESSORIES.
 - PROVIDE 2X4 WOOD BLOCKING FOR ALL WALL MOUNTED PLUMBING FIXTURES, GRAB BARS, CABINETS, HANGERS, TOILET ACCESSORIES, ETC.
 - TOILET FIXTURE TO BE MOUNTED 16"-18" FROM FINISHED WALL TO CENTERLINE OF TOILET FIXTURE.
 - ELECTRIC HAND DRYER
 - CONTROLS FOR FLUSH VALVES SHALL BE MOUNTED ON THE WIDE SIDE OF TOILET STALLS NO MORE THAN 44" AFF.
 - G.C. TO CAULK INSIDE CORNERS AND TOP OF TILE.
 - RESTROOM FLOOR COVERING TO COMPLY WITH LOCAL CODES.
 - HOT WATER & DRAIN PIPES EXPOSED UNDER SINKS SHALL BE INSULATED OR OTHERWISE CONFIGURED SO AS TO PROTECT AGAINST CONTACT. THERE SHALL BE NO SHARP OR ABRASIVE SURFACES UNDER SINKS.
 - FILLET GROUT LINES ARE TO BE USED AT WALL AND CEILING LOCATIONS WHERE THE TILE MEETS DRYWALL. MAXIMUM THICKNESS OF 1/4".

Order Plans @ WWW.LDILine.com

1925 Prospect Ave.
Orlando, FL 32814
P (407) 661-9100
P (407) 661-9101
www.op.com
Florida Corporate Certificate #AA 0066236

4
Cuhaci & Peterson
Architects Engineers Planners

CLIENT NAME
BLACKFIN PARTNERS INVESTMENTS, INC.
4400 PCA BLVD, SUITE 600
PALM BEACH GARDENS, FL 33410

PROJECT NAME
7-ELEVEN #1795 - OCALA, FL
9000 BLOCK OF SE MARICAMP ROAD
OCALA, FL 34470

SHEET TITLE
ENLARGED RESTROOM PLAN & DETAILS

STATE OF FLORIDA
REGISTERED ARCHITECT
ARCHITECT
880916440

PROJECT NO.	220085
DATE	12/17/2020
DRAWN	AL ZIR
CHECKED	AL ZIR
PAGE	10 of 10

A2.1