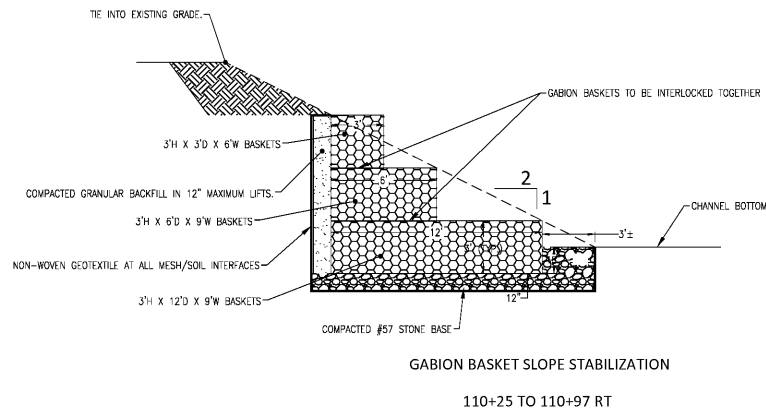


D-1 RIP RAP DETAIL NOT TO SCALE

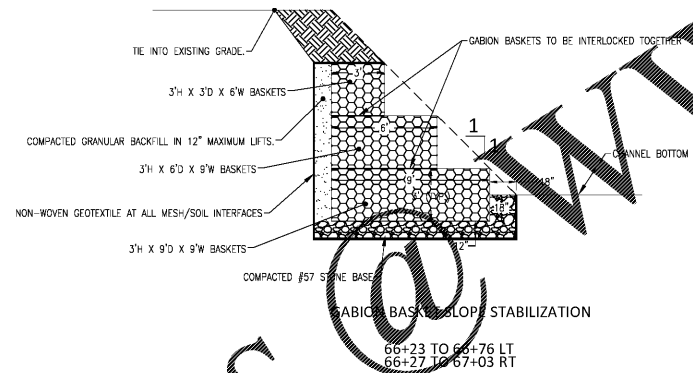


GABION BASKET SLOPE STABILIZATION
110+25 TO 110+97 RT

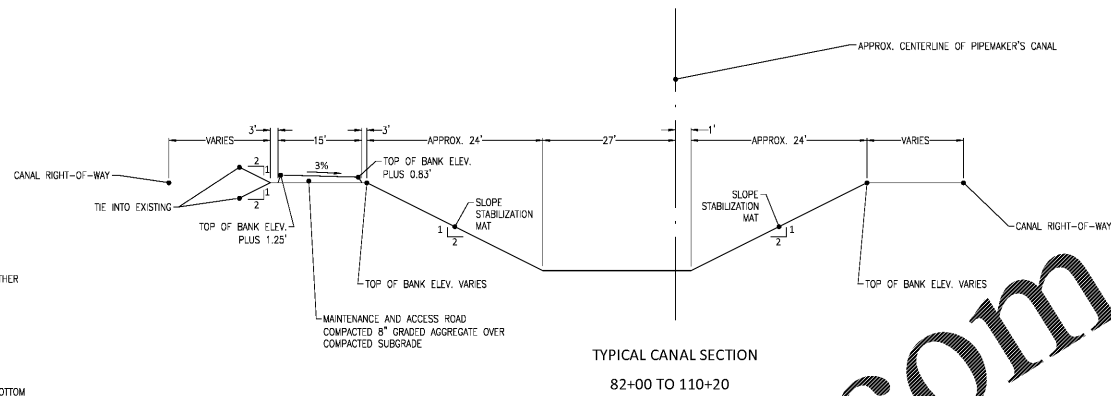
GABION CONSTRUCTION NOTES:

BASKET FABRICATION - ASTM A-641, ASTM A641-92 GALVANIZED STEEL WIRE MESH OF TRIPLE TWIST WEAVE HAVING MESH OPENING SIZE OF NO LARGER THAN 4.5 INCH BY 4.5 INCH. NETTING WIRE AND BINDING WIRE IS APPROX. 0.009 IN DIAMETER. THE WIRE FOR EDGES AND CORNERS IS APPROX. 0.009 IN DIAMETER. DUE TO THE POSSIBILITY OF SALT WATER EXPOSURE THE GALVANIZED WIRE BASKETS SHALL HAVE A POLYVINYL CHLORIDE (PVC) COATING. MAY BE SAFELY USED IN WATER OR WHERE THE PH OF THE LIQUID IS

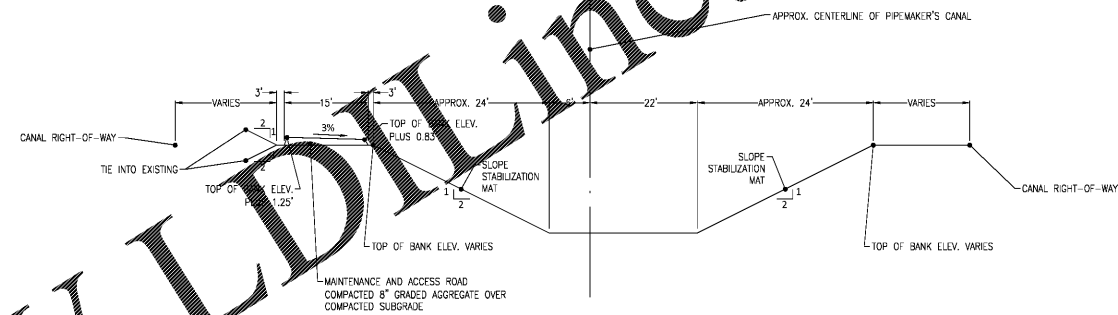
STONE SIZE - 8" D50 GDOT RIP RAP
GEOTEXTILE FABRIC - MIRAFI 1100N OR EQUAL



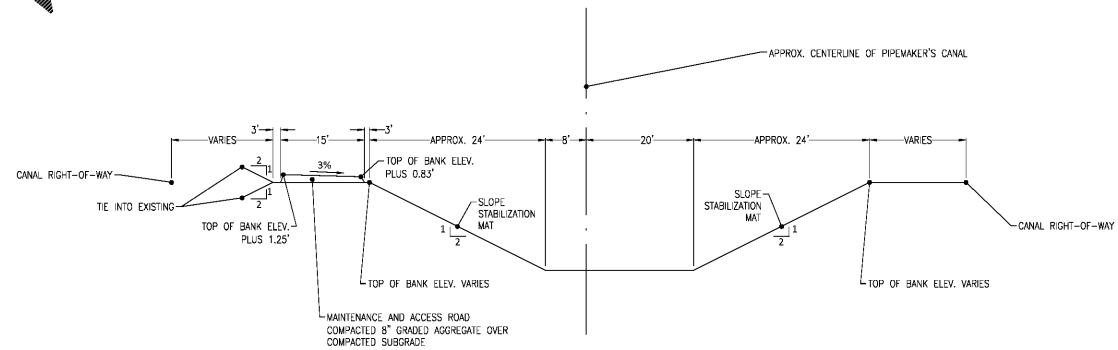
GABION BASKET SLOPE STABILIZATION
66+23 TO 69+76 LT
66+27 TO 67+03 RT



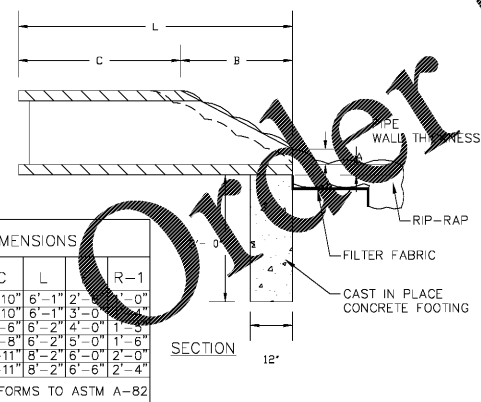
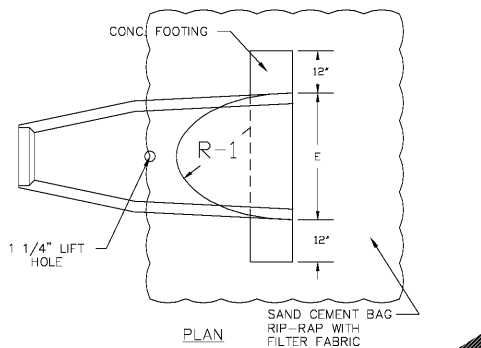
TYPICAL CANAL SECTION
82+00 TO 110+20



TYPICAL CANAL SECTION
68+20 TO 81+00



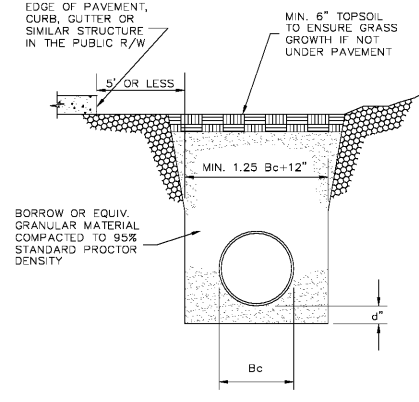
TYPICAL CANAL SECTION
112+00 TO 147+20



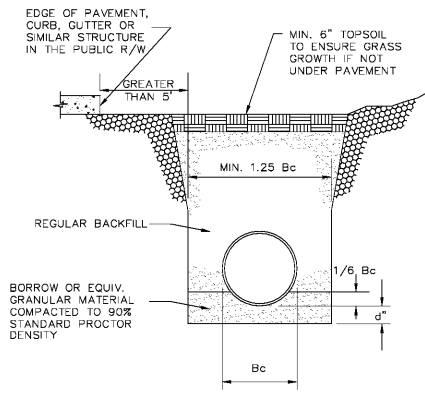
FLARE DIMENSIONS					
PIPE DIA.	A	B	C	L	R-1
15"	6"	2'-3"	5'-10"	6'-1"	2'-0"
18"	9"	2'-3"	5'-10"	6'-1"	3'-0"
24"	10"	3'-8"	2'-6"	6'-2"	4'-0"
30"	12"	4'-6"	1'-8"	6'-2"	5'-0"
36"	16"	5'-3"	2'-11"	8'-2"	6'-0"
42"	21"	5'-3"	2'-11"	8'-2"	6'-4"

REINFORCEMENT CONFORMS TO ASTM A-82

D-16 FLARED END SECTION DETAIL
Coleman Company, Inc.



WITHIN 5' OF EDGE OF PAVEMENT
REINFORCED CONCRETE PIPE (RCP) TRENCH DETAIL



GREATER THAN 5' FROM EDGE OF PAVEMENT
REINFORCED CONCRETE PIPE (RCP) TRENCH DETAIL



COLEMAN COMPANY
ENGINEERS - SURVEYORS
Savannah, Georgia | (912) 260-3841 | CCI-SAV.COM

RELEASED FOR CONSTRUCTION

GEORGIA REGISTERED PROFESSIONAL ENGINEER
No. 031215
FRANK G. COLEMAN

REVISIONS:

CIVIL CONSTRUCTION PLANS FOR
PIPE MAKER'S CANAL IMPROVEMENTS
LOCATED IN POOLER, GA
PREPARED FOR CITY OF POOLER

JOB NUMBER: 20-265
DATE: 06/05/20
DRAWN BY: RAR
CHECKED BY: TGB
SCALE: AS NOTED

DETAILS
SHEET:
C6.0