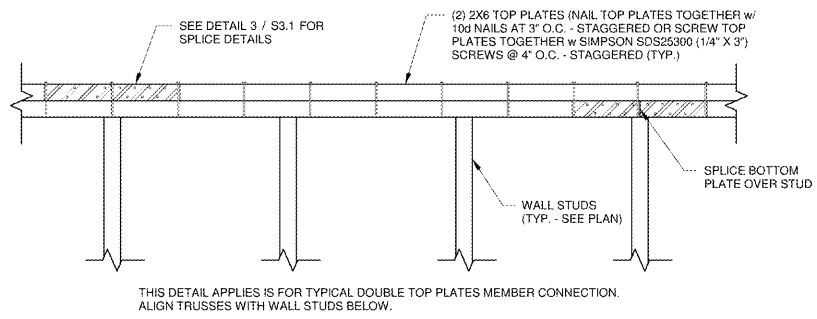
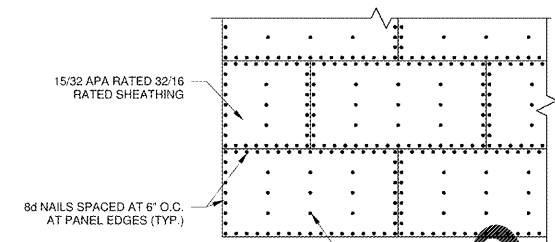


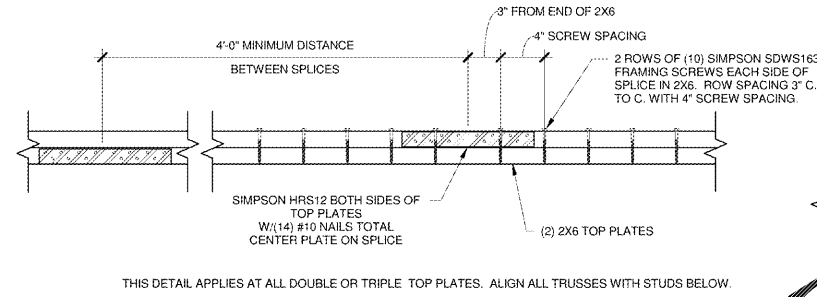
**1 EXTERIOR SHEAR WALL FRAMING ELEVATION**  
S3.1 1/4" = 1'-0"



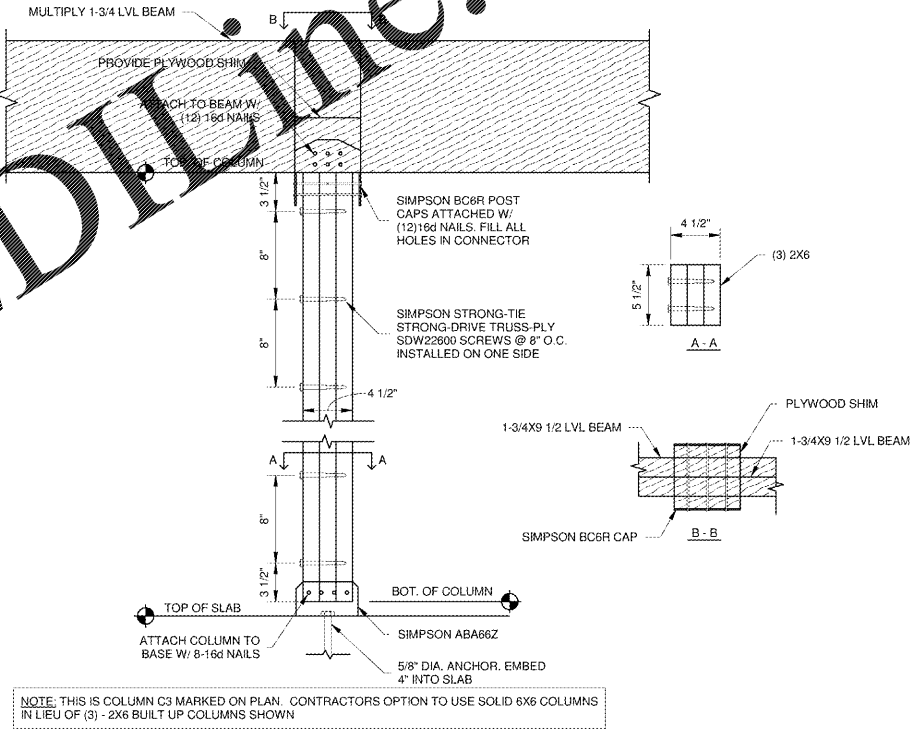
**2 TYP. TOP PLATE DETAIL**  
S3.1 1 1/2" = 1'-0"



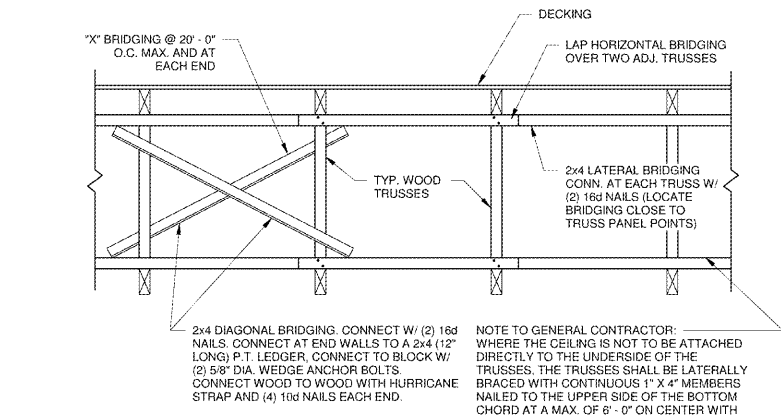
**4 ROOF DIAPHRAGM NAILING PATTERN**  
S3.1 1/4" = 1'-0"



**3 TOP PLATE SPLICE DETAIL**  
S3.1 1 1/2" = 1'-0"



**8 BUILT UP COLUMN DETAIL 3**  
S3.1 1 1/2" = 1'-0"



**5 BRIDGING DETAIL**  
S3.1 1" = 1'-0"

Order Plans @ www.LDOnline.com



**CHIPOTLE AT CARTERSVILLE**  
E. MAIN STREET  
CARTERSVILLE, GA. 30121

NO.	DATE	DESCRIPTION

**FRAMING SECTIONS & DETAILS**

DATE: 09/16/20  
PROJECT NUMBER: 19303  
SHEET NUMBER: S3.1